

A I R L I N E



For Air preparation Norgren offers you modular and non modular ranges including our new Excelon® Pro Series, air and water pressure regulators, ranges in stainless steel, etc. Visit www.norgren.com and access our on line tools and additional information on air line equipment, including our dedicated site for Excelon® Pro www.norgren.com/pro. Or simply go to the web address printed under the on line icons at the bottom of the following air line product pages.



MODULAR AIR PREPARATION UNITS

EXCELON® PRO
Rapid assembly
system, general
purpose

**Shut off valve, filter /
regulator and
lubricator**
BL92
Ø 8 mm
G1/4



Page 6-010

General purpose filter
F92G
Ø 8 mm
G1/4



Page 6-014

Coalescing filter
F92C
Ø 8 mm
G1/4



Page 6-017

Regulator
R92G
Ø 8 mm
G1/4



Page 6-020

Filter / regulator
B92G
Ø 8 mm
G1/4



Page 6-022

Lubricator (oil-fog)
L92C
Ø 8 mm
G1/4



Page 6-026

Lockout / shut-off valve
T92
G1/8 ... G3/8



Page 6-028

**Shut off valve, filter/regulators
and lubricators**
BL72, BL73, BL74
G1/4 ... G1/2



Page 6-031

General purpose filters
F72G, F73G, F74G
G1/4 ... G3/4



Page 6-034

Oil removal filters
**F72C, F73C,
F74C, F74H**
G1/4 ... G3/4



Page 6-036



EXCELON®
Quikclamp system,
general purpose

AIRLINE

MODULAR AIR PREPARATION UNITS



EXCELON®
Quikclamp
 system, general
 purpose

Oil vapour removal filters
F72V, F74V
 G1/4 ... G3/4



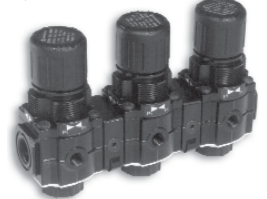
Page 6-038

Pressure regulators
R72G, R73G, R74G
 G1/4 ... G3/4



Page 6-040

Manifold regulators
R72M, R74M
 G1/4, G3/8



Page 6-042

Filter/regulators
B72G, B73G,
B74G
 G1/4 ... G3/4



Page 6-044

Lubricators
L72, L73, L74
 G1/4 ... G3/4



Page 6-046

Pressure relief valves
V72G, V74G
 G1/4 ... G3/4



Page 6-048

Soft start/dump valves
P72F, P74F
 G1/4 ... G3/4



Page 6-050

**Soft start monitored
 dump valve**
P74S
 G1/4 ... G3/4



Page 6-052

**Solenoid operated control
 valves**
P72C, P74C
 G1/4 ... G3/8



Page 6-054

Membrane driers
W72M, W74M
 G1/4, G1 1/2



Page 6-056

MODULAR AIR PREPARATION UNITS

Olympian plus
plug-in system,
general purpose

**Shut off valve, filter/regulators
and lubricators**
BL64, BL68
G1/2 ... G1



Page 6-059

General purpose filters
F64G, F68G
G1/4 ... G1 1/2



Page 6-063

**High efficiency oil removal
filters**
F64C/H, F68C/H
G1/4 ... G1



Page 6-065

**High efficiency
oil/oil vapour
removal filters**
F64B/L, FFV68
G1/4 ... G1



Page 6-068

Breathing air sets
FFB64
G1/4 ... G3/8



Page 6-070

Pressure regulators
R64G, R68G
G1/4 ... G1 1/2



Page 6-076

Filter/regulators
B64G, B68G
G1/4 ... G1 1/2



Page 6-072

Lubricators
L64, L68
G1/4 ... G1 1/2



Page 6-078

Soft start/dump valves
P64F, P68F
G1/4 ... G1 1/2



Page 6-080

**Soft start monitored
dump valve**
P64S
G1/4 ... G3/4



Page 6-082

Pressure relief valves
V64H, V68H
G1/4 ... G1



Page 6-086

**Coalescing exhaust
silencers**
CS13 & 15
G1/4 ... G1 1/2



Page 6-140

AIRLINE

COMPACT RANGE

Miniature
units, general
purpose

**Filter/regulators and
lubricators
P1H**
G1/8, G1/4



Page 6-088

**General purpose filters
F07**
G1/8 ... G1/4



Page 6-090

**Oil Removal
filter
F39**
G1/8 ... G1/4



Page 6-092

**Pressure regulators
R07**
G1/8 ... G1/4



Page 6-094

**Filter/regulators
B07**
G1/8, G1/4



Page 6-096

**Lubricators
L07**
G1/8 ... G1/4



Page 6-098

**Pressure relief valves -
diaphragm type
V07**
G1/8 ... G1/4"



Page 6-100

**Membrane drier
W07M**
G1/4



Page 6-101

LARGE FLOW

Main line and
general purpose
ported units

General purpose filters

F17, F18
G3/4 ... G2



Page 6-102

Oil removal filter

F47
G1 1/2, G2



Page 6-106

Pilot operated
pressure regulator

R18
G1 1/2, G2



Page 6-116

General purpose
lubricators

L17
G3/4, G1



Page 6-104

General purpose
lubricators

10-826
G2



Page 6-107

STAINLESS STEEL RANGE

General purpose

General purpose stainless
steel regulator
and filter /
regulator

R05, B05
1/4" NPTF



Page 6-132

General purpose
stainless steel
filter/regulator

B38
G1/2



Page 6-136

Ported stainless
steel equipment
Filters, pressure regulators,
lubricators

F22, R22, L22
1/2" NPTF



Page 6-134

Instrument

Stainless steel
regulator

R38
G1/4



Page 6-137

Stainless steel
filter/regulator

B38
G1/4



Page 6-137

A I R L I N E

SPECIAL PURPOSE REGULATOR RANGE

Proportional valves

VP50
G1/4
≤10 bar
1200 l/min



Page 4-018

VP51
G1/4
≤10 bar
1200 l/min



Page 4-024

Special purpose

High flow pressure regulator 20AG
G1/2, G1



Page 6-110

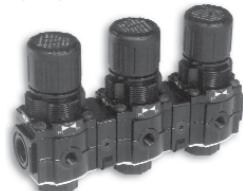
High flow & relief pressure regulator R24
G1/4 ... G1 1/4



Page 6-112

General purpose (Manifold)

Manifold regulators R72M, R74M
G1/4, G3/8, G1/2 and G3/4



Page 6-042

Manifold regulator R30M
8 & 10 mm



Page 6-114

Pilot operated

**Pressure regulator
11-808-960**
G3/4, G1



Page 6-116

**Pressure regulator
R18**
G1 1/2, G2



Page 6-116

Instrument

**Precision pressure
regulator
11-818**
G1/4



Page 6-118

**Pilot operated
pressure regulator
11400, 11-204**
G1/4



Page 6-120

**Precision
pressure regulator
R27**
G1/4



Page 6-122

**Water
pressure
regulators**

**Miniature pressure
regulator for non
potable water
R91G**
G1/4



Page 6-124

**Water regulators for
potable water
R91W, R06, R43,
11-809**
G1/8 ... G1



Page 6-126

AIRLINE

COMPLIMENTARY PRODUCTS

Diaphragm type pressure relief valves

Pressure relief valves - Diaphragm type V07
G1/8 ... G1/4"



Page 6-100

Pressure relief valves V72G, V74G
G1/4 ... G3/4



Page 6-048

Pressure relief valves V64H, V68H
G1/4 ... G1



Page 6-086

Pilot operated pressure relief valve 40AC
G3/4, G1



Page 6-129

Pop type pressure relief valves

Pressure relief valve 1002
R1/4



Page 6-130

Pressure relief valve 61B2
R1/4



Page 6-130

Pressure relief valve V05 (brass & plastic)
R1/4



Page 6-130

Other

Drip leg drain
17-816
G1/2



Page 6-139

Coalescing exhaust silencers
CS13 & 15
G1/4 ... G1 1/2



Page 6-140

Membrane driers
W07M, W72M,
W74M
G1/4 ... G1 1/2



Page 6-101

T-LOCKOUT (manual shut off valves)
CR14
1/2 ... 1 inch



Page 6-084

Sleeve valves (manual shut off valves)
M72
G1/8 ... G1/2



Page 6-143

EXCELON® PRO SERIES Combination unit

Shut off valve, filter/regulator and lubricator

BL92 - Ø 8 mm, G 1/4

BL92



Selected options provides ease of ordering
 Configuration flexibility
 Excellent value
 No tools required for assembly

TECHNICAL DATA

Medium:
 Compressed air

Operating pressure:
 Manual drain: 12 bar max.
 Auto drain: 10 bar max.

Ambient temperature:
 -20°C ... +52°C
 Consult our Technical Service for use below +2°C

Element:
 5 µm

Outlet pressure adjustment range:
 0,3 ... 10 bar

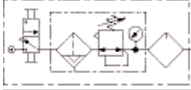



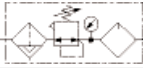



Drain:

Automatic drain operating conditions (float operated):
 Bowl pressure required to close drain: > 0,35 bar
 Bowl pressure required to open drain: ≤ 0,2 bar
 Minimum air flow required to close drain: 0,1 dm³/s (6 l/min)
 Manual operation: depress pin inside drain outlet to drain bowl

MATERIALS

Body: PBT
 Bonnet: PBT
 Valve elastomer: Geolast
 Diaphragm: Nitrile
 Transparent bowl: Polycarbonate
 Element: Sintered polypropylene
 Gauge: Brass body, plastic face
 Elastomers: Bowl O-ring - Neoprene
 All others - Nitrile

COMBINATION UNIT (SHUT OFF VALVE, FILTER/REGULATOR AND LUBRICATOR)

Port size	MODELS		ACCESSORIES Silencer (shut-off valve)
	Auto drain	Manual drain	
 8 mm G1/4	 BL92-F11D BL92-211G	 BL92-F31D BL92-231G	 T40M0500 T40M0500
 8 mm G1/4	 BL92-F15D BL92-215G	 BL92-F35D BL92-235G	 T40M0500 T40M0500

ACCESSORIES

Port size	Push-in fitting connector with mounting bracket	Threaded connector with mounting bracket	Threaded connector without mounting bracket	Quick connector	Porting block
G1/8	-	9212KIT-1G	-	9210-50	
G1/4	-	9212KIT-2G	9211KIT-2V		9216-51
G3/8	-	9212KIT-3G	-		
Ø 6 mm	9213KIT-6D	-	-		
Ø 8 mm	9213KIT-8D	-	-		
Ø 10 mm	9213KIT-AD	-	-		
Ø 12 mm	9213KIT-BD	-	-		

Warning
Locking plates **MUST** be in place before pressurizing any Excelon® Pro unit.

PATENTED CONNECTION SYSTEM

EASE OF INSTALLATION

Innovative patent pending connection design combined with integral mounting brackets make the Excelon® Pro user friendly and easy to install.

ACCESSORY FEATURES

- 1 WALL MOUNTING BRACKET WITH PIF FITTING
To fix the device to the wall.
- 2 WALL MOUNTING BRACKET WITH THREAD
To fix the device to the wall.
- 3 THREAD CONNECTOR
To connect the device directly.
- 4 SILENCER (SHUT-OFF VALVE)
For noise reduction when exhausting air to atmosphere.
- 5 QUICK CONNECTOR
Allows easy connection of one Excelon® PRO unit to another.
- 6 PORTING BLOCK
When placed between a filter-regulator and lubricator allows branching off to systems requiring a non-lubricated supply.
The locking plates are included in scope of supply (plugs not included).

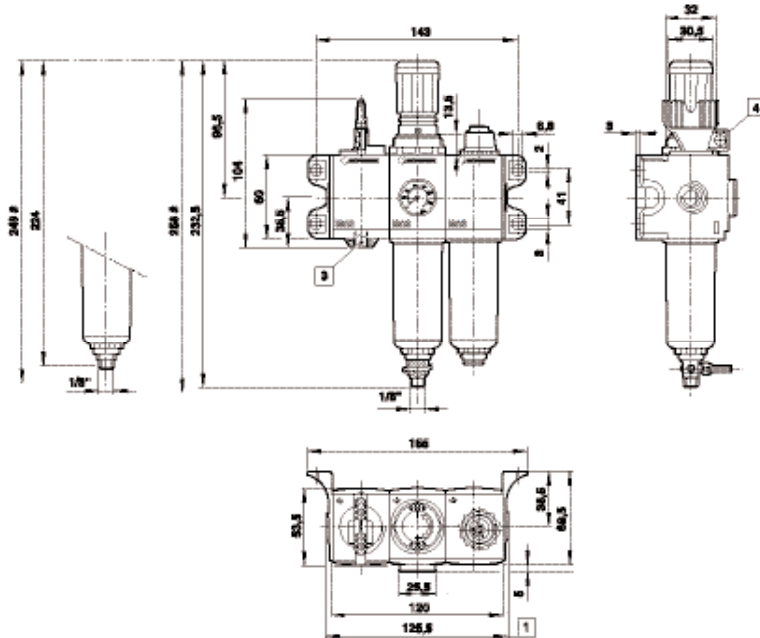


EXCELON® PRO SERIES Combination unit shut off valve, filter/regulator and lubricator

Ø 8 mm, G 1/4

DIMENSIONS

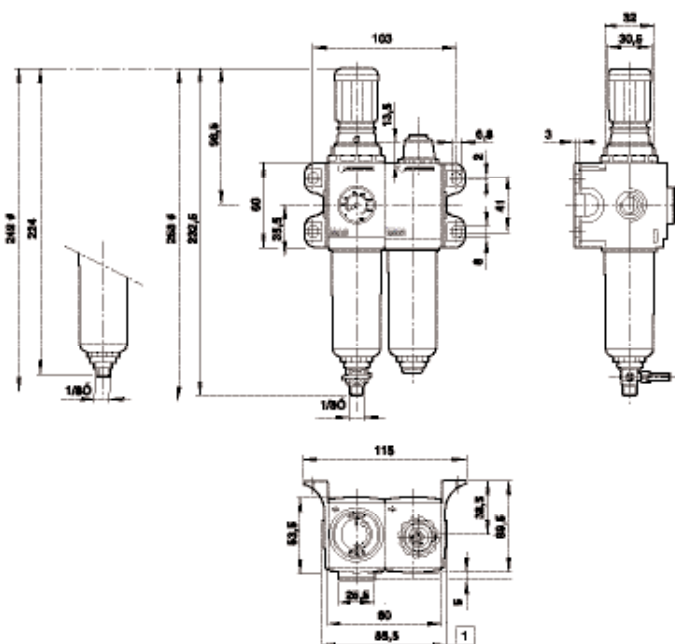
Shut-off valve, filter/regulator & lubricator



- # Minimum clearance required to remove bowl
- 1 Connector dimensions
1/4" threaded connectors shown. See below for port-to-port dimensions for additional connectors.

PIF Connector	Port-to-port
8 mm	145,5
Threaded connector	
1/4"	125,5
- 3 M5 exhaust port
- 4 Lever lockable only in closed position.
Lock slide accepts Ø 7 mm padlock/shackle.

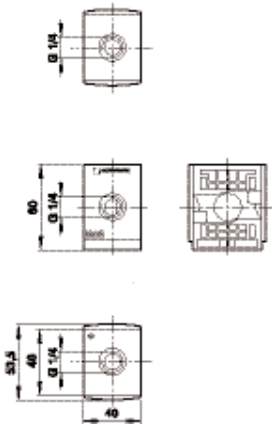
Filter/regulator & lubricator



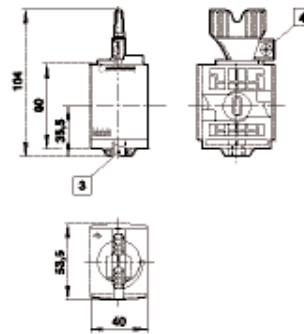
- # Minimum clearance required to remove bowl
- 1 Connector dimensions
1/4" threaded connectors shown. See below for port-to-port dimensions for additional connectors.

PIF Connector	Port-to-port
8 mm	105,5
Threaded connector	
1/4"	85,5

Porting block



Lockable/shut off valve



- 3 M5 exhaust port
- 4 Lever lockable only in closed position.
Lock slide accepts \varnothing 7 mm padlock/shackle.

EXCELON® PRO SERIES

General purpose filter

F92G - Ø 8 mm, G 1/4

F92G



Selected options provides ease of ordering
 Configuration flexibility
 Excellent value
 No tools required for assembly

TECHNICAL DATA

Medium:

Compressed air

Operating pressure:

Manual drain: 12 bar max.

Automatic drain: 10 bar max.

Ambient temperature:

-20°C ... +52°C

Consult our Technical Service for use below +2°C

Element:

5 µm

Typical flow:

23 dm³/s

[port size G 1/4, inlet pressure 6,3 bar, Δp = 0,5 bar]

Drain:

Automatic drain operating conditions (float operated):

Bowl pressure required to close drain: > 0,35 bar

Bowl pressure required to open drain: ≤ 0,2 bar

Minimum air flow required to close drain: 0,1 dm³/s (6 l/min)

Manual operation: depress pin inside drain outlet to drain bowl

MATERIALS







Body: PBT

Transparent bowl: Polycarbonate

Element: Polypropylene








Elastomers: Bowl O-ring - Neoprene
 All others - Nitrile


Internal parts: Acetal

		MODELS		ACCESSORIES	
Port size	Flow*	Auto drain	Manual drain	Service kit	Auto drain
 Automatic drain	Ø 8 mm G 1/4	 F92G-8DN-AT1 F92G-2GN-AT1	 F92G-8DN-QT1 F92G-2GN-QT1	 F92G-KIT	 4000-50R
 Manual drain	23 dm ³ /s 23 dm ³ /s				

* Typical flow with 6,3 bar inlet pressure and 0,5 bar pressure drop.

ACCESSORIES

Port size	Push-in fitting connector with mounting bracket	Threaded connector with mounting bracket	Threaded connector without mounting bracket	Porting block	Quick connector	Lockout/shut of valve with exhaust port	Silencer (shut-off valve)
G1/8							
G1/4	-	9212KIT-1G	-	9216-51	9210-50	T92T-NNN-B1N	T40M0500
G3/8	-	9212KIT-2G	9211KIT-2V				T40M0500
Ø 6 mm	9213KIT-6D	9212KIT-3G	-				T40M0500
Ø 8 mm	9213KIT-8D	-	-				
Ø 10 mm	9213KIT-AD	-	-				
Ø 12 mm	9213KIT-BD	-	-				

 **Warning**
 Locking plates **MUST** be in place before pressurizing any Excelon® Pro unit.

For further information



www.norgren.com/info/nec/en6-014

OPTIONS SELECTOR

F92G-★N-T1

Connector with mounting bracket	Substitute	←	Drain	Substitute
6 mm Push-In fitting	6D		Manual	Q
8 mm Push-In fitting	8D		Automatic	A
10 mm Push-In fitting	AD			
12 mm Push-In fitting	BD			
G 1/8	1G			
G 1/4	2G			
G 3/8	3G			
Connector without mounting bracket	Substitute	←		
G 1/4	2V			
Connector	Substitute	←		
Without	NN			

PATENTED CONNECTION SYSTEM

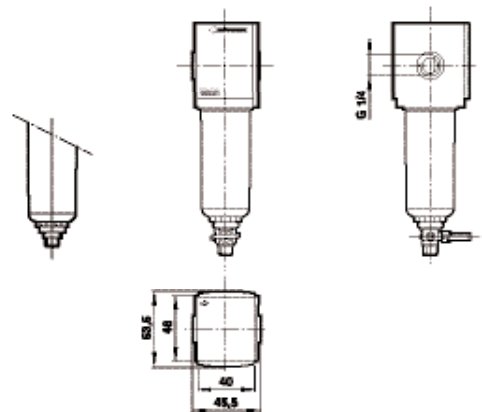
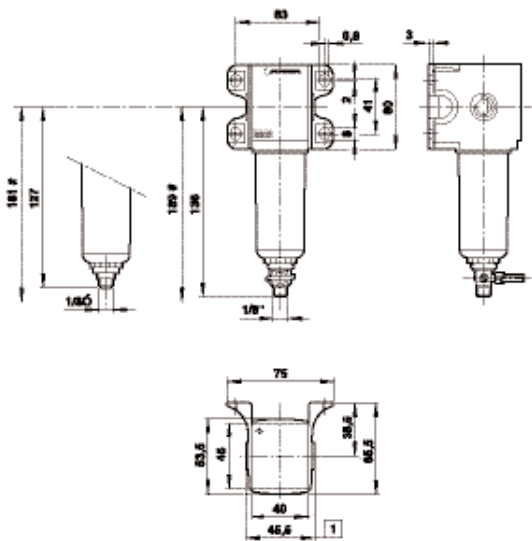
EASE OF INSTALLATION

Innovative patent pending connection design combined with integral mounting brackets make the Excelon® Pro user friendly and easy to install.

DIMENSIONS

Filter with wall mounting bracket

Filter without mounting bracket, G 1/4 port size



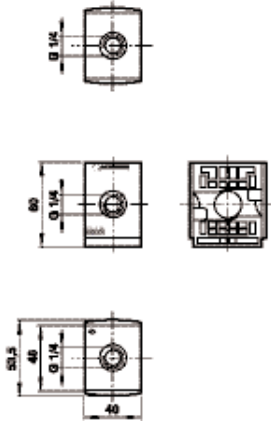
#	Minimum clearance required to remove bowl												
1	Connector dimensions 1/8" and 1/4" threaded connectors shown. See below for port-to-port dimensions for additional connectors.												
	<table border="0"> <tr> <td>PIF Connector</td> <td>Port-to-port</td> </tr> <tr> <td>6 mm, 8 mm</td> <td>60</td> </tr> <tr> <td>10 mm, 12 mm</td> <td>62</td> </tr> <tr> <td>Threaded connector</td> <td></td> </tr> <tr> <td>1/8", 1/4"</td> <td>45,5</td> </tr> <tr> <td>3/8"</td> <td>76</td> </tr> </table>	PIF Connector	Port-to-port	6 mm, 8 mm	60	10 mm, 12 mm	62	Threaded connector		1/8", 1/4"	45,5	3/8"	76
PIF Connector	Port-to-port												
6 mm, 8 mm	60												
10 mm, 12 mm	62												
Threaded connector													
1/8", 1/4"	45,5												
3/8"	76												

EXCELON® PRO SERIES General purpose filter

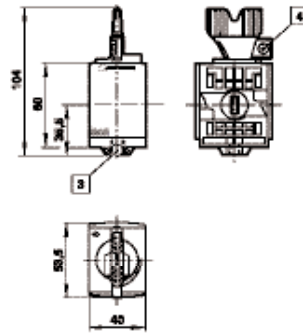
F92G - Ø 8 mm, G 1/4

DIMENSIONS

Porting block



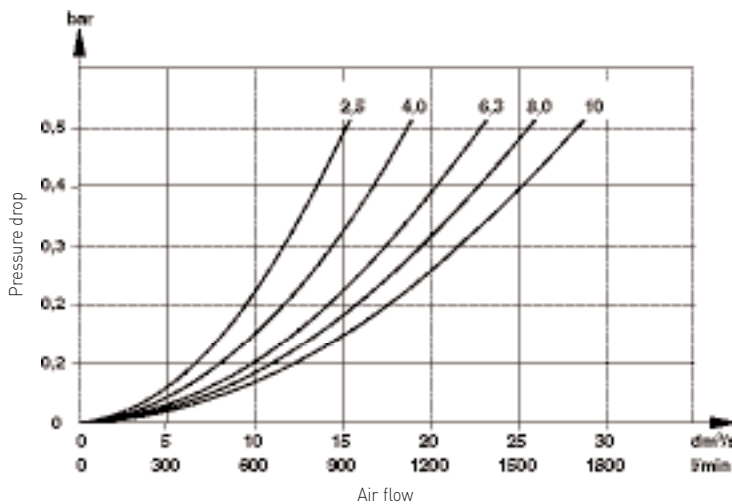
Lockable/shut off valve



- 3 M5 exhaust port
- 4 Lever lockable only in closed position. Lock slide accepts Ø 7 mm padlock/shackle.

FLOW CHARACTERISTICS

1/4" ports, 5 µm filter element



EXCELON® PRO SERIES

Coalescing filter

F92C - Ø 8 mm, G 1/4

F92C



Selected options provides ease of ordering

Configuration flexibility

Excellent value

No tools required for assembly

Automatic drain and service life indicator as standard

TECHNICAL DATA

Medium:

Compressed air

Operating pressure:

8 bar max.

Ambient temperature:

-20°C ... +52°C

Consult our Technical Service for use below +2°C

Element:

0,01 µm

Remaining oil content:

0,01 mg/m³ at +21°C

Note: Install with a 5 µm Pre-Filter upstream

Drain:

Automatic drain operating conditions (float operated):

Bowl pressure required to close drain: > 0,35 bar

Bowl pressure required to open drain: ≤ 0,2 bar

Minimum air flow required to close drain: 0,1 dm³/s (6 l/min)

MATERIALS

Body: PBT

Transparent bowl: Polycarbonate

Element: Synthetic fiber and polypropylene foam

Elastomers: Bowl O-ring and service indicator O-ring - Neoprene
All others - Nitrile




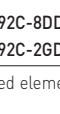

Service indicator

Body: Polycarbonate

Internal parts: Acetal

Spring: Music wire ASTM 228

Elastomers: Neoprene

Port size	Flow*	MODELS	ACCESSORIES
		Auto drain	Service kit Auto drain
 Ø 8 mm G 1/4	4,6 dm ³ /s	 F92C-8DD-AT1	 F92C-KIT
	4,6 dm ³ /s	 F92C-2GD-AT1	 4000-50R

* Maximum flow at 6,3 bar to maintain stated oil removal performance. (saturated element)

ACCESSORIES

Port size	Push-in fitting connector with mounting bracket	Threaded connector with mounting bracket	Threaded connector without mounting bracket	Porting block	Quick connector	Lockout/shut of valve with exhaust port	Silencer (shut-off valve)
G1/8	-	9212KIT-1G	-	-	9210-50	T92T-NNN-B1N	T40M0500
G1/4	-	9212KIT-2G	9211KIT-2V	9216-51	-	-	T40M0500
G3/8	-	9212KIT-3G	-	-	-	-	T40M0500
Ø 6 mm	9213KIT-6D	-	-	-	-	-	-
Ø 8 mm	9213KIT-8D	-	-	-	-	-	-
Ø 10 mm	9213KIT-AD	-	-	-	-	-	-
Ø 12 mm	9213KIT-BD	-	-	-	-	-	-



Warning

Locking plates **MUST** be in place before pressurizing any Excelon® Pro unit.

EXCELON® PRO SERIES Coalescing filter

F92C - Ø 8 mm, G 1/4

OPTIONS SELECTOR

F92C-★★D-AT0

Connector with mounting bracket	Substitute	←
6 mm Push-In fitting	6D	
8 mm Push-In fitting	8D	
10 mm Push-In fitting	AD	
12 mm Push-In fitting	BD	
G 1/8	1G	
G 1/4	2G	
G 3/8	3G	
Connector without mounting bracket	Substitute	←
G 1/4	2V	
Connector	Substitute	←
Without	NN	

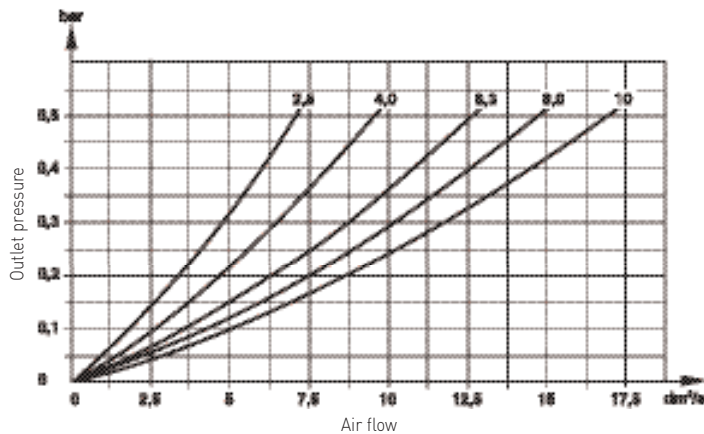
PATENTED CONNECTION SYSTEM

EASE OF INSTALLATION

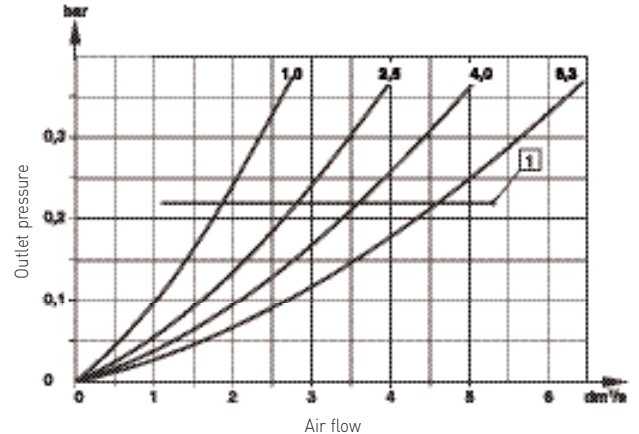
Innovative patent pending connection design combined with integral mounting brackets make the Excelon® Pro user friendly and easy to install.

FLOW CHARACTERISTICS

1/4" ports, 0,01 µm filter element (dry)



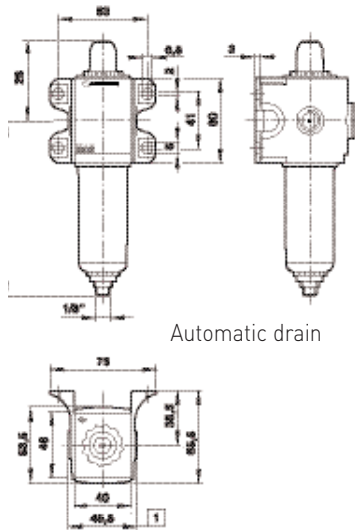
1/4" ports, 0,01 µm filter element (saturated)



1 Maximum flow to maintain stated oil removal performance

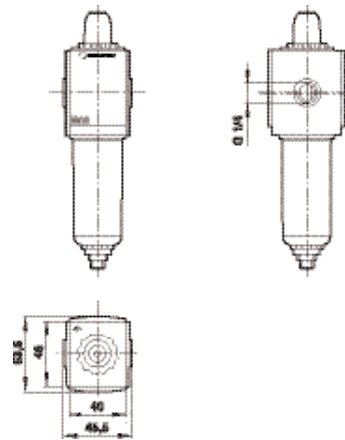
DIMENSIONS

Coalescing filter with wall mounting bracket



Automatic drain

Coalescing filter without mounting bracket, G 1/4 port size

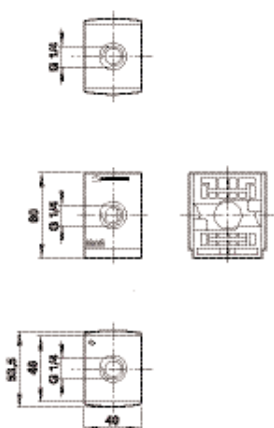


Minimum clearance required to remove bowl

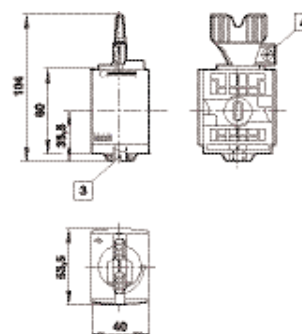
1 Connector dimensions
1/8" and 1/4" threaded connectors shown. See below for port-to-port dimensions for additional connectors.

PIF Connector	Port-to-port
6 mm, 8 mm	60
10 mm, 12 mm	62
Threaded connector	
1/8", 1/4"	45,5
3/8"	76

Porting block



Lockable/shut off valve



3 M5 exhaust port

4 Lever lockable only in closed position.
Lock slide accepts \varnothing 7 mm padlock/shackle.

EXCELON[®] PRO SERIES Regulator

R92G - Ø 8 mm, G 1/4

R92G



Selected options provides ease of ordering
Configuration flexibility
Excellent value
No tools required for assembly
RoHS compliant





TECHNICAL DATA

Medium:
Compressed air
Operating pressure:
12 bar max.
Ambient temperature:
-20°C ... +60°C
Consult our Technical Service for use below +2°C

Outlet pressure adjustment range:
0,3 ... 10 bar
Typical flow:
25 dm³/s max.
(port size G 1/4, inlet pressure 10 bar, outlet pressure 6,3 bar, Δp = 1 bar)

MATERIALS







Body: PBT
Bonnet: PBT
Valve elastomer: Geolast
Diaphragm: Nitrile
Internal parts: Acetal
Gauge: Brass body, plastic face
Elastomers: Bowl O-ring - Neoprene
All others - Nitrile

Port size	Flow*	MODELS	ACCESSORIES	Gauge kit
			Service kit	
 Ø 8 mm G 1/4	25 dm ³ /s	 R92G-8DK-RMG	 R92G-KITR R92G-KITR	 9273KIT-01 9273KIT-01
	25 dm ³ /s			

* Typical flow with 10 bar inlet pressure 6,3 bar set pressure and a 1 bar droop from set.

ACCESSORIES

Port size	Push-in fitting connector with mounting bracket	Threaded connector with mounting bracket	Threaded connector without mounting bracket	Porting block
G1/8	-	9212KIT-1G	-	9216-51
G1/4	-	9212KIT-2G	9211KIT-2V	
G3/8	-	9212KIT-3G	-	
Ø 6 mm	9213KIT-6D	-	-	
Ø 8 mm	9213KIT-8D	-	-	
Ø 10 mm	9213KIT-AD	-	-	
Ø 12 mm	9213KIT-BD	-	-	

Neck mounting bracket	Quick connector	Panel mount nut	Tamper resistant cover and seal wire	Lockout/shut of valve with exhaust port	Silencer (shut-off valve)
					
74316-02	9210-50	9248-50	9255-51	T92T-NNN-B1N	T40M0500

PATENTED CONNECTION SYSTEM

EASE OF INSTALLATION

Innovative patent pending connection design combined with integral mounting brackets make the Excelon[®] Pro user friendly and easy to install.

 **Warning**
Locking plates **MUST** be in place before pressurizing any Excelon[®] Pro unit.

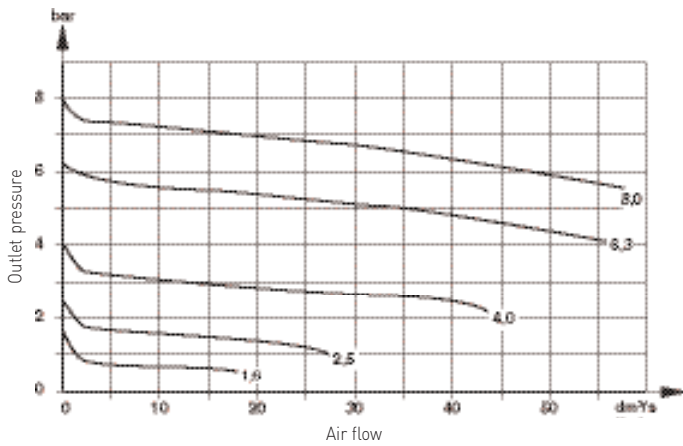
For further information



www.norgren.com/info/nec/en6-020

FLOW CHARACTERISTICS

Inlet pressure: 10 bar
Port size: G1/4



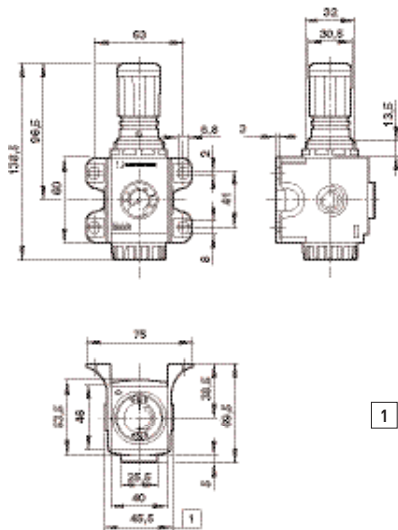
OPTIONS SELECTOR

R92G★★K-RMG

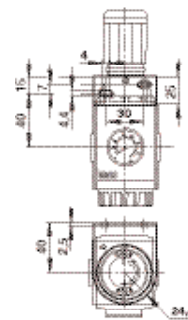
Connector with mounting bracket	Substitute	←
6 mm Push-In fitting	6D	
8 mm Push-In fitting	8D	
10 mm Push-In fitting	AD	
12 mm Push-In fitting	BD	
G 1/8	1G	
G 1/4	2G	
G 3/8	3G	
Connector without mounting bracket	Substitute	←
G 1/4	2V	
Connector	Substitute	←
Without	NN	

DIMENSIONS

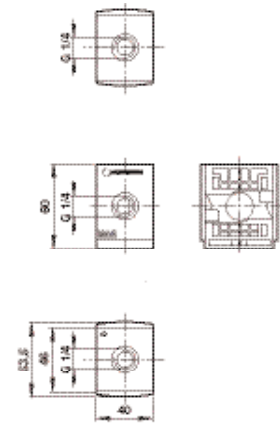
Regulator with wall mounting bracket



Wall to neck



Porting block

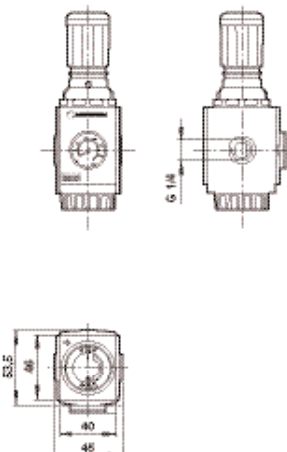


1 Connector dimensions
1/8" and 1/4" threaded connectors shown. See below for port-to-port dimensions for additional connectors.

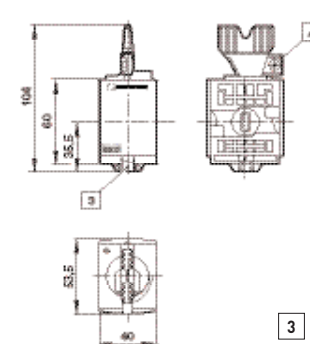
PIF Connector	Port-to-port
6 mm, 8 mm	60
10 mm, 12 mm	62

Threaded connector	
1/8", 1/4"	45,5
3/8"	76

Regulator without mounting bracket



Lockable/shut off valve



- 3** M5 exhaust port
- 4** Lever lockable only in closed position
Lock slide accepts \varnothing 7 mm padlock/shackle

EXCELON[®] PRO SERIES

Filter/regulator

B92G - Ø 8 mm, G 1/4

B92G



Selected options provides ease of ordering
 Configuration flexibility
 Excellent value
 No tools required for assembly
 RoHS compliant

TECHNICAL DATA

Medium:
 Compressed air

Operating pressure:
 Manual drain: 12 bar max.
 Automatic drain: 10 bar max.

Ambient temperature:
 -20°C ... +52°C
 Consult our Technical Service for use below +2°C

Element:
 5 µm

Outlet pressure adjustment range:
 0,3 ... 10 bar

Typical flow:
 19 dm³/s
 (port size G 1/4, inlet pressure 10 bar, outlet pressure 6,3 bar, Δp = 1 bar, element 5 µm)

Drain:
 Automatic drain operating conditions (float operated):
 Bowl pressure required to close drain: > 0,35 bar
 Bowl pressure required to open drain: ≤ 0,2 bar
 Minimum air flow required to close drain: 0,1 dm³/s (6 l/min)
 Manual operation: depress pin inside drain outlet to drain bowl

MATERIALS

Body: PBT
 Bonnet: PBT
 Valve elastomer: Geolast
 Diaphragm: Nitrile
 Transparent bowl: Polycarbonate
 Element: Polypropylene
 Internal parts: Acetal
 Gauge: Brass body, plastic face
 Elastomers: Bowl O-ring - Neoprene
 All others - Nitrile

Port size	Flow*	MODELS		ACCESSORIES		
		Auto drain	Manual drain	Service kit	Auto drain	Gauge kit
 Automatic drain relieving Manual drain relieving	Ø 8 mm					
	G1/4	B92G-2GK-AT1-RMG	B92G-2GK-QT1-RMG	B92G-KITR	4000-50R	9273KIT-01

* Typical flow with 10 bar inlet pressure 6,3 bar set pressure and a 1 bar droop from set.

For further information



www.norgren.com/info/nec/en6-022

ACCESSORIES

Port size	Push-in fitting connector with mounting bracket	Threaded connector with mounting bracket	Threaded connector without mounting bracket	Porting block	Silencer (shut-off valve)
G1/8	-	9212KIT-1G	-	-	T40M0500
G1/4	-	9212KIT-2G	9211KIT-2V	9216-51	T40M0500
G3/8	-	9212KIT-3G	-	-	T40M0500
Ø 6 mm	9213KIT-6D	-	-	-	-
Ø 8 mm	9213KIT-8D	-	-	-	-
Ø 10 mm	9213KIT-AD	-	-	-	-
Ø 12 mm	9213KIT-BD	-	-	-	-
Neck mounting bracket	Quick connector	Panel mount nut	Tamper resistant cover and seal wire	Lockout/shut of valve with exhaust port	
74316-02	9210-50	9248-50	9255-51	T92T-NNN-B1N	



Warning

Locking plates **MUST** be in place before pressurizing any Excelon® Pro unit.

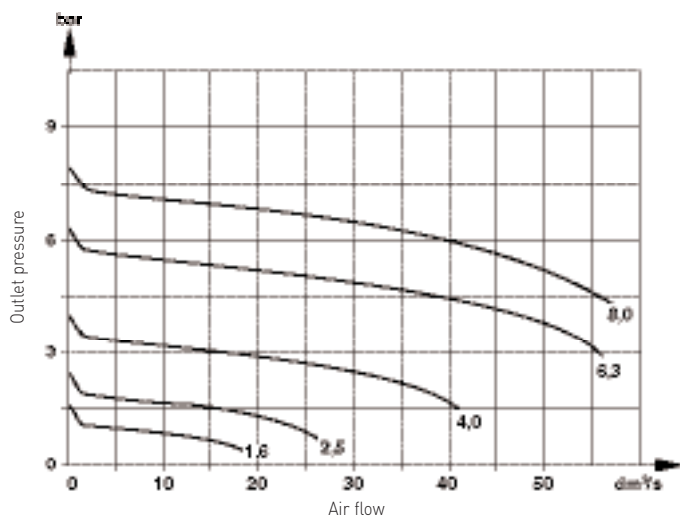
OPTIONS SELECTOR

B92G-★K-T1-RMG

Connector with mounting bracket	Substitute	Drain	Substitute
6 mm Push-In fitting	6D	Manual	Q
8 mm Push-In fitting	8D	Automatic	A
10 mm Push-In fitting	AD		
12 mm Push-In fitting	BD		
G 1/8	1G		
G 1/4	2G		
G 3/8	3G		
Connector without mounting bracket	Substitute		
G 1/4	2V		
Connector	Substitute		
Without	NN		

FLOW CHARACTERISTICS

Inlet pressure: 10 bar, filter element: 5 µm
Port size: G1/4



PATENTED CONNECTION SYSTEM

EASE OF INSTALLATION

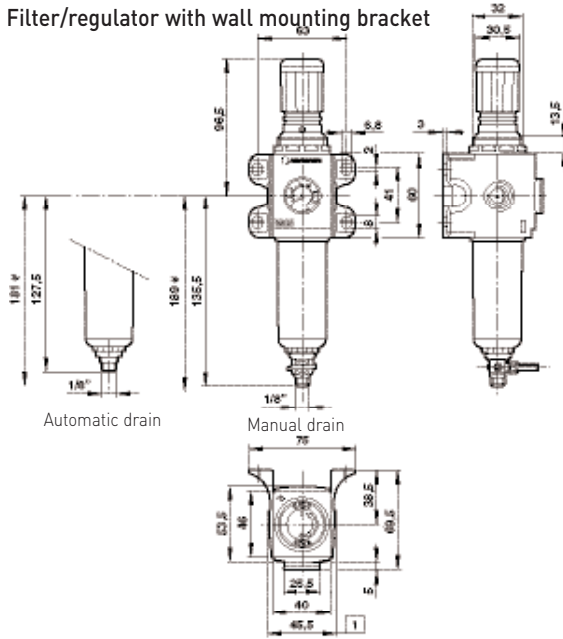
Innovative patent pending connection design combined with integral mounting brackets make the Excelon® Pro user friendly and easy to install.

EXCELON® PRO SERIES Filter/regulator

B92G - Ø 8 mm, G 1/4

DIMENSIONS

Filter/regulator with wall mounting bracket



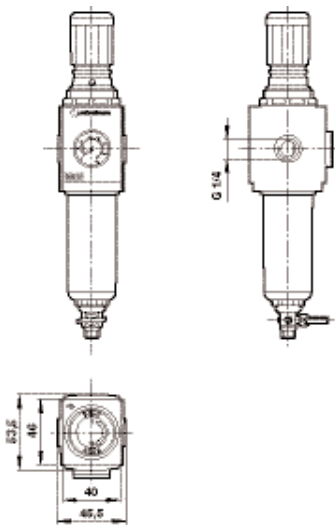
Minimum clearance required to remove bowl

1 Connector dimensions
1/8" and 1/4" threaded connectors shown. See below for port-to-port dimensions for additional connectors.

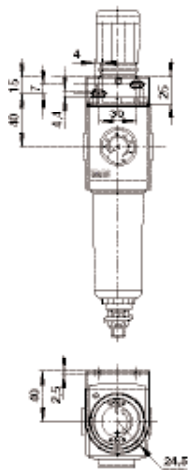
PIF Connector	Port-to-port
6 mm, 8 mm	60
10 mm, 12 mm	62

Threaded connector	
1/8", 1/4"	45,5
3/8"	76

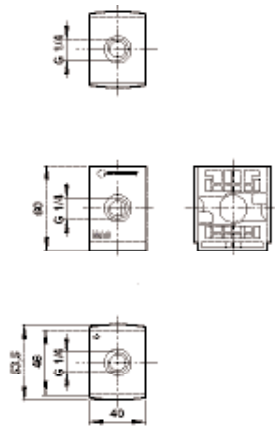
Filter/regulator without mounting bracket,
G 1/4 port size



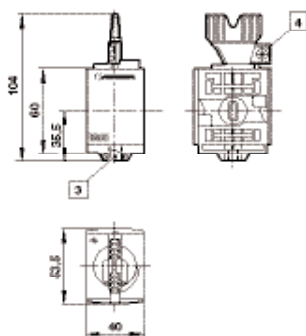
Wall to neck



Porting block



Lockable/shut off valve



- 3** M5 exhaust port
- 4** Lever lockable only in closed position
Lock slide accepts $\varnothing 7$ mm padlock/shackle

EXCELON® PRO SERIES

Lubricator (oil-fog)

L92C - Ø 8 mm, G 1/4

L92C



Selected options provides ease of ordering
 Configuration flexibility
 Excellent value
 No tools required for assembly
 RoHS compliant





Start point (minimum flow for lubricator operation):
 0,55 dm³/s (33 l/min) at 6,3 bar inlet pressure
Nominal bowl capacity:
 52 ml

TECHNICAL DATA

Medium:
 Compressed air
Operating pressure:
 12 bar max.
Ambient temperature:
 -20°C ... +52°C
 Consult our Technical Service for use below +2°C
Typical flow:
 24 dm³/s max.
 (port size G 1/4, inlet pressure 6,3 bar, Δ p = 0,5 bar)







MATERIALS

Body: PBT
 Transparent bowl: Polycarbonate
 Sight-feed dome: Transparent nylon
 Recommended lubricant: ISO 3448 viscosity, number 32 (such as DTE light or similar)
 Internal parts: Acetal
 Elastomers: Bowl O-ring - Neoprene
 All others - Nitrile

Port size	Flow*	MODELS	ACCESSORIES	Silencer (shut-off valve)
 Ø 8 mm G 1/4	24 dm ³ /s 24 dm ³ /s	 L92C-8DP-ETN L92C-26P-ETN	 L92C-KIT L92C-KIT	 T40M0500 T40M0500

*Typical flow with 6.3 bar inlet pressure and 0.5 bar pressure drop

ACCESSORIES

Port size	Push-in fitting connector with mounting bracket	Threaded connector with mounting bracket	Threaded connector without mounting bracket	Porting block	Quick connector	Lockout/shut of valve with exhaust port
						
G1/8	-	9212KIT-1G	-		9210-50	T92T-NNN-B1N
G1/4	-	9212KIT-2G	9211KIT-2V	9216-51		
G3/8	-	9212KIT-3G	-			
Ø 6 mm	9213KIT-6D	-	-			
Ø 8 mm	9213KIT-8D	-	-			
Ø 10 mm	9213KIT-AD	-	-			
Ø 12 mm	9213KIT-BD	-	-			

 **Warning**
 Locking plates **MUST** be in place before pressurizing any Excelon® Pro unit.

PATENTED CONNECTION SYSTEM

Innovative patent pending connection design combined with integral mounting brackets make the Excelon® Pro user friendly and easy to install.

For further information



www.norgren.com/info/nec/en6-026

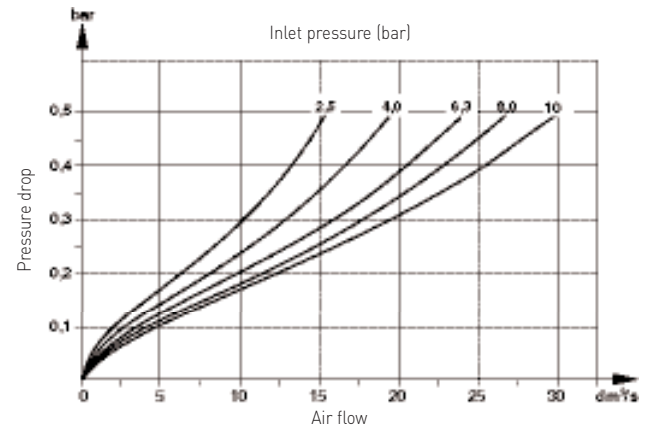
OPTIONS SELECTOR

L92C-★★P-ETN

Connector with mounting bracket	Substitute	←
6 mm Push-In fitting	6D	
8 mm Push-In fitting	8D	
10 mm Push-In fitting	AD	
12 mm Push-In fitting	BD	
G 1/8	1G	
G 1/4	2G	
G 3/8	3G	
Connector without mounting bracket	Substitute	←
G 1/4	2V	
Connector	Substitute	←
Without	NN	

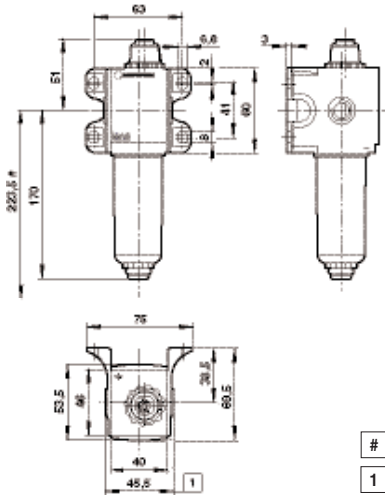
FLOW CHARACTERISTICS

Port size G: 1/4



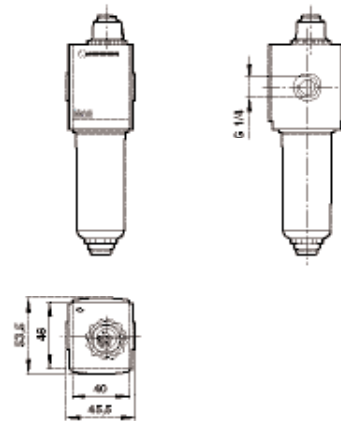
DIMENSIONS

Lubricator with wall mounting bracket

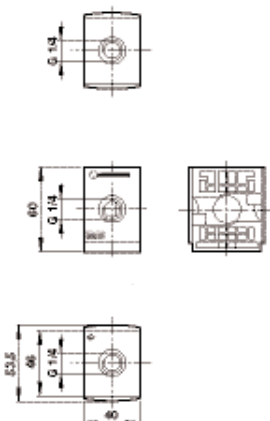


- # Minimum clearance required to remove bowl
 - 1 Connector dimensions
1/8" and 1/4" threaded connectors shown. See below for port-to-port dimensions for additional connectors.
- | PIF Connector | Port-to-port |
|---------------|--------------|
| 6 mm, 8 mm | 60 |
| 10 mm, 12 mm | 62 |
- | Threaded connector | |
|--------------------|------|
| 1/8", 1/4" | 45,5 |
| 3/8" | 76 |

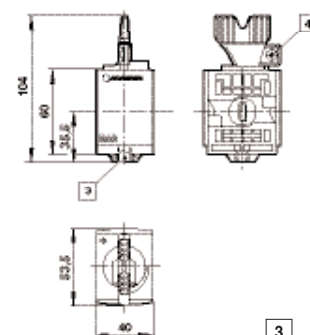
Lubricator without mounting bracket, G 1/4 port size



Porting block



Lockable/shut off valve



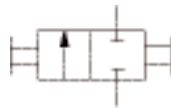
- 3 M5 exhaust port
- 4 Lever lockable only in closed position
Lock slide accepts Ø 7 mm padlock/shackle

EXCELON® PRO SERIES

Lockout / shut-off valve

T92 - Ø 6 ... 12 mm, G 1/8 ... G 3/8

T92



Easy to order
 Configuration flexibility
 Excellent value
 No tools required for assembly
 RoHS compliant

TECHNICAL DATA

Medium:
 Compressed air

Operating pressure:
 12 bar max.

Flow:
 CV = 2,57 (G 1/4)

Ambient temperature:
 -20°C* ... +60°C
 Consult our Technical Service for use below +2°C

MATERIALS

Body and valve stem: PBT
 Internal parts: Acetal
 Elastomers: Nitrile and TPE

OPTIONS SELECTOR

T92★-★★N-B1N

Function	Substitute
2-port/2-position, non exhaust outlet, black slide	B
3-port/2-position, threaded (M5) exhaust outlet, red slide	T

Connector with mounting bracket	Substitute
6 mm Push-In fitting	6D
8 mm Push-In fitting	8D
10 mm Push-In fitting	AD
12 mm Push-In fitting	BD
G 1/8	1G
G 1/4	2G
G 3/8	3G

Connector without mounting bracket	Substitute
G 1/4	2V

Connector	Substitute
Without	NN

For further information



www.norgren.com/info/nec/en6-028

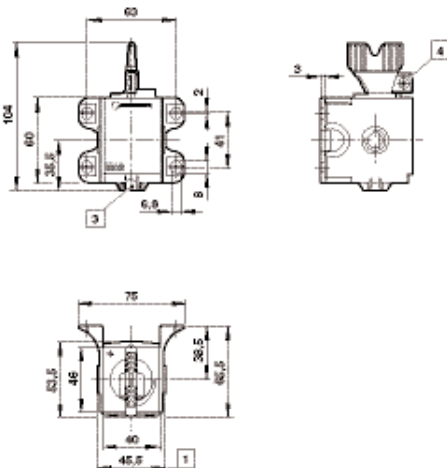
ACCESSORIES T92

Port size	Push-in fitting connector with mounting bracket	Threaded connector with mounting bracket	Threaded connector without mounting bracket	Silencer
G1/8	-	9212KIT-1G	-	T40M0500
G1/4	-	9212KIT-2G	9211KIT2V	T40M0500
G3/8	-	9212KIT-3G	-	T40M0500
Ø 6 mm	9213KIT-6D	-	-	T40M0500
Ø 8 mm	9213KIT-8D	-	-	T40M0500
Ø 10 mm	9213KIT-AD	-	-	T40M0500
Ø 12 mm	9213KIT-BD	-	-	T40M0500

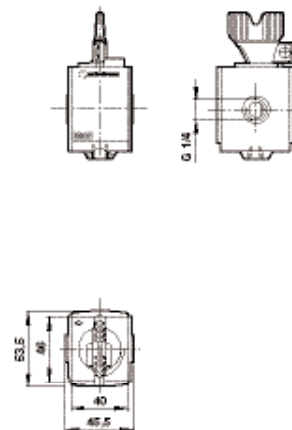
Warning
Locking plates **MUST** be in place before pressurizing any Excelon® Pro unit.

DIMENSIONS

Shut-off valve with wall mounting bracket



Shut-off valve without mounting bracket



1 Connector dimensions
1/8" and 1/4" threaded connectors shown. See below for port-to-port dimensions for additional connectors.

PIF Connector	Port-to-port
6 mm, 8 mm	60
10 mm, 12 mm	62

Threaded connector	Port-to-port
1/8", 1/4"	45,5
3/8"	76

3 M5 exhaust port

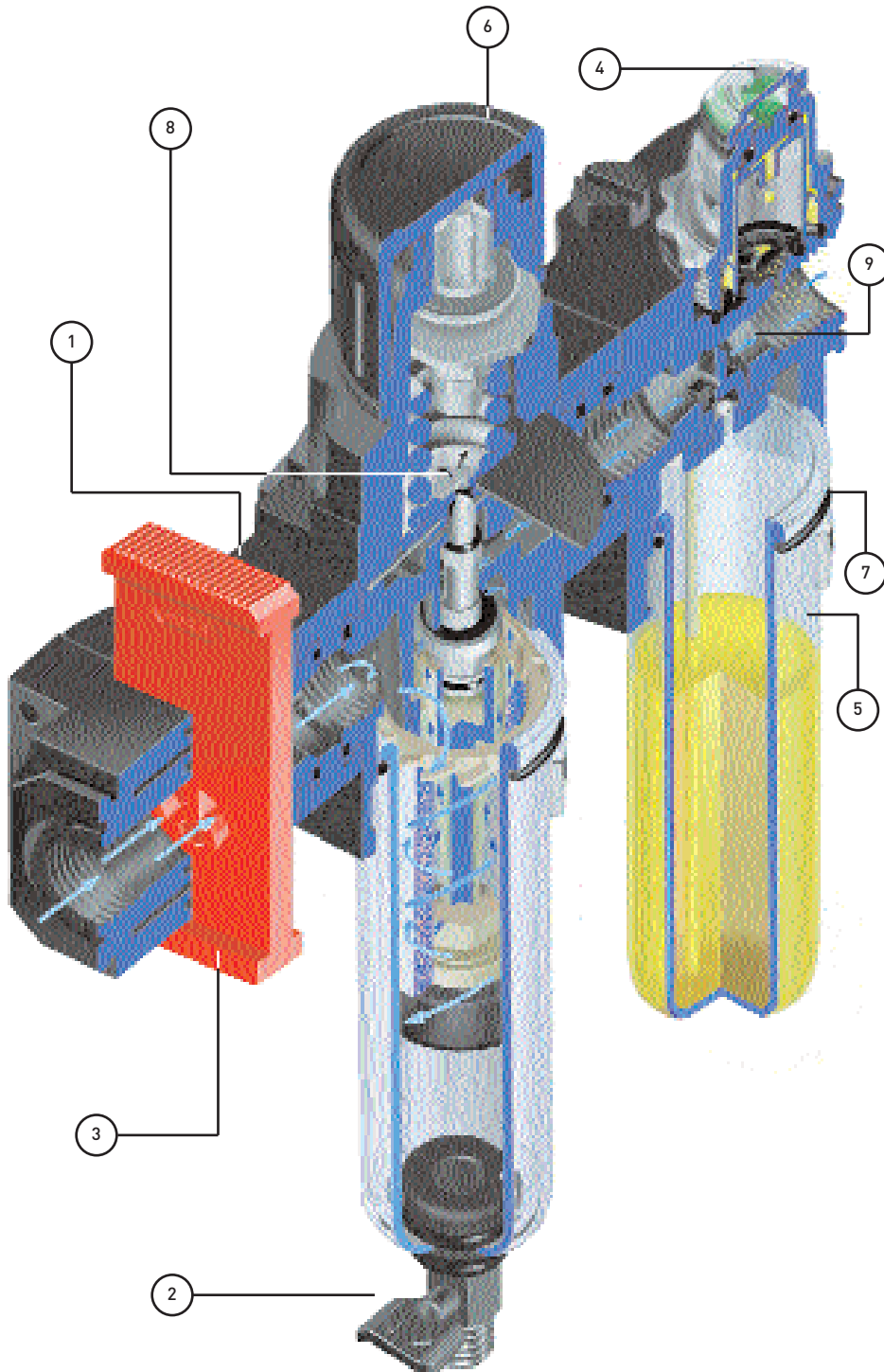
4 Lever lockable only in closed position.
Lock slide accepts Ø 7 mm padlock/shackle.

EXCELON[®]

Excelon, the alternative modular air preparation system from Norgren.

Although direct ported, thanks to a patented Quikclamp connection system, Excelon can be used where both stand alone units or modular assemblies are required.

Just another example of Norgren's adaptability.



1 PATENTED QUIKCLAMP CONNECTION SYSTEM

- Simple, speedy assembly of accessories and combination units

2 PATENTED QUARTER TURN MANUAL DRAIN

- Simple 1/4 turn to operate.
- Features a threaded pipeway outlet.

3 PATENTED SHUT-OFF VALVE

- 3/2 with a threaded exhaust and lockable blade for safe system isolation.

4 LUBRICATOR SIGHT FEED DOME

- Allows full 360° visibility and screwdriver adjustment for easy drip rate setting.
- Can be made tamper-resistant.

5 BAYONET BOWLS

- Easy removal for routine maintenance.
- Detent action prevents removal under pressure.

6 PUSH TO LOCK ADJUSTING KNOB

- Can be fitted with a tamper resistant cover.

7 CAPTIVE 'O' RINGS

8 BALANCED VALVE

- For improved regulation characteristics.

9 LUBRICATOR SENSOR

- Helps to maintain constant oil density with varying flow.

- PLUS many more design features and accessories.

EXCELON® QUIKCLAMP SYSTEM Boxed sets

Filter/regulators and lubricators

FL72, BL72, BL73, BL74 - G1/4 ... G1/2



Boxed sets include:
 filter/regulator and micro-fog lubricator complete with exhausting shut-off valve, pressure gauge and mounting brackets
 High efficiency water and particle removal
 Quick release bayonet bowls
 Push to lock adjusting knob with tamper resistant option
 All round (360°) visibility of lubricator sight feed dome for ease of drip rate setting
 Micro-fog lubricator for most general purpose pneumatic applications

TECHNICAL DATA

Medium:
 Compressed air only
Maximum inlet pressure:
 10 bar
Gauge ports:
 Rc 1/8
Ambient temperature:
 -20°C ... +50°C
 Consult our Technical Service for use below +2°C
Pressure range:
 0,3 ... 10 bar
Element (µm):
 40

MATERIALS

BL72, FL72:
 Polycarbonate bowl standard, zinc bowl optional. Zinc body. Neoprene, nitrile and Geolast elastomeric materials. Transparent nylon liquid level indicator lens for metal bowl. Filter/regulator: Acetal bonnet. Sintered polypropylene element. Brass valve.
 Lubricator: Transparent nylon sight-feed dome.
BL73:
 Aluminium bonnet, brass valve. Sintered plastic element. Aluminium body and bowl. Transparent nylon liquid level indicator and sight feed dome. Neoprene and nitrile elastomers
BL74:
 Aluminium bonnet, brass valve. Sintered plastic element. Aluminium body, transparent polycarbonate with steel bowl guard. Transparent nylon sight-feed dome, neoprene and nitrile elastomers.

BOXED SETS

	Port size	Bowl	kg	Operation	MODELS		ACCESSORIES		
					Auto *	Manual **	Silencer (shut-off valve)	Tamper resistant kit	
	G1/4	Transparent	1,65	Relieving	BL72-201GA	BL72-221G			
	G3/8	Transparent	2,26	Relieving	BL73-301G	BL73-321G		T40M0500	4255-51
	G1/2	Guarded transparent	3,55	Relieving	BL74-401G	BL74-421G		T40M0500	4455-51
							T40B1800	4355-51	

* For metal bowl options substitute '5' at 7th digit e.g. BL73-351G ** For metal bowl options substitute '6' at 7th digit e.g. BL72-261G
 For service kit numbers refer to individual units

For further information







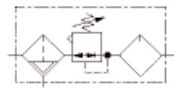
www.norgren.com/info/nec/en6-031

EXCELON® QUIKCLAMP SYSTEM Boxed sets Filter/regulators and lubricators

FL72, BL72, BL73, BL74 - G1/4 ... G1/2


FILTER-REGULATOR & LUBRICATOR COMBINATIONS - (without bracket and gauge)

Port size	Bowl	kg	Operation	MODELS		ACCESSORIES			
				Auto *	Manual **	Silencer (shut-off valve)	Tamper resistant kit	Gauge 0 ... 10 bar	
									
G1/4	Transparent	1,67	Relieving	BL72-208GA	BL72-228G	T40M0500	4255-51	18-013-989	
G3/8	Transparent	1,67	Relieving	BL72-308GA	BL72-328G	T40M0500	4255-51	18-013-989	
G3/8	Transparent	2,26	Relieving	BL73-308G	BL73-328G	T40M0500	4455-51	18-013-013	
G1/2	Transparent	2,26	Relieving	BL73-408G	BL73-428G	T40M0500	4455-51	18-013-013	
G1/2	Guarded transparent	3,5	Relieving	BL74-408G	BL74-428G	T40B1800	4355-51	18-013-013	
G3/4	Guarded transparent	3,55	Relieving	BL74-608G	BL74-628G	T40B1800	4355-51	18-013-013	



* For metal bowl options substitute '5' at 7th digit e.g. BL73-351G ** For metal bowl options substitute '6' at 7th digit e.g. BL72-261G
For service kit numbers refer to individual units

FILTER & LUBRICATOR COMBINATIONS - (without bracket)

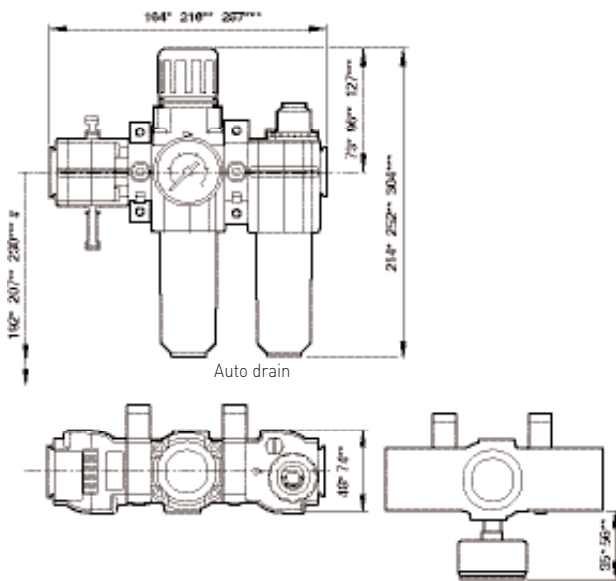
Port size	Bowl	kg	MODELS	
			Auto *	Manual **
				
G1/4	Transparent	1,95	FL72-208GA	FL72-228G
G3/8	Transparent	1,95	FL72-308GA	FL72-328G



* For metal bowl options substitute '5' at 7th digit e.g. BL73-351G ** For metal bowl options substitute '6' at 7th digit e.g. BL72-261G
For service kit numbers refer to individual units

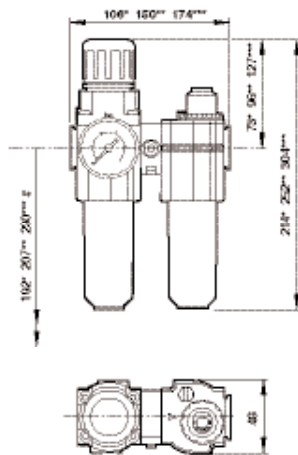
DIMENSIONS

Boxed sets



*BL72 **BL73 ***BL74 # Minimum clearance required to remove bowl.

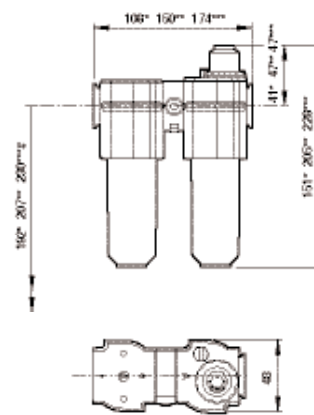
Filter/regulator & lubricator combinations



Auto drain

*BL72 **BL73 ***BL74 # Minimum clearance required to remove bowl.

Filter & lubricator combinations



Auto drain

*BL72 **BL73 ***BL74 # Minimum clearance required to remove bowl.

EXCELON[®] QUIKCLAMP SYSTEM

General purpose filters

F72G, F73G, F74G - G1/4 ... G3/4



F72G



F73G



F74G

Excelon design allows in-line installation or modular installation with other Excelon products

Quick release bayonet bowl

TECHNICAL DATA

Medium:

Compressed air only

Maximum inlet pressure:

10 bar

Ambient temperature:

-34°C ... +50°C

Consult our Technical Service for use below +2°C

MATERIALS

F72G:

Body: zinc

Transparent bowl: polycarbonate

Metal bowl: zinc

Liquid level indicator lens (metal bowl): transparent nylon

Element: sintered polypropylene

Elastomers: neoprene & nitrile

Optional service life indicator:

transparent nylon body, acetal

internal parts, stainless steel

spring, nitrile elastomers

F73G & F74G:

Body: aluminium

Transparent bowl: polycarbonate

Guarded transparent bowl:

polycarbonate with steel guard

Metal bowl: aluminium

Liquid level indicator lens (metal bowl): transparent nylon

Element: sintered polypropylene

Elastomers: neoprene & nitrile

Optional service life indicator:

transparent nylon body, acetal

internal parts, stainless steel

spring, nitrile elastomers

Port size	Flow* (dm ³ /s)	Bowl	kg	MODELS			Wall mounting bracket	SERVICE KIT	
				Auto drain	Semi-auto drain	Manual drain			
G 1/4	30	T	0,45	F72G-2GN-AL3	F72G-2GN-ST3	F72G-2GN-QT3	4224-50	F72G-KITA40	F72G-KITM40
G 3/8	30	T	0,45	F72G-3GN-AL3	F72G-3GN-ST3	F72G-3GN-QT3	4224-50	F72G-KITA40	F72G-KITM40
G 1/4	29	T	0,50	F73G-2GN-AT3		F73G-2GN-QT3	4424-50	F73G-KITA40	F73G-KITM40
G 3/8	35	T	0,50	F73G-3GN-AT3		F73G-3GN-QT3	4424-50	F73G-KITA40	F73G-KITM40
G 1/2	38	T	0,50	F73G-4GN-AT3		F73G-4GN-QT3	4424-50	F73G-KITA40	F73G-KITM40
G 3/8	66	GT	0,80	F74G-3GN-AP3		F74G-3GN-QP3	4324-50	F74G-KITA40	F74G-KITM40
G 1/2	83	GT	0,81	F74G-4GN-AP3		F74G-4GN-QP3	4324-50	F74G-KITA40	F74G-KITM40
G 3/4	83	GT	0,79	F74G-6GN-AP3		F74G-6GN-QP3	4324-50	F74G-KITA40	F74G-KITM40

T=Transparent bowl *Typical flow with 6.3 bar inlet pressure and 0.5 bar pressure drop

GT= Guarded transparent bowl *Typical flow with 6.3 bar inlet pressure and 0.5 bar pressure drop

ACCESSORIES

Series	Port size	3/2 Shut-off valve*	Quikclamp	Quikclamp and quikclamp wall bracket	Silencer (shut-off valve)
F72G	G1/4	T72T-2GA-P1N	4214-51	4214-52	T40M0500
	G3/8	T72T-3GA-P1N	4214-51	4214-52	T40M0500
F73G	G1/4	T73T-2GA-P1N	4314-51	4314-52	T40M0500
	G3/8	T73T-3GA-P1N	4314-51	4314-52	T40M0500
	G1/2	T73T-4GA-P1N	4314-51	4314-52	T40M0500
F74G	G3/8	T74T-3GA-P1N	4314-51	4314-52	T40B1800
	G1/2	T74T-4GA-P1N	4314-51	4314-52	T40B1800
	G3/4	T74T-6GA-P1N	4314-51	4314-52	T40B1800

*Threaded exhaust port

For further information



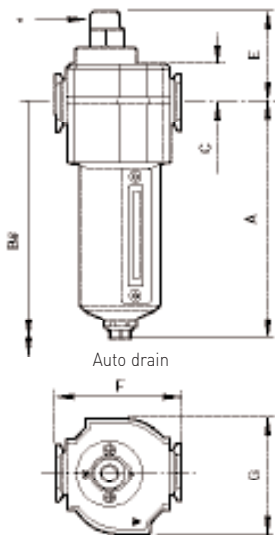
www.norgren.com/info/nec/en6-034

OPTIONS SELECTOR

F7★G-★-★-★-★-★

Series	Substitute	Element	Substitute
72	2	5 µm	1
73	3	40 µm	3
74	4		
Port size	Substitute	Bowl	Substitute
1/4 (72 & 73)	2	Metal with liquid level indicator	D
3/8	3	Long metal with liquid indicator (72)	E
1/2 (73 & 74)	4	Transparent without guard (72, 73)	T
3/4 (74)	6	Long transparent without guard (72)	L*
		Long transparent with guard (72)	W*
		Transparent with guard (73, 74)	P
Threads	Substitute	Drain	Substitute
PTF	A	1/4 turn manual	Q
ISO Rc taper	B	Semi automatic (72)	S
ISO G parallel	G	Auto drain*	A
Service life indicator	Substitute	* Supplied with long bowl option only	
With (visual)	D		
With (electrical)	E		
Without	N		

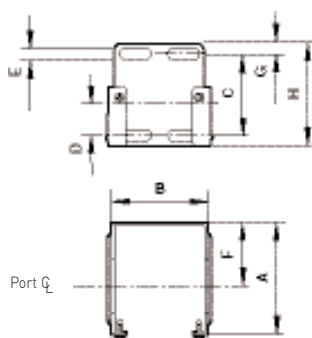
DIMENSIONS



Series	Drain	A	B	C	E	F	G
72	Semi-auto	164	215	19	53	50	48
	Auto	141	192	19	53	50	48
	Manual	134	185	19	53	50	48
73	Auto	147	207	25	60	68	62
	Manual	156	216	25	60	68	62
74	Auto	161	230	25	60	80	74
	Manual	177	246	25	60	80	74

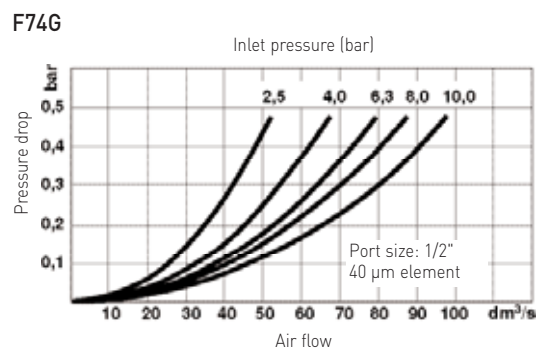
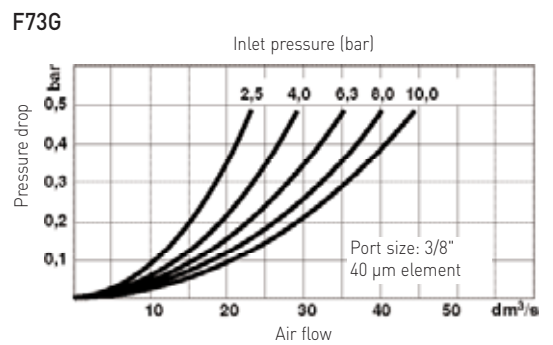
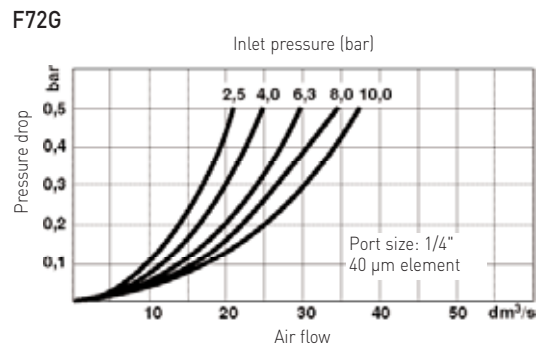
* Optional service indicator
Minimum clearance required to remove bowl

Bracket mounting



Series	A	B	C	D	E	F	G	H
72	60	42	39	18,6	4	38	6	51
73	67	60	48	19	7	38	6	61
74	79	69	50	20	5	51	6	61

FLOW CHARACTERISTICS



EXCELON[®] QUIKCLAMP SYSTEM

Oil removal filters

F72C, F73C, F74C, F74H - G1/4 ... G3/4



F72C



F74H

Excelon design allows in-line installation or modular installation with other Excelon products

High efficiency oil and particle removal

Quick release bayonet bowl

Service indicator standard

TECHNICAL DATA

Medium:

Compressed air

Maximum inlet pressure:

10 bar transparent bowl or guarded
8 bar transparent bowl F72C with auto drain

Remaining oil content:

0,01 mg/m³ at +21°C

Particle removal:

To 0,01 µm

Ambient temperature:

-34°C ... +50°C

Consult our Technical Service for use below +2°C

MATERIALS

F72C:

Body: zinc

Transparent bowl: polycarbonate

Metal bowl: zinc

Liquid level indicator lens (metal bowl): transparent nylon

Element: synthetic fibre & polyurethane foam

Elastomers: neoprene & nitrile

Service life indicator: transparent nylon body, acetal internal parts, stainless steel spring, nitrile elastomers

F73C, F74C, F74H:

Body: aluminium

Transparent bowl: polycarbonate

Guarded transparent bowl: polycarbonate with steel guard

Metal bowl: aluminium

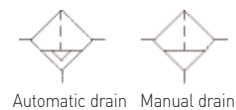
Liquid level indicator lens (metal bowl): transparent nylon (Pyrex optional)

Element: synthetic fibre & polyurethane foam

Elastomers: neoprene & nitrile

Service life indicator: transparent nylon body, acetal internal parts, stainless steel spring, nitrile elastomers

		MODELS						ACCESSORIES	SERVICE KIT
Port size	Flow* (dm ³ /s)	Bowl	kg	Auto drain	Semi-auto drain	Manual drain	Wall mounting bracket		
G 1/4	4,5	T	0,40	F72C-2GD-ALO	F72C-2GD-STO	F72C-2GD-QTO	4224-50	F72C-KITA0C	
G 3/8	4,5	T	0,40	F72C-3GD-ALO	F72C-3GD-STO	F72C-3GD-QTO	4224-50	F72C-KITA0C	
G 1/4	10	T	0,54	F73C-2GD-ATO		F73C-2GD-QTO	4424-50	F73C-KITA0C	
G 3/8	10	T	0,54	F73C-3GD-ATO		F73C-3GD-QTO	4424-50	F73C-KITA0C	
G 1/2	10	T	0,54	F73C-4GD-ATO		F73C-4GD-QTO	4424-50	F73C-KITA0C	
G 3/8	16	GT	0,85	F74C-3GD-AP0		F74C-3GD-QP0	4324-50	F74C-KITA0C	
G 1/2	16	GT	0,83	F74C-4GD-AP0		F74C-4GD-QP0	4324-50	F74C-KITA0C	
G 1/2	28	GT	0,11	F74H-4GD-AP0		F74H-4GD-QP0	4324-50	F74H-KITA0C	
G 3/4	28	GT	0,10	F74H-6GD-AP0		F74H-6GD-QP0	4324-50	F74H-KITA0C	



T=Transparent bowl *To maintain stated oil content at 6.3 bar inlet pressure
GT= Guarded transparent bowl

For further information



www.norgren.com/info/nec/en6-036

OPTIONS SELECTOR

F7***-***-***0

Series	Substitute
72	2C
73	3C
74	4C
74 (High flow)	4H

Port size	Substitute
1/4	2
3/8	3
1/2	4
3/4	6

Threads	Substitute
PTF	A
ISO Rc taper	B
ISO G parallel	G

Bowl	Substitute
Metal with liquid level indicator	D
Long metal with liquid level indicator [72]	E
Transparent without guard [72, 73]	T
Long transparent without guard [72]	L*
Long transparent with guard [72]	W*
Transparent with guard [73, 74]	P

Drain	Substitute
1/4 turn manual	Q
Semi automatic [72]	S
Auto drain*	A

Service life indicator	Substitute
With (visual)	D
With (electrical)	E
Without	N

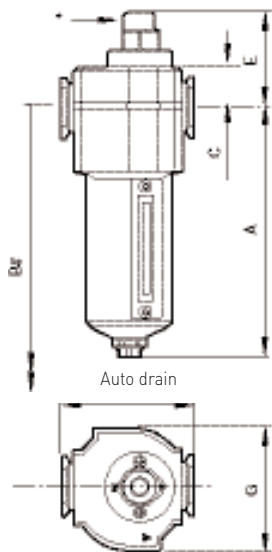
* Supplied with long bowl options only

TYPICAL PERFORMANCE CHARACTERISTICS

Inlet pressure (bar)	Maximum flow dm ³ /s*			
	F72C	F73C	F74C	F74H
1	1,8	4,0	6,4	11,2
3	3,1	6,9	11,0	19,3
5	4,0	8,9	14,3	24,9
6,3	4,5	10,0	16,0	28,0
7	4,7	10,5	16,9	29,5
9	5,4	12,0	19,1	33,5

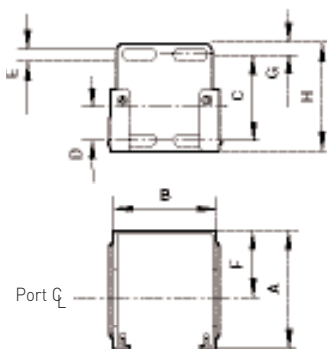
* Maximum flow to maintain stated oil removal performance

DIMENSIONS



* Standard service indicator
Minimum clearance required to remove bowl

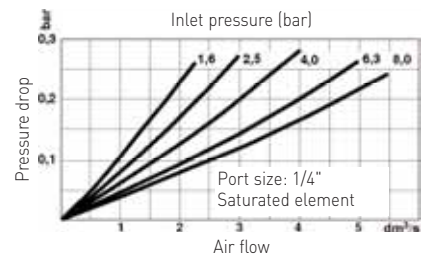
Bracket mounting



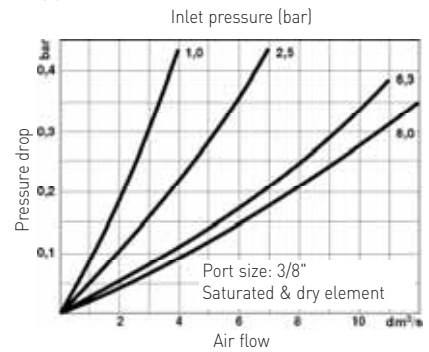
Series	Drain	A	B	C	E	F	G
F72C	Semi-auto	164	215	19	53	50	48
	Auto	141	192	19	53	50	48
	Manual	134	185	19	53	50	48
F73C	Auto	147	207	25	60	68	62
	Manual	156	216	25	60	68	62
F74C	Auto	161	230	25	60	80	74
	Manual	177	246	25	60	80	74
F74H	Auto	215	284	25	60	80	74
	Manual	230	300	25	60	80	74

FLOW CHARACTERISTICS

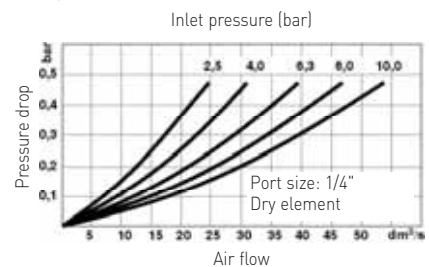
F72C



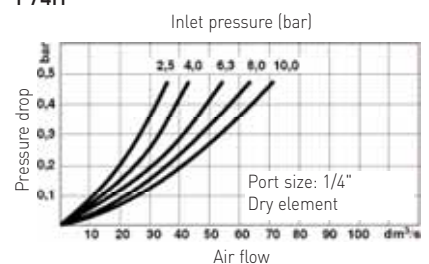
F73C



F74C



F74H



EXCELON[®] QUIKCLAMP SYSTEM

Oil vapour removal filters

F72V, F74V - G1/4 ... G3/4



F72V

F74V

Excelon design allows in-line or modular installation with other Excelon products

Adsorbing type activated carbon element removes oil vapours and most hydrocarbon odours

Quick release bayonet bowl

High intensity blue colour change indication (F72V)

TECHNICAL DATA

Medium:

Compressed air

Maximum inlet pressure:

10 bar (F72V)

17 bar (F74V)

Remaining oil content:

0,003 mg/m³ max. at +21°C

Ambient temperature:

Transparent bowl: -34°C ... +50°C (F72V)

Metal bowl: -34°C ... +65°C (F74V)

Consult our Technical Service for use below +2°C

MATERIALS

F72V:

Body: zinc

Transparent bowl: polycarbonate

Metal bowl: zinc

Element: activated carbon & polycarbonate

Elastomers: nitrile

F74V:

Body & bowl: aluminium

Element: activated carbon & aluminium

Elastomers: neoprene & nitrile

Port size	Flow* (dm ³ /s)	Bowl	kg	MODELS		ACCESSORIES	SERVICE KIT
						Wall mounting bracket	
G 1/4	1,6	T	0,52	F72V-2GN-ETC		4224-50	F72V-KITA0V
G 3/8	1,6	T	0,52	F72V-3GN-ETC		4224-50	F72V-KITA0V
G 3/8	13	M	1,15	F74V-3GN-EMA		4324-50	F74V-KITA0V
G 1/2	13	M	1,14	F74V-4GN-EMA		4324-50	F74V-KITA0V
G 3/4	13	M	1,12	F74V-6GN-EMA		4324-50	F74V-KITA0V



T=Transparent bowl * To maintain stated oil content at 6.3 bar inlet pressure

M= Metal bowl

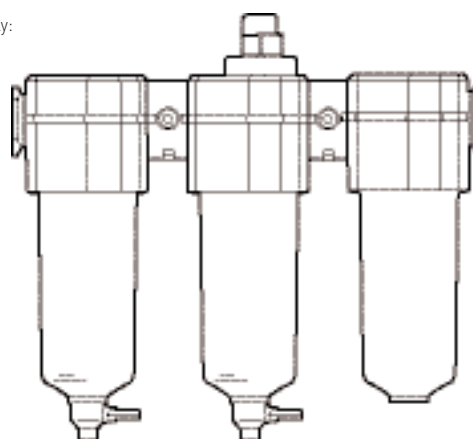
TYPICAL PERFORMANCE CHARACTERISTICS

Inlet pressure (bar)	Maximum flow dm ³ /s*	
	F72V	F74V
2,5	1,0	8,7
4	1,3	10,7
6,3	1,6	13,3
8	1,8	15,6
10	2,0	17,6

* Maximum flow to maintain stated oil removal performance

Oil vapour removal filters must be protected upstream by an oil removal filter.

A typical assembly:



General purpose filter

Oil removal filter

Oil vapour removal filter

For further information



www.norgren.com/info/nec/en6-038

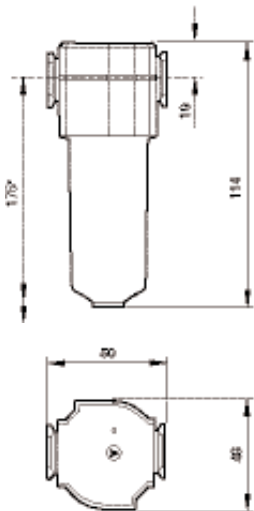
ACCESSORIES

Series	Port size	Quikclamp	Quikclamp and quikclamp wall bracket
F72V	G1/4	4214-51	4214-52
	G3/8	4214-51	4214-52
F74V	G3/8	4314-51	4314-52
	G1/2	4314-51	4314-52
	G3/4	4314-51	4314-52



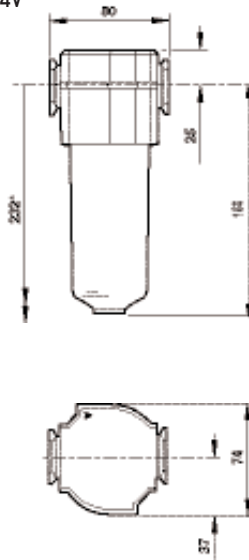
DIMENSIONS

F72V



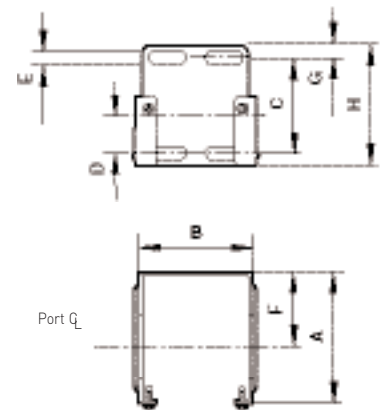
* Minimum clearance required to remove bowl

F74V



* Minimum clearance required to remove bowl

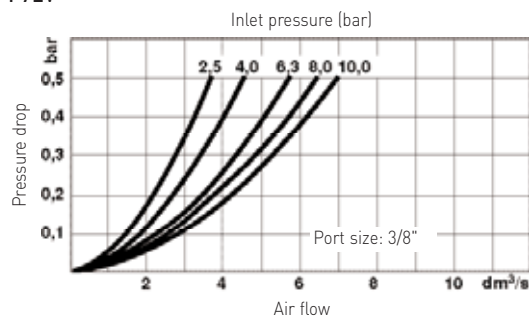
Bracket mounting



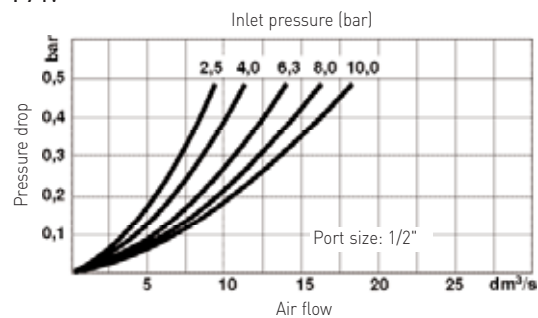
Series	A	B	C	D	E	F	G	H
72	60	42	39	18,6	4	38	6	51
74	79	69	50	20	5	51	6	61

FLOW CHARACTERISTICS

F72V



F74V



EXCELON[®] QUIKCLAMP SYSTEM

Pressure regulators

R72G, R73G, R74G - G1/4 ... G3/4



R72G



R73G



R74G

Excelon design allows in-line or modular installation

Balanced valve design for optimum pressure control

Push to lock adjusting knob with tamper resistant accessory

TECHNICAL DATA

Medium:

Compressed air

Maximum inlet pressure:

20 bar

Gauge ports:

Rc1/8

Ambient temperature:

-34°C ... +65°C (R72G)

-34°C ... +80°C (R73G & R74G)

Consult our Technical Service for use below +2°C

Pressure range:

0.3 ... 10 bar R72G

0.3 ... 17 bar R73G, R74G

MATERIALS

R72G:

Body: zinc

Bonnet & bottom plug: acetal

Valve: brass

Elastomers: nitrile

R73G & R74G:

Body & bonnet: aluminium

Valve: brass

Elastomers: nitrile

Bottom plug: acetal

Port size	Flow* (dm ³ /s)	kg	MODELS	ACCESSORIES				SERVICE KIT
				Wall mounting bracket	Neck mounting bracket	Gauge 0 ... 10 bar	Tamper resistant kit	
G 1/4	33	0,36	R72G-2GK-RMN	4224-50	74316-50	18-013-989	4255-51	R72G-KITR
G 3/8	33	0,36	R72G-3GK-RMN	4224-50	74316-50	18-013-989	4255-51	R72G-KITR
G 1/4	50	0,48	R73G-2GK-RMN	4424-50	4461-50	18-013-013	4455-51	R73G-KITR
G 3/8	60	0,48	R73G-3GK-RMN	4424-50	4461-50	18-013-013	4455-51	R73G-KITR
G 1/2	60	0,48	R73G-4GK-RMN	4424-50	4461-50	18-013-013	4455-51	R73G-KITR
G 3/8	98	0,82	R74G-3GK-RMN	4324-50	4368-51	18-013-013	4355-51	R74G-KITR
G 1/2	105	0,80	R74G-4GK-RMN	4324-50	4368-51	18-013-013	4355-51	R74G-KITR
G 3/4	105	0,78	R74G-6GK-RMN	4324-50	4368-51	18-013-013	4355-51	R74G-KITR

* Typical flow with 10 bar inlet pressure, 6.3 bar set pressure and 1 bar drop from set

ACCESSORIES

Series	Port size	3/2 Shut-off valve*	Quikclamp	Quikclamp and quikclamp wall bracket	Silencer (shut-off valve)
R72G	G1/4	T72T-2GA-P1N	4214-51	4214-52	T40M0500
	G3/8	T72T-3GA-P1N	4214-51	4214-52	T40M0500
R73G	G1/4	T73T-2GA-P1N	4314-51	4314-52	T40M0500
	G3/8	T73T-3GA-P1N	4314-51	4314-52	T40M0500
	G1/2	T73T-4GA-P1N	4314-51	4314-52	T40M0500
R74G	G3/8	T74T-3GA-P1N	4314-51	4314-52	T40B1800
	G1/2	T74T-4GA-P1N	4314-51	4314-52	T40B1800
	G3/4	T74T-6GA-P1N	4314-51	4314-52	T40B1800

*Threaded exhaust port

For further information



www.norgren.com/info/nec/en6-040

OPTIONS SELECTOR

R7★G-★-★-★-★-★

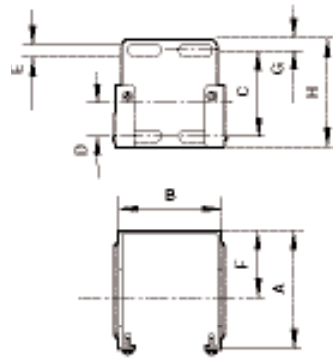
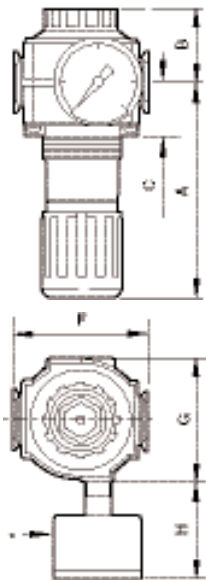
Series	Substitute	Gauge	Substitute
72	2	With	G
73	3	Without	N
74	4		
Port size	Substitute	Outlet pressure adjustment range*	Substitute
1/4" (72 & 73)	2	0,3 ... 2 bar (72)	C
3/8"	3	0,3 ... 4 bar	F
1/2" (73 & 74)	4	0,3 ... 10 bar	M
3/4" (74)	6	0,7 ... 17 bar** (73, 74)	S
Threads	Substitute	Diaphragm	Substitute
PTF	A	Relieving	R
ISO Rc taper	B	Non relieving	N
ISO G parallel	G	Adjustment	Substitute
		Knob	K
		T-bar	T

*Outlet pressure can be adjusted to pressures in excess of, and less than, those specified. Do not use these units to control pressures outside of the specified ranges.

**Units with 17 bar outlet pressure range are available only with the T-bar adjustment; therefore substitute T at the 7th position and S at the 9th position.

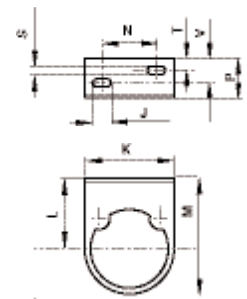
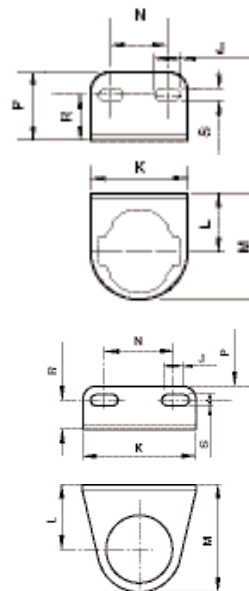
DIMENSIONS

Bracket mounting



Series	A	B	C	D	E	F	G	H
72	60	42	39	19	4	38	6	51
73	67	60	48	19	7	38	6	61
74	79	69	50	20	5	51	6	61

Neck mounting bracket



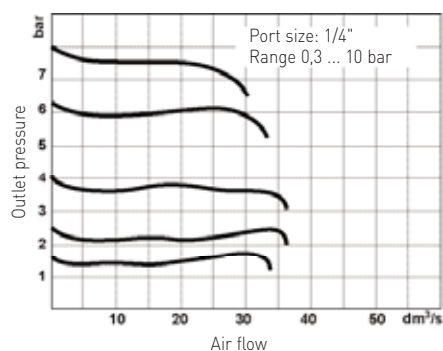
Series	A	B	C	F	G	H	Panel Ø	Panel depth
72	73	33	26	50	48	35	40	0 ... 4
73	96	39	31	68	62	56	48	2 ... 6
74	127	43	31	80	74	56	52	2 ... 6

Series	J	K	L	M	N	P	R	S	T	V
72	8	49	38	63,5	30	24	-	4,4	7	10
73	17	64	38	70	38	38	25	7	-	-
74	24	89	52	86	56	35	23	7	-	-

FLOW CHARACTERISTICS

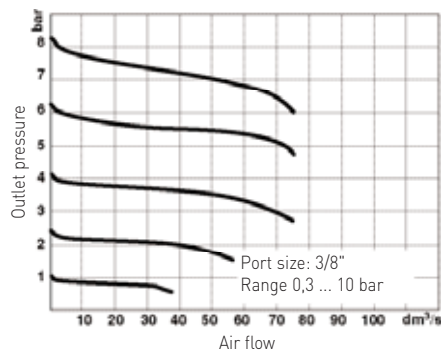
R72G

Inlet pressure (10 bar)



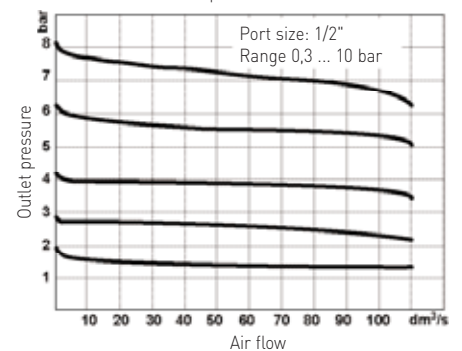
R73G

Inlet pressure (10 bar)



R74G

Inlet pressure (10 bar)



EXCELON® QUIKCLAMP SYSTEM

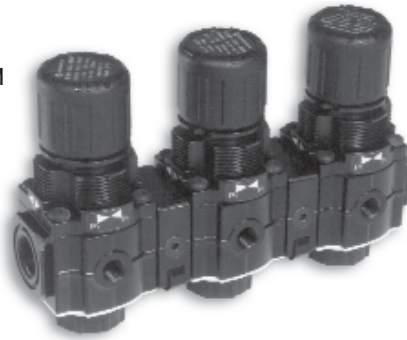
Manifold regulator

R72M, R74M - G1/4, G3/8, G1/2, G3/4

R74M



R72M



Excelon® design allows in-line or modular installation

Manifold typically up to six regulators without booster signal

TECHNICAL DATA

Fluid:

Compressed air

R72M

Maximum Inlet pressure:

20 bar

Operating temperature*:

-34°C ... 65°C [-30°F ... 150°F]

*Consult our Technical Service for use below +2°C

Ports:

Inlet ports (2):

1/4" or 3/8" PTF or ISO G

Outlet port (1):

1/4" PTF with PTF inlet ports, or

1/4" ISO Rc with ISO G inlet ports

Gauge port (1):

1/8" PTF with PTF inlet ports

1/8" ISO Rc with ISO G inlet ports

MATERIALS

Body: Zinc
Bonnet: Acetal
(Zinc on (17 bar) T-handle version)
Valve: Brass
Elastomers: Nitrile
Bottom plug: Acetal

R74M

Maximum Inlet pressure:

20 bar

Operating temperature*:

R74M: -34°C ... 80°C

*Consult our Technical Service for use below +2°C

Ports:

Inlet ports (2):

1/2" or 3/4" PTF or ISO G

Outlet port (1):

1/2" PTF with PTF inlet ports, or

1/2" ISO Rc with ISO G inlet ports

Gauge port (1):

1/8" PTF with PTF inlet ports

1/8" ISO Rc with ISO G inlet ports

MATERIALS

Body: Aluminum
Bonnet: Aluminum
Elastomers: Nitrile
Bottom plug: Acetal

Inlet port (2)	Outlet port (1)	Flow† dm³/s	kg	MODELS	SERVICE KIT	
	G1/4	G1/4	39	0,36		
	G3/8	G1/4	39	0,36		
	G1/2	G1/2	105	0,80		
	G3/4	G1/2	105	0,78		
				R72M-2GK-RMN R72M-3GK-RMN R74M-4GK-RMN R74M-6GK-RMN	4381-500 4381-500 4381-700 4381-700	

† Typical flow with 10 bar (150 psig) inlet pressure, 6,3 bar (90 psig) set pressure and a 1 bar (15 psig) droop from set

OPTIONS SELECTOR

R**M-***-***-***

Series	Substitute	Gauge	Substitute
72	2	With	G
74	4	Without	N
Inlet Port Size	Substitute	Outlet Pressure Adjustment Range*	Substitute
1/4"	2	0,3 ... 2 bar (R72M)	C
3/8"	3	0,3 ... 4 bar	F
1/2"	4	0,3 ... 10 bar	M
3/4"	6	0,7 ... 17 bar**	S
Threads	Substitute	Diaphragm	Substitute
PTF	A	Relieving	R
ISO Rc taper	B	Non relieving	N
ISO G parallel	G	Adjustment	Substitute
		Knob	K
		T-bar	T

* Outlet pressure can be adjusted to pressures in excess of, and less than, those specified. Do not use these units to control pressures outside of the specified ranges.

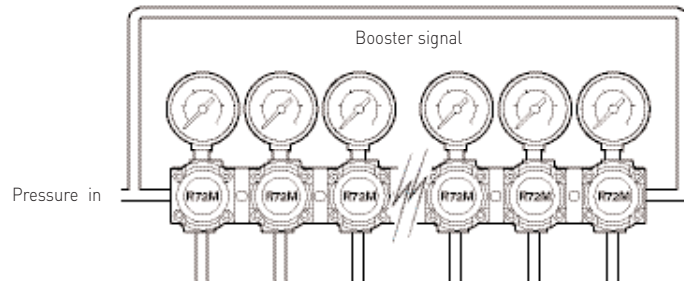
** Units with 250 psig (17 bar) outlet pressure range are available only with the T-bar adjustment. Substitute "T" in the 7th position and "S" in the 9th position.

For further information



www.norgren.com/info/nec/en6-042

Typical manifold regulator application (R72M shown)

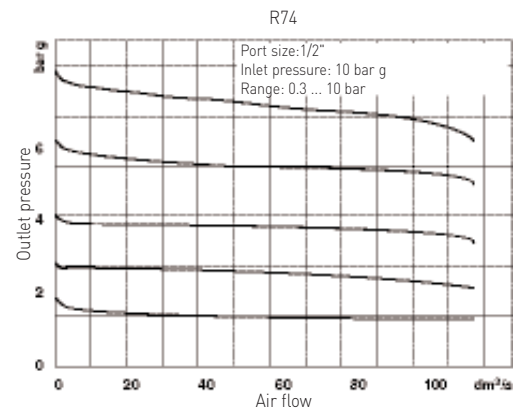
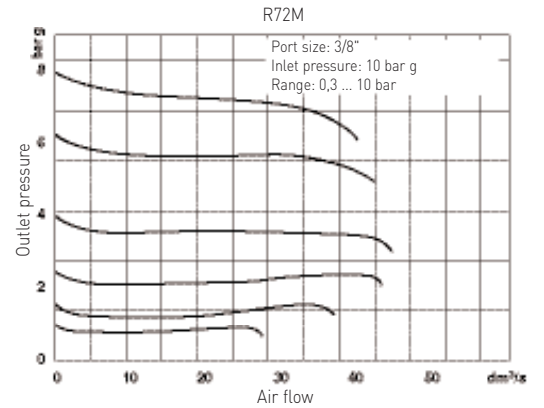


ACCESSORIES

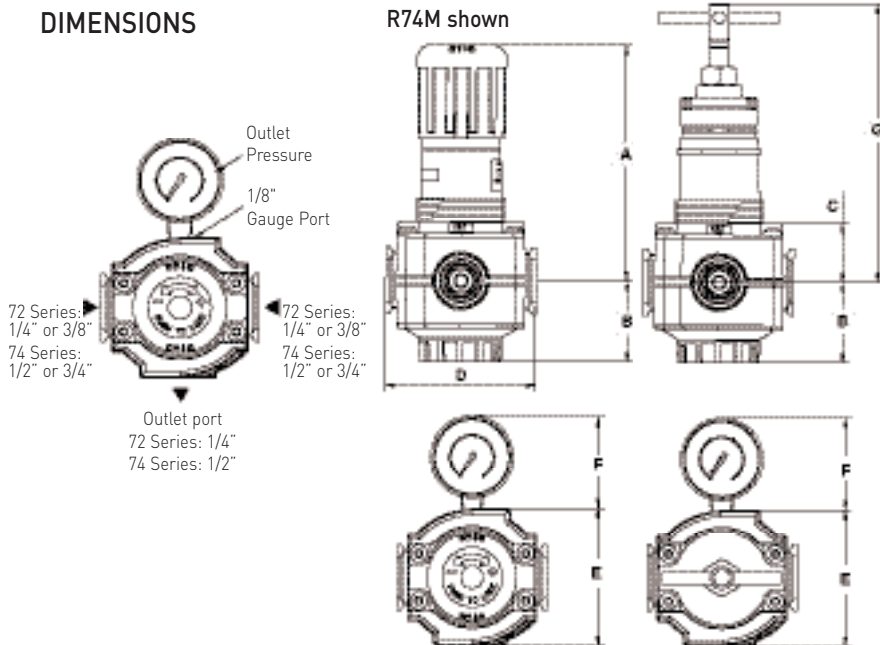
	Port size	Quikclamp	Quikclamp and quikclamp wall bracket	Gauge 0...10 bar
R72M	GG1/4...G3/8			
		4214-51	4214-52	18-013-027
R74M	G3/8...G3/4	4314-51	4314-52	18-013-209

*Threaded exhaust port

FLOW CHARACTERISTICS

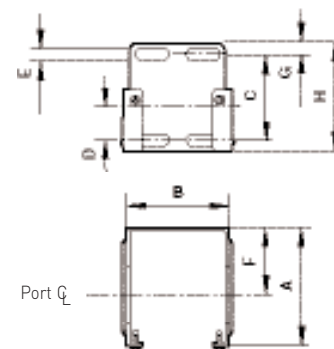


DIMENSIONS



Series	A	B	C	D	E	F	G	Panel Ø	Panel depth
72	73	33	26	50	48	48	102/108	39	0 ... 4
74	127	43	31	80	74	69	149	52	1,8 ... 6

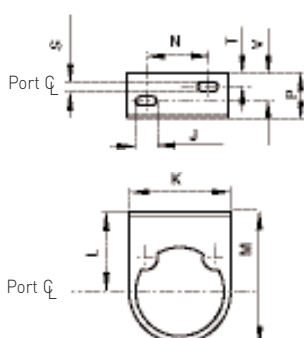
Mounting bracket



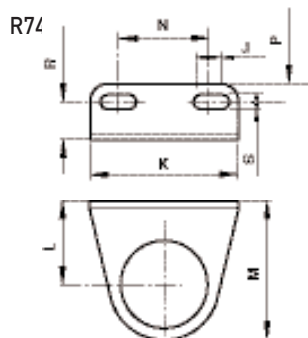
Series	A	B	C	D	E	F	G	H
72	60	42	39	19	4	38	6	51
74	79	69	50	20	5	51	6	61

Neck mounting brackets

R72



R74



Series	J	K	L	M	N	P	R	S	T	V
72	8	49	38	64	30	24	-	4	8	15
74	24	89	52	86	56	35	23	7	-	-

EXCELON[®] QUIKCLAMP SYSTEM

Filter/regulators

B72G, B73G, B74G - G1/4 ... G3/4



B72G

B73G

B74G

Excelon design allows in-line installation or modular installation with other Excelon products

High efficiency water and particle removal

Quick release bayonet bowl

Push to lock adjusting knob with tamper resistant accessory

TECHNICAL DATA

Medium:

Compressed air only

Maximum inlet pressure:

10 bar

Pressure range:

0.3 .. 10 bar transparent bowl

0.3 .. 17 bar metal bar

0.3 .. 10 bar B72G automatic drain

Gauge ports:

Rc1/8

Ambient temperature:

-34°C ... +50°C

Consult our Technical Service for use below +2°C

MATERIALS

B72G:

Body: zinc

Bonnet: acetal

Valve: brass

Transparent bowl: polycarbonate

Metal bowl: zinc

Liquid level indicator lens (metal bowl): transparent nylon

Element: sintered polypropylene

Elastomers: neoprene & nitrile

B73G & B74G:

Body & bonnet: aluminium

Valve: brass

Transparent bowl: polycarbonate

Guarded transparent bowl:

polycarbonate with steel

Metal bowl: aluminium

Liquid level indicator lens (metal bowl): transparent nylon (Pyrex optional)

Element: sintered polypropylene

Elastomers: neoprene & nitrile

Port size	Flow* [dm ³ /s]	Bowl kg	MODELS		ACCESSORIES				SERVICE KIT		
			Auto drain	Manual drain	Wall mounting bracket	Neck mounting bracket	Gauge 0...10 bar	Tamper resistant kit	Auto drain	Manual drain	
G1/4	38	T	0,6	B72G-2GK-AL3-RMN	B72G-2GK-QT3-RMN	4224-50	74316-50	18-013-989	4255-51	B72G-KITA40R	B72G-KITM40R
G3/8	38	T	0,6	B72G-3GK-AL3-RMN	B72G-3GK-QT3-RMN	4224-50	74316-50	18-013-989	4255-51	B72G-KITA40R	B72G-KITM40R
G1/4	49	T	0,7	B73G-2GK-AT3-RMN	B73G-2GK-QT3-RMN	4424-50	4461-50	18-013-013	4455-51	B73G-KITA40R	B73G-KITM40R
G3/8	50	T	0,7	B73G-3GK-AT3-RMN	B73G-3GK-QT3-RMN	4424-50	4461-50	18-013-013	4455-51	B73G-KITA40R	B73G-KITM40R
G1/2	50	T	0,7	B73G-4GK-AT3-RMN	B73G-4GK-QT3-RMN	4424-50	4461-50	18-013-013	4455-51	B73G-KITA40R	B73G-KITM40R
G3/8	77	GT	1,3	B74G-3GK-AP3-RMN	B74G-3GK-QP3-RMN	4324-50	4368-51	18-013-013	4355-51	B74G-KITA40R	B74G-KITM40R
G1/2	100	GT	1,3	B74G-4GK-AP3-RMN	B74G-4GK-QP3-RMN	4324-50	4368-51	18-013-013	4355-51	B74G-KITA40R	B74G-KITM40R
G3/4	100	GT	1,3	B74G-6GK-AP3-RMN	B74G-6GK-QP3-RMN	4324-50	4368-51	18-013-013	4355-51	B74G-KITA40R	B74G-KITM40R

T=Transparent bowl *Typical flow with 10 bar inlet pressure, 6.3 set pressure and 1 bar drop from set
GT= Guarded transparent bowl

ACCESSORIES

Series	Port size	3/2 Shut-off valve*	Quikclamp	Quikclamp and quikclamp wall bracket	Silencer (shut-off valve)
B72G	G1/4	T72T-2GA-P1N	4214-51	4214-52	T40M0500
	G3/8	T72T-3GA-P1N	4214-51	4214-52	T40M0500
B73G	G1/4	T73T-2GA-P1N	4314-51	4314-52	T40M0500
	G3/8	T73T-3GA-P1N	4314-51	4314-52	T40M0500
	G1/2	T73T-4GA-P1N	4314-51	4314-52	T40M0500
B74G	G3/8	T74T-3GA-P1N	4314-51	4314-52	T40B1800
	G1/2	T74T-4GA-P1N	4314-51	4314-52	T40B1800
	G3/4	T74T-6GA-P1N	4314-51	4314-52	T40B1800

*Threaded exhaust port

For further information



OPTIONS SELECTOR

B7★G-★-★-★-★-★-★-★-★

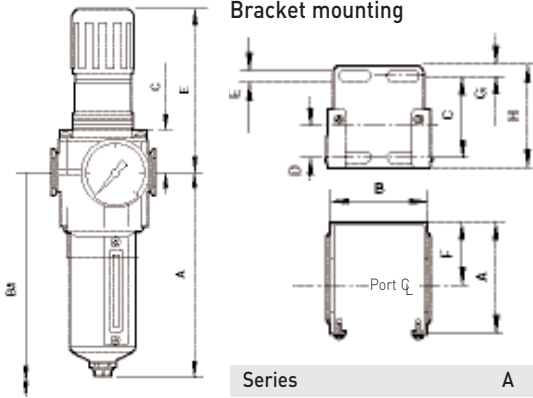
Series	Substitute	←	Gauge	Substitute
72	2		With	G
73	3		Without	N
74	4			
Port size	Substitute	←	Outlet pressure adjustment range*	Substitute
1/4" [72 & 73]	2		0,3 ... 2 bar [72]	C
3/8"	3		0,3 ... 4 bar	F
1/2" [73 & 74]	4		0,3 ... 10 bar	M
3/4" [74]	6		0,7 ... 17 bar [73, 74]	S
Threads	Substitute	←	Diaphragm	Substitute
PTF	A		Relieving	R
ISO Rc taper	B		Non relieving	N
ISO G parallel	G			
Adjustment	Substitute	←	Element	Substitute
Knob	K		5 μm	1
T-bar	T		40 μm	3
Drain	Substitute	←	Bowl	Substitute
1/4 turn manual	Q		Metal with liquid level indicator	D
Semi automatic [72]	S		Long metal with liquid level indicator [72]	E
Auto drain**	A		Transparent without guard [72, 73]	T
			Long transparent without guard [72]	L
			Long transparent with guard [72]	W
			Transparent with guard [73,74]	P

* Outlet pressure can be adjusted to pressures in excess of, and less than, those specified. Do not use these units to control pressures outside of the specified ranges.

**Supplied in long bowl options only

DIMENSIONS

Bracket mounting

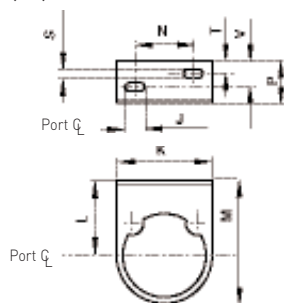


Series		A	B	C	D	E	F	G	H
B72G		60	42	39	18,6	4	38	6	51
B73G		67	60	48	19	7	38	6	61
B74G		79	69	50	20	5	51	6	6

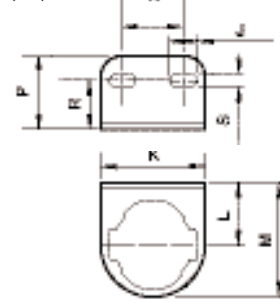
Series	Drain	A	B	C	E	F	G	H	Panel Ø	Panel depth
B72G	Semi-auto	164	215	26	73	50	48	35	40	0 ... 4
B72G	Auto	141	192	26	73	50	48	35	40	0 ... 4
B72G	Manual	134	185	26	73	50	48	35	40	0 ... 4
B73G	Auto	147	207	31	96	68	62	56	48	2 ... 6
B73G	Manual	156	216	31	96	68	62	56	48	2 ... 6
B74G	Auto	161	230	31	127	80	74	56	52	2 ... 6
B74G	Manual	177	246	31	127	80	74	56	52	2 ... 6

* Optional gauge.
Minimum clearance required to remove bowl.

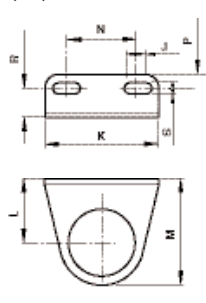
Neck mounting bracket [72]



[73]



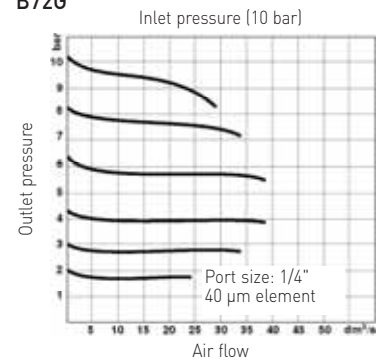
[74]



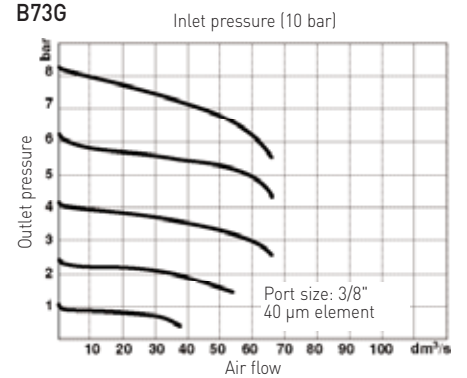
Series	J	K	L	M	N	P	R	S	T	V
B72G	8	49	38	63,5	30	24	-	4,4	8	15
B73G	17	64	38	70	38	38	25	7	-	-
B74G	24	89	52	86	56	35	23	7	-	-

FLOW CHARACTERISTICS

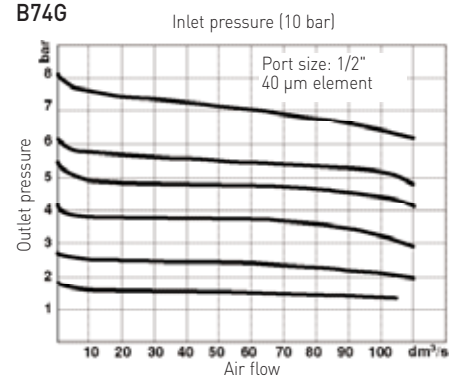
B72G



B73G



B74G



EXCELON[®] QUIKCLAMP SYSTEM

Lubricators

L72, L73, L74 - G1/4 ... G3/4



L72

L73

L74

Excelon design allows in-line or modular installation

Flow sensor provides a nearly constant oil/air ratio over a wide range of flows

All round (360°) visibility of sight-feed dome for ease of drip rate setting

Micro-fog lubricators for best lubrication in general purpose pneumatic applications

TECHNICAL DATA

Medium:

Compressed air

Maximum inlet pressure:

10 bar

Start point:

L72M 0,94 dm³/s

L73M 0,71 dm³/s

L74M 0,94 dm³/s

Minimum flow required for lubricator operation at 6,3 bar inlet pressure

Bowl capacity:

L72 0.05 l

L73 0.10 l

L74 0.20 l

Ambient temperature:

-20°C ... +50°C

Consult our Technical Service for use below +2°C

MATERIALS

L72M, L72C:

Body: zinc

Transparent bowl: polycarbonate

Metal bowl: zinc

Liquid level indicator lens (metal bowl): transparent nylon

Sight-feed dome: transparent nylon

Elastomers: neoprene, nitrile & Geolast

L73M, L73C, L74M, L74C:

Body: aluminium

Transparent bowl: polycarbonate

Guarded transparent bowl:

polycarbonate with steel guard

Metal bowl: aluminium

Liquid level indicator lens (metal bowl, 0,1 & 0,2 litre): transparent nylon (Pyrex optional)

Sight-feed dome: transparent nylon

Elastomers: neoprene & nitrile

Port size	Flow* (dm ³ /s)	Bowl	kg	MODELS	ACCESSORIES	SERVICE KIT
					Wall mounting bracket	
G 1/4	24	T	0,49	L72M-26P-ETN	4224-50	L72M-KIT
G 3/8	24	T	0,49	L72M-36P-ETN	4224-50	L72M-KIT
G 1/4	50	T	0,49	L73M-26P-ETN	4424-50	L73M-KIT
G 3/8	64	T	0,55	L73M-36P-ETN	4424-50	L73M-KIT
G 1/2	64	T	0,55	L73M-46P-ETN	4424-50	L73M-KIT
G 3/8	50	GT	0,60	L74M-36P-QPN	4324-50	L74M-KIT
G 1/2	70	GT	0,60	L74M-46P-QPN	4324-50	L74M-KIT
G 3/4	70	GT	0,90	L74M-66P-QPN	4324-50	L74M-KIT

T=Transparent bowl * Typical flow with 6.3 bar inlet and 0.5 bar pressure drop
GT= Guarded transparent bowl

ACCESSORIES

Series	Port size	3/2 Shut-off valve*	Quikclamp	Quikclamp and quikclamp wall bracket	Silencer (shut-off valve)
R72G	G1/4	T72T-2GA-P1N	4214-51	4214-52	T40M0500
	G3/8	T72T-3GA-P1N	4214-51	4214-52	T40M0500
R73G	G1/4	T73T-2GA-P1N	4314-51	4314-52	T40M0500
	G3/8	T73T-3GA-P1N	4314-51	4314-52	T40M0500
	G1/2	T73T-4GA-P1N	4314-51	4314-52	T40M0500
R74G	G3/8	T74T-3GA-P1N	4314-51	4314-52	T40B1800
	G1/2	T74T-4GA-P1N	4314-51	4314-52	T40B1800
	G3/4	T74T-6GA-P1N	4314-51	4314-52	T40B1800

*Threaded exhaust port

OPTIONS SELECTOR

L7***-***P-***

Series	Substitute
72*	2
73*	3
74	4

* Not available with 1 litre bowl

Type	Substitute
Oil-fog	C
Micro-fog	M

Port size	Substitute
1/4 (72 & 73)	2
3/8	3
1/2 (73 & 74)	4
3/4 (74)	6

Threads	Substitute
PTF	A
ISO Rc taper	B
ISO G parallel	G

Options	Substitute
Low oil level switch** (74)	L
None	N
Pyrex dome#	P
Quick fill nipple (73, 74)	Q

Bowl	Substitute
Metal with liquid level indicator	D
Metal with Pyrex sight glass	R
Transparent without guard (72, 73)	T
Long transparent without guard (72)	L
Long transparent with guard (72)	W
1 litre metal with Pyrex liquid level indicator‡ (74)	A
0,2 litre transparent with guard (73, 74)	P*

Drain	Substitute
Closed bottom	E
Manual 1/4 turn	Q

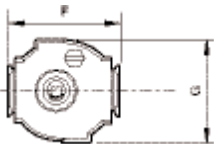
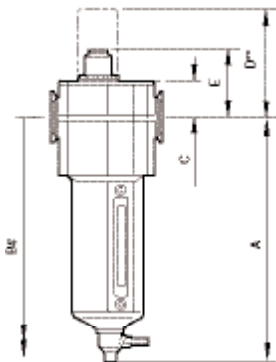
* Not available with 1 litre bowl

** Low oil level switch requires 1 litre bowl, type 'A' at 9th digit

Pyrex dome used only with bowl type 'A' or 'R' at 9th digit

‡ Pyrex liquid level indicator used only with option 'P' at 10th digit

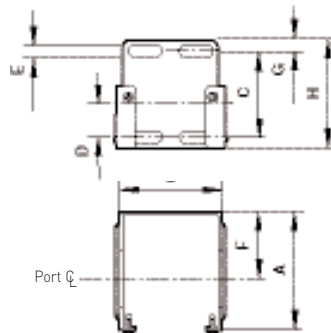
DIMENSIONS



** Optional Pyrex sight-feed dome
Minimum clearance required to remove bowl

Series	A	B	C	D	E	F	G
L72	110	191	19	64	41	50	48
L73	156	255	25	70	47	68	62
L74	177	276	25	68	47	80	74

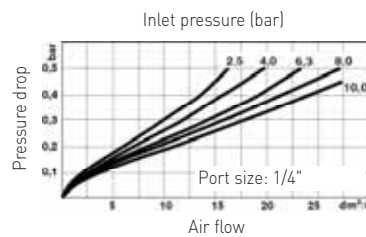
Bracket mounting



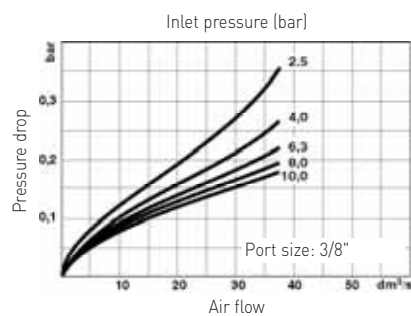
Series	A	B	C	D	E	F	G	H
L72	60	42	39	18,6	4	38	6	51
L73	67	60	48	19	7	38	6	61
L74	79	69	50	20	5	51	6	61

FLOW CHARACTERISTICS

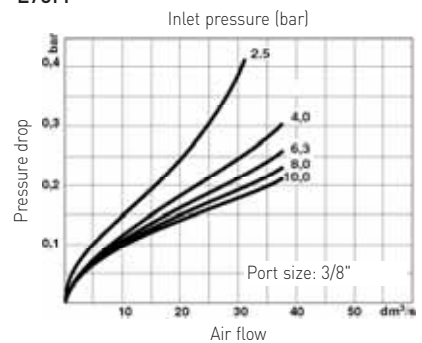
L72C/M



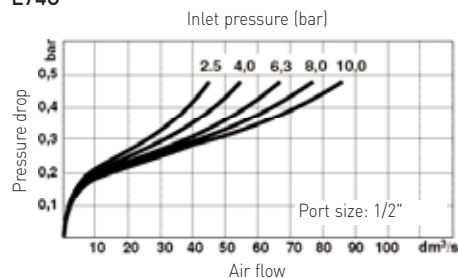
L73C



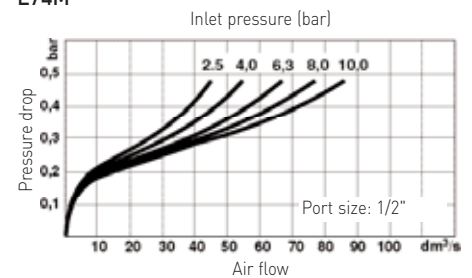
L73M



L74C



L74M



EXCELON® QUIKCLAMP SYSTEM

Pressure relief valves

V72G, V74G - G 1/4 ... G 3/4



V72G

V74G

Excelon design allows in-line installation or modular installation with other Excelon products

Push to lock adjusting knob with tamper resistant accessory

Helps protect air operated equipment from over pressurisation

Norgren pressure relief valves comply with category 0(S.E.P.) and category 1 of the Pressure Equipment Directive 97/23/EC.

TECHNICAL DATA

Medium:

Compressed air

Gauge ports:

Rc1/8

Relief port:

G1/4 (V72G), G1/2 (V74G)

Ambient temperature:

-34°C ... +65°C (V72G)

-34°C ... +80°C (V74G)

Consult our Technical Service for use below +2°C

Relief pressure adjustment range:

0.3 .. 10 bar V72G

0.3 .. 17 bar V74G

MATERIALS

V72G:

Body: zinc body

Bonnet: acetal

Valve: brass

Elastomers: neoprene

Bottom plug: acetal

V74G:

Body & bonnet: aluminium

Valve: aluminium and nitrile

Elastomers: nitrile

Bottom plug: acetal

Port size	kg	MODELS	ACCESSORIES					SERVICE KIT
			Wall mounting bracket	Neck mounting bracket	Gauge 0 ... 10 bar	Tamper resistant kit	Silencer	
G 1/4	0,33	V72G-2GK-NMN	4224-50	74316-50	18-013-989	4255-51	MB002B	V72G-KIT
G 3/8	0,33	V72G-3GK-NMN	4224-50	74316-50	18-013-989	4255-51	MB002B	V72G-KIT
G 3/8	0,69	V74G-3GK-NMN	4324-50	4368-51	18-013-013	4355-51	MB004B	V74G-KIT
G 1/2	0,68	V74G-4GK-NMN	4324-50	4368-51	18-013-013	4355-51	MB004B	V74G-KIT
G 3/4	0,67	V74G-6GK-NMN	4324-50	4368-51	18-013-013	4355-51	MB004B	V74G-KIT

Note: for Excelon 73 combinations use V74G

OPTIONS SELECTOR

V7★G-★★★★-N★★

Series	Substitute	Gauge	Substitute
72	2	With	G
74	4	Without	N
Port size	Substitute	Relief pressure adjustment range*	Substitute
1/4" (72)	2	0,3 ... 4 bar	F
3/8"	3	0,3 ... 10 bar	M
1/2" (74)	4	0,7 ... 17 bar (74)**	S
3/4" (74)	6	0,3 ... 2 bar (72)	C
Threads	Substitute	Adjustment	Substitute
PTF	A	Knob	K
ISO Rc taper	B	T-bar	T
ISO G parallel	G		

* Relief valve can be adjusted to pressures in excess of, and less than, those specified. Do not use these units to control pressures outside of the specified ranges.

**Units with 17 bar relief pressure range are available only with the T-bar adjustment; therefore substitute T at the 7th position and S at the 9th position.

For further information



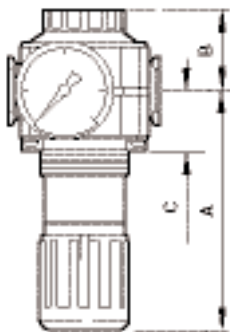
www.norgren.com/info/nec/en6-048

ACCESSORIES

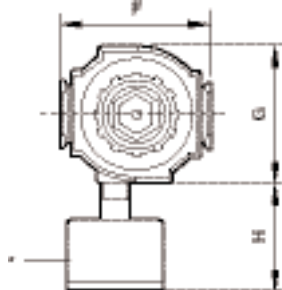
Series	Port size	3/2 Shut-off valve*	Quikclamp	Quikclamp and quikclamp wall bracket	Silencer (shut-off valve)
V72G	G1/4	T72T-2GA-P1N	4214-51	4214-52	T40M0500
	G3/8	T72T-3GA-P1N	4214-51	4214-52	T40M0500
V74G	G3/8	T74T-3GA-P1N	4314-51	4314-52	T40B1800
	G1/2	T74T-4GA-P1N	4314-51	4314-52	T40B1800
	G3/4	T74T-6GA-P1N	4314-51	4314-52	T40B1800

*Threaded exhaust port

DIMENSIONS

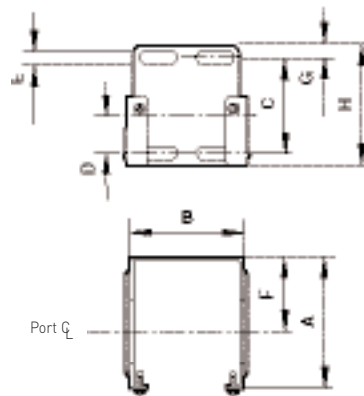


*Optional gauge



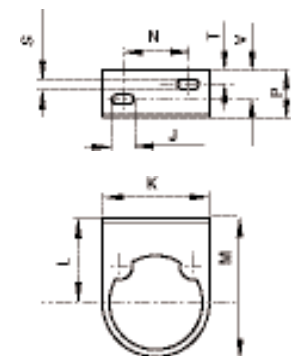
Series	A	B	C	F	G	H	Panel Ø	Panel depth
72	73	25	26	50	48	35	40	0 ... 4
74	127	43	31	80	74	56	52	2 ... 6

Bracket mounting

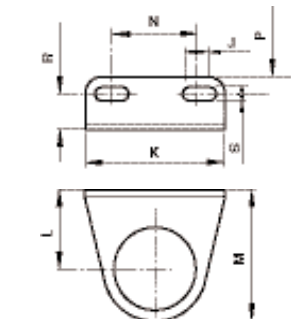


Series	A	B	C	D	E	F	G	H
72	60	42	39	18,6	4	38	6	51
74	79	69	50	20	5	51	6	61

Neck mounting bracket (72)

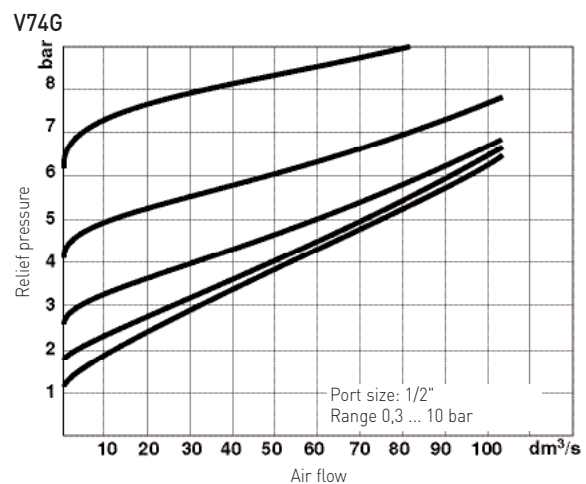
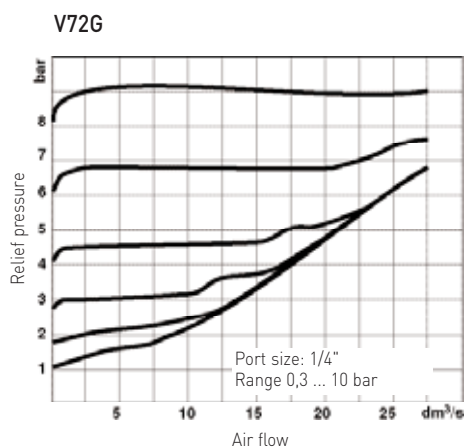


Neck mounting bracket (74)



Series	J	K	L	M	N	P	R	S	T	V
72	8,5	49	38	63,5	30	24	-	4,4	7	10
74	24	89	52	86	56	35	23	7	-	-

FLOW CHARACTERISTICS



EXCELON[®] QUIKCLAMP SYSTEM

Soft start/dump valves

P72F, P74F - G1/4 ... G3/4



P72F



P74F

Assists machine designers in complying with the European Machinery Directive

Can help existing machinery to comply with PUWER (Provision and Use of Work Equipment Regulations)

Controlled increase of downstream pressure on start up

High forward flow capacity

High flow dump facility

TECHNICAL DATA

Medium:

Compressed air

Maximum operating pressure:

10 bar (solenoid pilot operated)

17 bar (air pilot operated)

Minimum operating pressure:

3 bar

Ambient temperature:

-20°C ... + 65°C P72F

-20°C ... + 80°C P74F

Consult our Technical Service for use below +2°C
Solenoid rating max is 50°C whilst unit max may be higher

Air pilot port:

P72F M5

P74F Rc1/4

Exhaust port:

P72F Rc1/4

P74F G1/2

Maximum flow:

P72F 21 dm³/s

P74F 57 dm³/s

Note: Maximum flow with 6,3 bar inlet pressure and pressure drop of 0,5 bar

Snap pressure:

Full flow when downstream pressure reaches 50 to 80% of inlet pressure.

Snap pressure:

Full flow when downstream pressure reaches 50 to 80% of inlet pressure.

MATERIALS

P72F:

Body: zinc alloy

Elastomers: synthetic materials

Filter discs: sintered plastic

Internal components: brass/steel

P74F:

Body & intermediate body: aluminium

Elastomers: synthetic materials

Filter discs: sintered plastic

Internal components: brass/steel

Top plate & exhaust bonnet: zinc

	Port size	kg	MODELS		kg	Air pilot operated	ACCESSORIES	
			Solenoid pilot operated				Silencer	Connector plug with cable gland
<p>Solenoid pilot operated</p>	G1/4	2,0	P72F-2GC-PFN		<p>2,0</p>	P72F-2GA-NNN	<p>MB002B</p>	<p>M/P24121/1 70 ... 110 V a.c. Standard plug</p>
	G3/8	2,0	P72F-3GC-PFN					
<p>Air pilot operated</p>	G1/2	1,05	P74F-4GC-PFN		<p>1,02</p>	P74F-4GA-NNN	<p>MB004B</p>	<p>M/P24121/1 70 ... 110 V a.c. Standard plug</p>
	G3/4	1,41	P74F-6GC-PFN					

For further information



www.norgren.com/info/nec/en6-050

OPTIONS SELECTOR

Series	Substitute	Connectors	Substitute
72	2	3 pin plug with cable gland, no indicator	A
74	4	Without	N

Port size	Substitute	Coil voltage	Nominal power rating	Substitute
1/4" [72]	2	24 V d.c.	2 W	F
3/8"	3	12 V d.c.	2 W	E
1/2" [74]	4	6 V d.c.	2 W	D
3/4" [74]	6	220/240 V	4/2,5 VA	B
		50/60 Hz		
		110/120 V	4/2,5 VA	A
		50/60 Hz		
		No coil		Z
		No solenoid		N

Threads	Substitute	Solenoid manual operator	Substitute
PTF	A	Shrouded push button	P
ISO Rc taper	B	None	N
ISO G parallel	G		

Operator	Substitute
Air pilot*	A
Air pilot with manual lockout slide* [74]	B
22 mm miniature solenoid	C
22 mm miniature solenoid with manual lockout slide [74]	D
CNOMO solenoid	L
CNOMO solenoid with manual lockout slide [74]	M

P7★F-★-★-★-★-★

ACCESSORIES

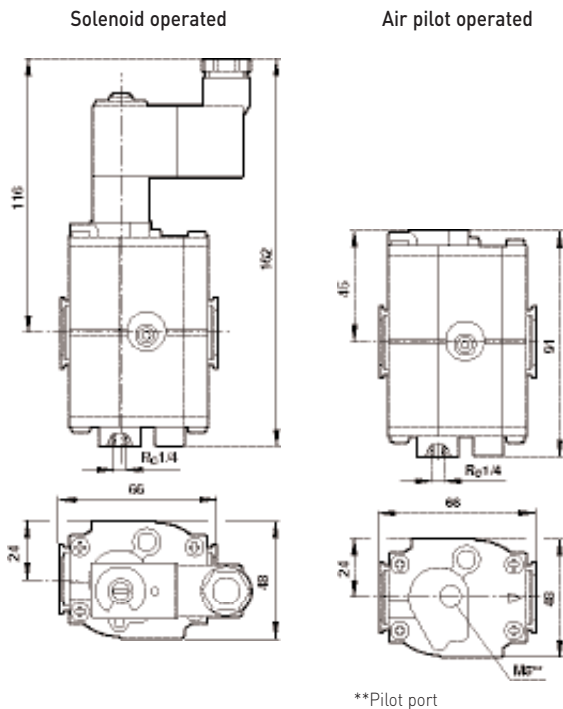
Series	Port size	3/2 Shut-off valve*	Quikclamp	Quikclamp and quikclamp wall bracket	Silencer (shut-off valve)
P72F	G1/4	T72T-2GA-P1N	4214-51	4214-52	T40M0500
	G3/8	T72T-3GA-P1N	4214-51	4214-52	T40M0500
P74F	G3/8	T74T-3GA-P1N	4314-51	4314-52	T40B1800
	G1/2	T74T-4GA-P1N	4314-51	4314-52	T40B1800
	G3/4	T74T-6GA-P1N	4314-51	4314-52	T40B1800

* To order air pilot models also substitute 'NNN' at digits 8, 9 and 10 e.g. P74F-4GA-NNN.

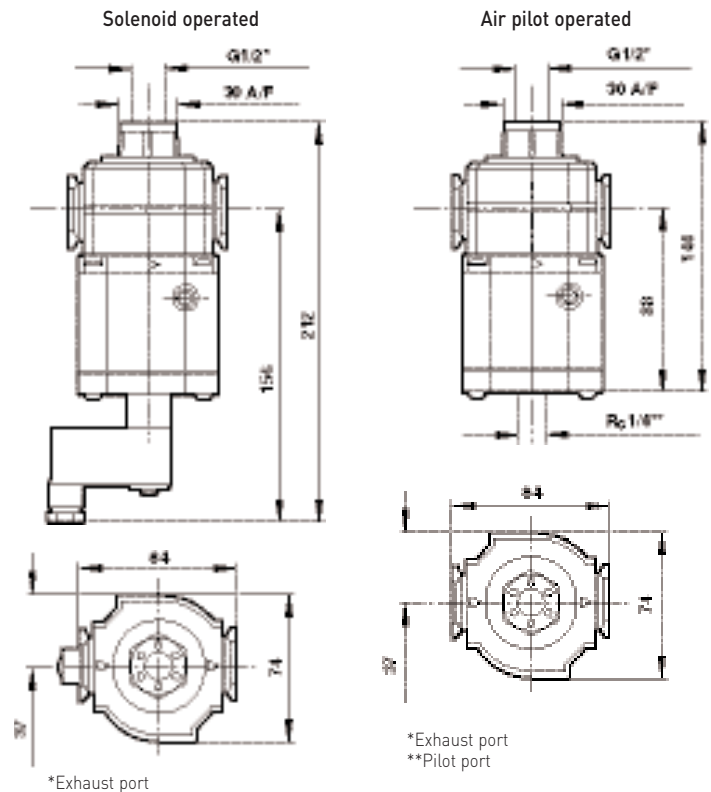
*Threaded exhaust port

DIMENSIONS

P72F



P74F



EXCELON[®] QUIKCLAMP SYSTEM

Soft Start Monitored Dump Valve

P74S - G1/4 ... G3/4

P74S



Complete air processing units
EXCELON inline / modular
installation

Controlled increase of
downstream pressure on start up

Monitored dump function

High forward flow capacity

High flow dump facility

Soft start valves allow a
controlled increase of pressure
onto downstream cylinders /
machines offering protection to
personnel equipment

The positively driven micro
switch ensures a monitored
dump function

Note: Turn on system air supply prior to
applying signal to operator. Failure to do
so may cause valve to continuously
exhaust

TECHNICAL DATA

Fluid:

Compressed air

Maximum pressure:

16 bar

Minimum operating pressure:

3 bar

Operating temperature:

-20°C ... 50°C

[Solenoid rating max is 50°C whilst unit max is
80°C. Consult our technical service below +2°C]

Gauge ports:

Rc1/8

Exhaust ports:

ISO G1/2 with ISO G and Rc main
ports, 1/2" PTF with PTF main
ports

Typical flow with 6,3 bar inlet
pressure and outlet pressure
drop of 0,5 var (7 psig)

57dm³/s (P1 ... P2 = Cv 4.2) (P2 ...
P3 Cv = 5.6)

Snap pressure:

Full flow when downstream
pressure reaches 35% - 60% of
inlet pressure

Charge time:

For 2 litre downstream volume
and inlet pressure of 6,3 bar, 0,2s
minimum, 75 secs. maximum

Solenoid operator:

22 mm, 24V DC, 2W only (no
manual override)

MATERIALS

Body: zinc alloy

Intermediate body: aluminium

Elastomers: synthetic materials

Filter discs: sintered plastic

Internal components: brass /
steel / stainless steel

Top plate: aluminium

Exhaust Bonnet: zinc alloy

OPTIONS SELECTOR

P74S-★★C-N1N

Port size	Substitute
1/4"	2
3/8"	3
1/2"	4
3/4"	6

Thread Type	Substitute
PTF	A
ISO Rc Parallel	B
ISO G Parallel	G
No Yoke (P64S only)	N

ACCESSORIES

	Wall mounting bracket	Silencer	Gauge
P74S	 4324-50	 MB008B (R1/2) MB004A	 18-013-012 (4 bar) 18-013-013 (10 bar) 18-013-014 (25 bar)

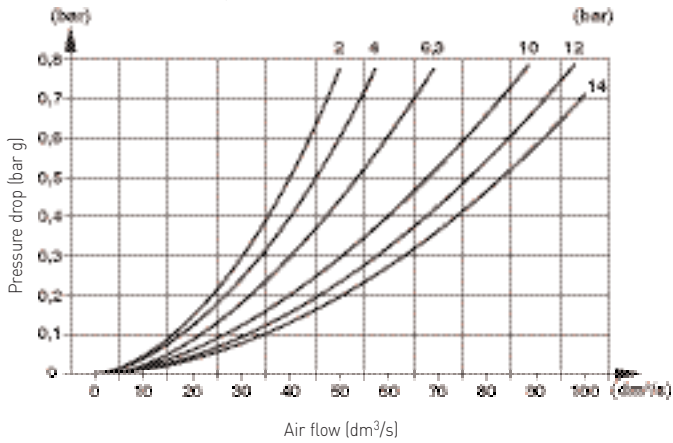
For further information



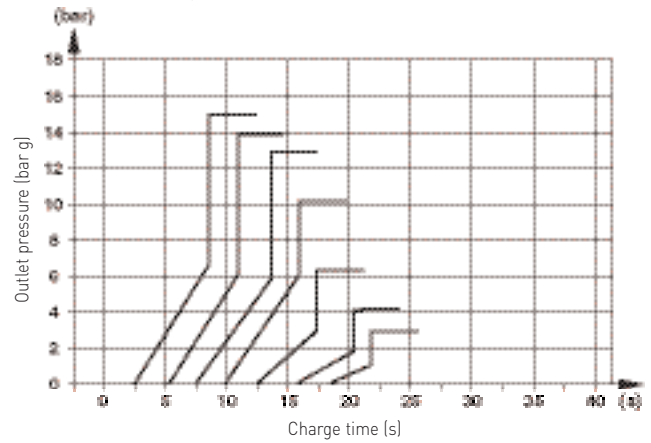
www.norgren.com/info/nec/en6-052

FLOW CHARACTERISTICS

Inlet pressure (bar g)

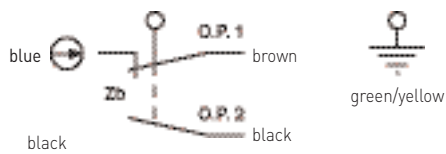


Maximum charge time



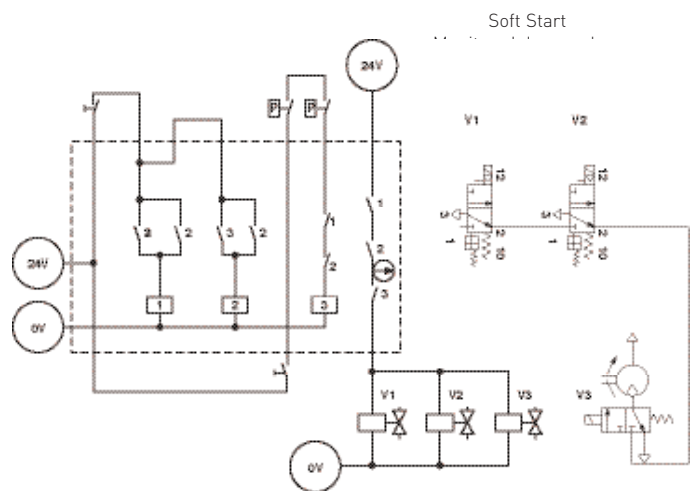
SWITCH DETAILS

All electrical connections to be made by a competent licensed electrician
Break - before - Make contact
1 Normally Open / 1 Normally Closed

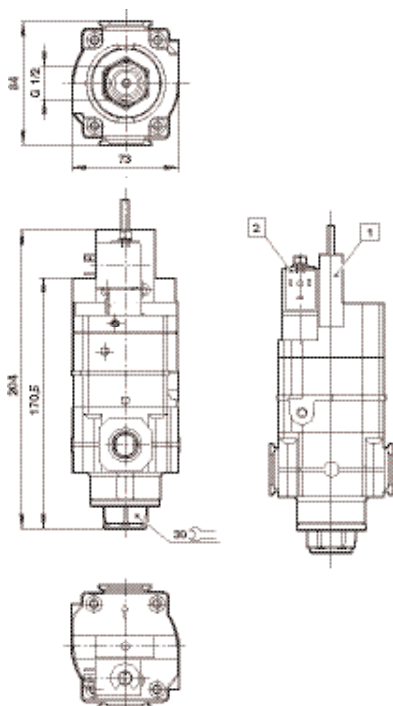


PILZ RELAY

To assist in compliance with the Machinery Directive 89/392/EEC a Pilz circuit should be used.
This requires 2 units.



DIMENSIONS

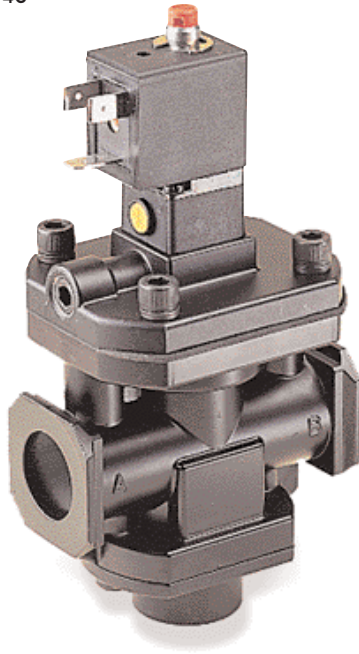


EXCELON[®] QUIKCLAMP SYSTEM

Solenoid operate control valves

P72C, P74C - G1/4 ... G3/4

P72C, P74C



3 port and 2 port, normally closed or normally open versions
 High flow, spring return
 Solenoid or air pilot operated

TECHNICAL DATA

Medium:

Compressed air

Maximum operating pressure:

10 bar (solenoid pilot operated)
 17 bar (air pilot operated)

Minimum operating pressure:

3 bar

Ambient temperature:

-20°C ... + 65°C P72C

-20°C ... + 80°C P74C

Consult our Technical Service for use below +2°C
 Solenoid rating max is 50°C whilst unit max may be higher

Air pilot port:

P72C M5

P74C Rc1/4

Exhaust port:

P72C Rc1/4

P74C G1/2

MATERIALS

P72C:

Body: zinc alloy

Elastomers: synthetic materials

Filter discs: sintered plastic

Internal components: brass/steel

P74C:

Body & intermediate body:
 aluminium

Elastomers: synthetic materials

Filter discs: sintered plastic

Internal components: brass/steel

Top plate & exhaust bonnet: zinc

	Port size	Fuction	Type	MODELS	SERVICE KIT
<p>Solenoid pilot operated</p>	G1/4	3/2 NC	Solenoid	P72C-26C-PFN	4384-520
	G1/4	3/2 NC	Pilot	P72C-26A-NNN	4384-520
	G3/8	3/2 NC	Solenoid	P72C-36C-PFN	4384-520
	G3/8	3/2 NC	Pilot	P72C-36A-NNN	4384-520
<p>Air pilot operated</p>	*	2/2 NC	Solenoid	P74A-NGC-PFN	53474-37
	*	2/2 NO	Solenoid	P74B-NGC-PFN	53474-37
	*	3/2 NC	Solenoid	P74C-NGC-PFN	53474-37
	*	3/2 NC	Solenoid with lockout	P74C-NGD-PFN	53474-37
	*	2/2 NC	Pilot	P74A-NGA-NNN	53474-37
	*	2/2 NO	Pilot	P74B-NGA-NNN	53474-37
	*	3/2 NC	Pilot	P74C-NGA-NNN	53474-37
	*	3/2 NC	Pilot	P74C-NGA-NNN	53474-37

*Ports are unthreaded. Quikclamps (this page) and Quikmount pipe adaptors are required.
 Solenoid models are fitted with 24 V d.c., 2 W coils - no connector plugs

For further information



www.norgren.com/info/nec/en6-054

OPTIONS SELECTOR

Series	Substitute	Connectors	Substitute
72	2	3 pin plug with cable gland, no indicator	A
74	4	Without	N

Port size	Substitute	Coil voltage	Nominal power rating	Substitute
1/4" [72]	2	24 V d.c.	2 W	F
3/8"	3	12 V d.c.	2 W	E
1/2" [74]	4	6 V d.c.	2 W	D
3/4" [74]	6	220/240 V	4/2,5 VA	B
		50/60 Hz		
		110/120 V	4/2,5 VA	A
		50/60 Hz		
		No coil		Z
		No solenoid		N

Threads	Substitute	Solenoid manual operator	Substitute
PTF	A	Shrouded push button	P
ISO Rc taper	B	None	N
ISO G parallel	G		

Operator	Substitute
Air pilot**	A
22 mm miniature solenoid	C
CNOMO	L

P7★C-★-★-★-★-★

ACCESSORIES

Series	Port size	3/2 Shut-off valve*	Quickclamp	Quickclamp and quickclamp wall bracket	Silencer (shut-off valve)
P72C	G1/4	T72T-2GA-P1N	4214-51	4214-52	T40M0500
	G3/8	T72T-3GA-P1N	4214-51	4214-52	T40M0500
P74C	G3/8	T74T-3GA-P1N	4314-51	4314-52	T40B1800
	G1/2	T74T-4GA-P1N	4314-51	4314-52	T40B1800
	G3/4	T74T-6GA-P1N	4314-51	4314-52	T40B1800

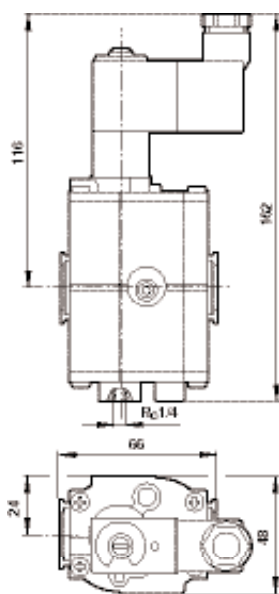
** To order air pilot models also substitute 'NNN' at digits 8, 9 and 10 e.g. P72C-2GA-NNN

*Threaded exhaust port

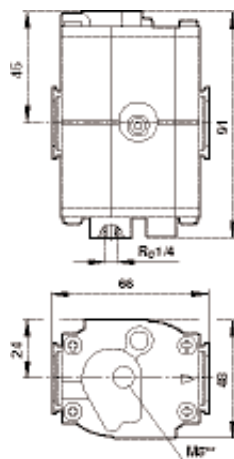
DIMENSIONS

P72C

Solenoid operated



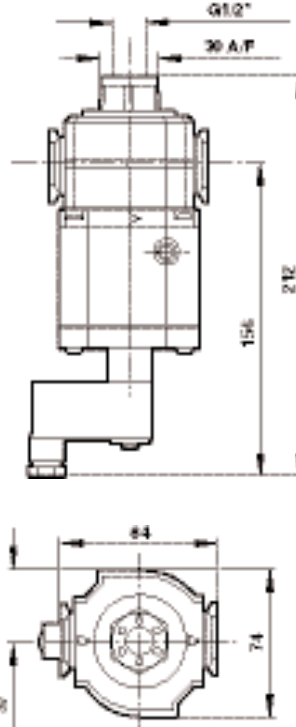
Air pilot operated



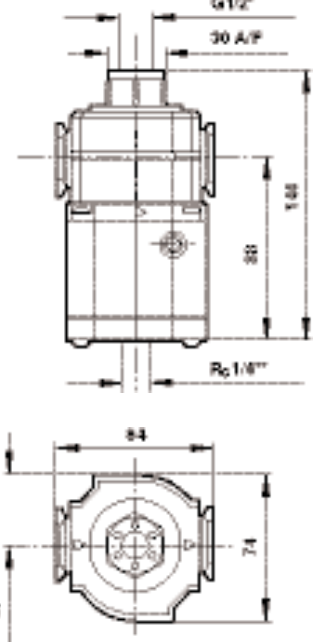
**Pilot port

P74C

Solenoid operated



Air pilot operated



*Exhaust port
**Pilot port

EXCELON[®] QUIKCLAMP SYSTEM

Membrane driers

W72M, W74M - G1/4, G1/2



Removes water vapour from compressed air
Provides dewpoint suppression up to 44°C below the ambient temperature, depending on air flow through the membrane

Dewpoint suppression of 11°C below the ambient temperature is suitable for most industrial applications

W72 and W74 utilize the Excelon[®] Quikclamp[™] design to provide in-line or modular installation with 72, 73 and 74 Series products

Easy installation, no power required

Maintenance free with proper pre-filtration

Minimal pressure drop

TECHNICAL DATA

Medium:

Compressed air, pre-filtered to 0,01 µm and oil free

Maximum operating pressure:
10 bar

Ambient temperature:
-20°C ... 80°C*

*Air supply must be dry enough to avoid ice formation at temperatures below +2°C

MATERIALS

Body and end caps: Anodized aluminium

Membrane: polymeric materials

	Port size	Nominal flow (dm ³ /s)*		Differential pressure (bar)	kg	MODELS
		Outlet	Inlet			
	G1/4	2,40	2,65	0,023	0,82	W72M-2GN-NNB
	G1/4	4,75	5,27	0,062	0,84	W72M-2GN-NNC
	G1/2	14,20	15,76	0,093	1,79	W74M-4GN-NNE

*7 bar inlet pressure, 38°C ambient temperature and dew point suppression of 11°C

OPTIONS SELECTOR

W★★M-★★N-NN★

Series	Substitute	Flow (dm ³ /s)	Substitute
72	72	1,00	A
74	74	2,40	B
		4,75	C
		9,50	D
		14,20	E

Port size	Substitute	Threads	Substitute
1/4	2	PTF	A
1/2	4	ISO G parallel	G

DIMENSIONS



	A	B
W72M-2GN-NNB	457	44
W72M-2GN-NNC	483	44
W74M-4GN-NND	533	63
W74M-4GN-NNE	660	63

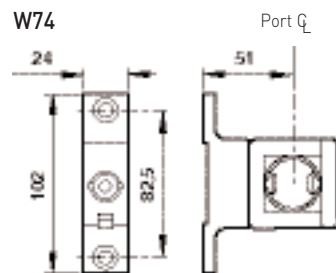
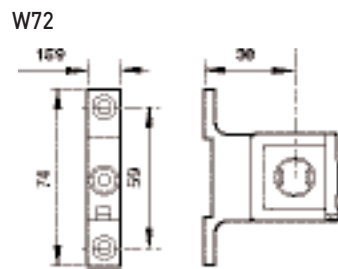
For further information



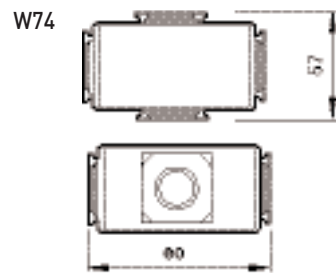
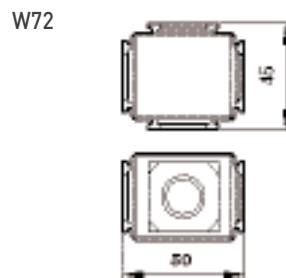
www.norgren.com/info/nec/en6-056

DIMENSIONS

Quikclamp and Quikclamp wall bracket

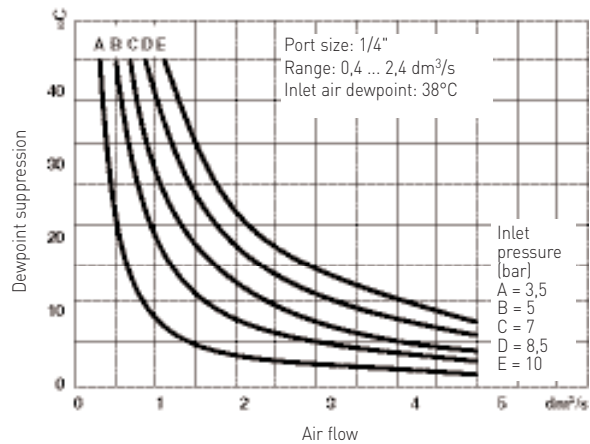


Manifold blocks

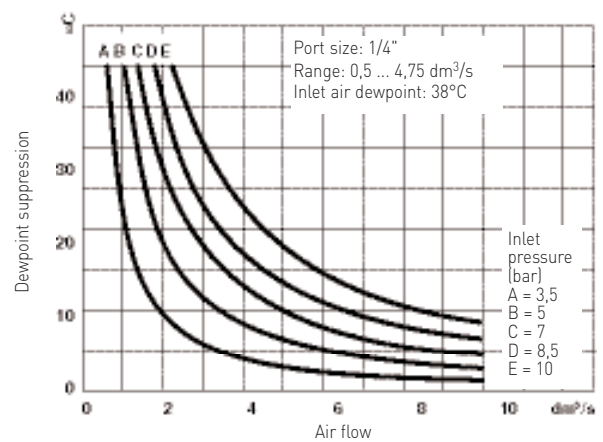


FLOW CHARACTERISTICS

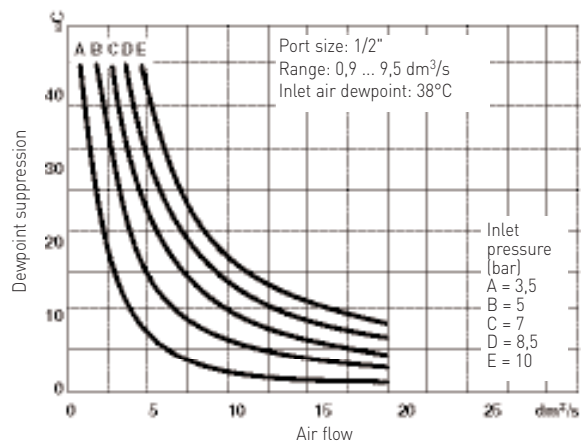
W72M-2GN-NNB



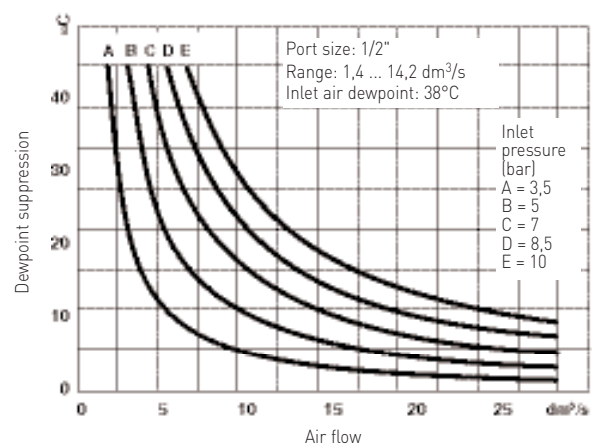
W72M-2GN-NNC

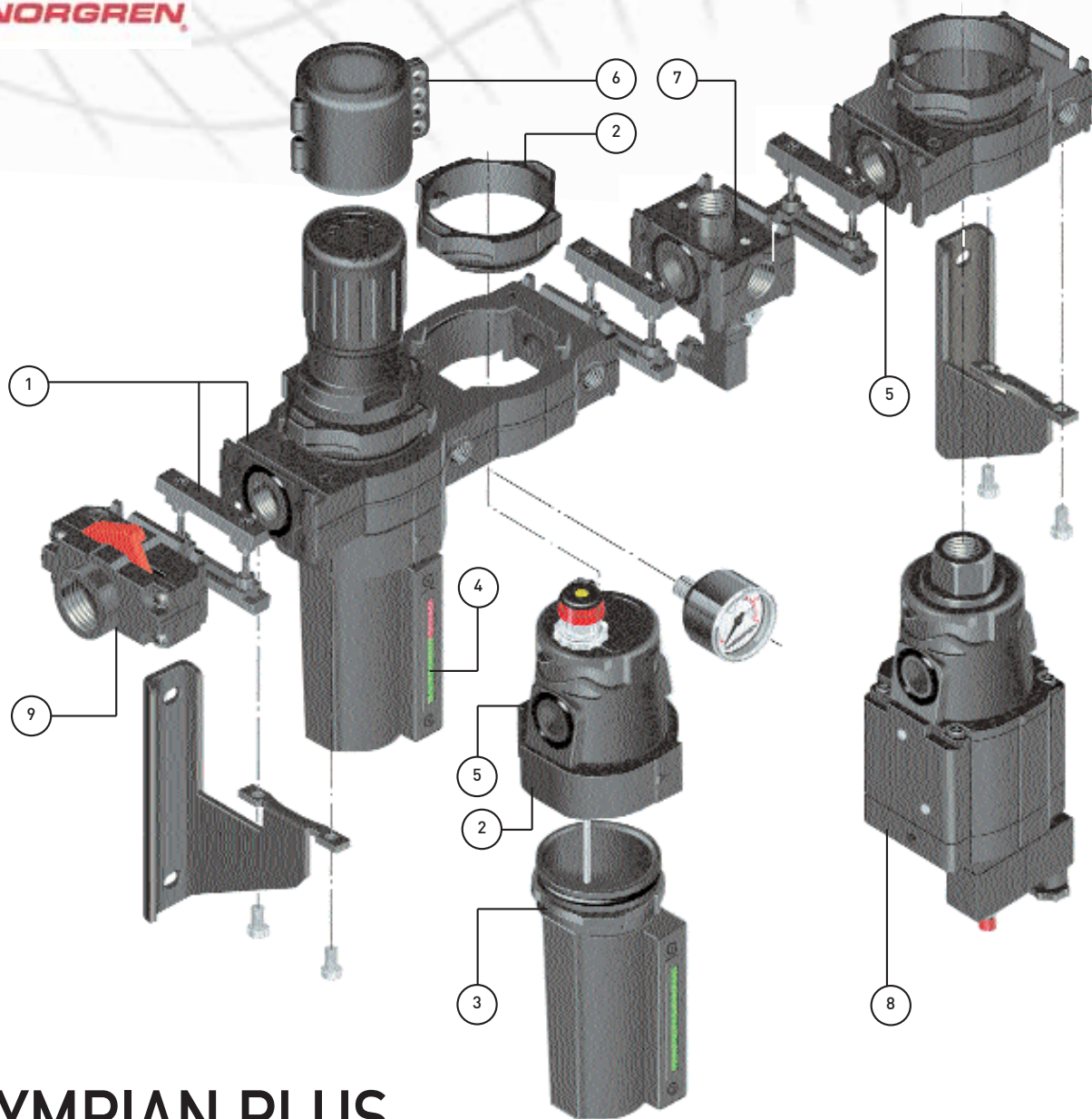


W74M-4GN-NND



W74M-4GN-NNE





OLYMPIAN PLUS

Olympian Plus – the popular FRL system from Norgren, world leaders in air line equipment.

The unique Olympian plug-in design has been updated to set new standards for ease of use and system flexibility.

- 1 QUICK CONNECT YOKE SYSTEM**
 Simple, speedy assembly of accessories and combination units
- 2 PLUG IN UNITS**
 Rapid installation and maintenance. Quarter turn clamp ring graphite impregnated for easy operation. Detent action prevents removal under pressure.
- 3 BAYONET BOWLS**
 Easy removal for routine maintenance. Detent action prevents removal under pressure.
- 4 UNIQUE PRISMATIC SIGHT GLASS**
 High visibility of liquid level. Colour change service indication on filters and filter regulators.
- 5 CAPTIVE 'O' RINGS**
 Easy to assemble with no loose parts.
- 6 TAMPER RESISTANT COVER**
 Simple accessory to prevent unauthorised adjustment of regulated pressure
- 7 PORTING BLOCK MOUNTED PRESSURE SWITCH**
 Adjustable pressure switch for feedback to monitoring systems
- 8 SOFT START/DUMP VALVE**
 Provides controlled increase in pressure on system start-up. High exhaust flow capacity.
- 9 3/2 SHUT OFF VALVE**
 Slide valve with lockable blade. Threaded exhaust port.

OLYMPIAN PLUS PLUG-IN SYSTEM

Boxed sets and combination units - Filter/regulators and lubricators

BL64, BL68, FL64 - G1/4, G1/2



BL64



BL68

Complete air processing units pre-assembled, ready to install

Boxed sets include:
filter/regulator and micro-fog lubricator complete with exhausting shut-off valve, pressure gauge and mounting brackets

Filter-regulator and micro-fog lubricator combinations

Filter and micro-fog lubricator combinations

TECHNICAL DATA

Medium:

Compressed air only

Maximum inlet pressure:

17 bar

Ambient temperature:

-20°C ... +80°C

Consult our Technical Service for use below +2°C

Pressure range:

BL64: 0,3...10 bar

BL68: 0,4...8 bar

Gauge ports:

Rc 1/8

Element:

40 µm

Operation:

Relieving

ALTERNATIVE MODELS

Manual drains and oil-fog lubricators also available.

Contact our Technical Service. For combinations not listed quote individual part numbers for basic units and yokes, see Olympian Accessories.

MATERIALS

BL64 & FL64

Body and yoke: zinc alloy

Bowl: aluminium

Element: sintered plastic

Elastomers: synthetic rubber

BL68 & FL68

Body & bowl: aluminium

Filter element: sintered bronze or plastic

Elastomers: synthetic rubber

BOXED SETS

Port size	kg	MODELS		ACCESSORIES			
		Auto drain	Manual drain	Tamper resistant kit	Quick fill nipple	Silencer (shut-off valve)	
	4,15		BL64-401	BL64-421	 4355-51	 18-011-024	 T40B1800
			G1/2				
	5,99		BL68-801	BL68-821	 4355-51	 18-011-021	 T40B2800
			G1				

For service kit numbers refer to individual units.

For further information








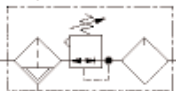
www.norgren.com/info/nec/en6-059

OLYMPIAN PLUS PLUG-IN SYSTEM







Boxed sets and combination units - Filter/regulators and lubricators

BL64, BL68, FL64 - G1/4, G1/2

FILTER/REGULATOR & LUBRICATOR COMBINATIONS - (without shut off valve, gauge and bracket)

		MODELS				ACCESSORIES		
Port size	kg	Auto drain	Manual drain		Tamper resistant kit	Quick fill nipple	Silencer (shut-off valve)	
						  		
	G1/4	3,19	BL64-208	BL64-228	4355-51	18-011-024	T40B1800	
	G3/8	3,19	BL64-308	BL64-328	4355-51	18-011-024	T40B1800	
	G1/2	2,73	BL64-408	BL64-428	4355-51	18-011-024	T40B1800	
	G3/4	3,56	BL64-608	BL64-628	4355-51	18-011-024	T40B1800	
	G3/4	4,94	BL68-608	BL68-628	4355-51	18-011-021	T40B2800	
	G1	5,26	BL68-808	BL68-828	4355-51	18-011-021	T40B2800	
	G1 1/4	6,50	BL68-A08	BL68-A28	4355-51	18-011-021	T40B2800	
	G1 1/2	6,05	BL68-B08	BL68-B28	4355-51	18-011-021	T40B2800	

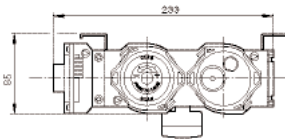
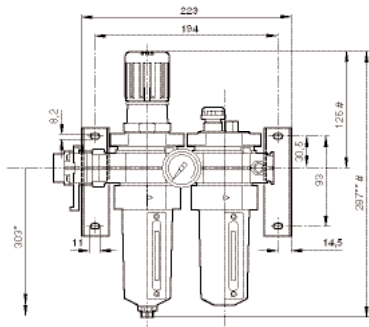
FILTER & LUBRICATOR COMBINATIONS - (without bracket)

		MODELS				ACCESSORIES		
Port size	kg	Auto drain	Manual drain		Tamper resistant kit	Quick fill nipple	Silencer (shut-off valve)	
						  		
	G1/4	2,50	FL64-208	FL64-228	4355-51	18-011-024	T40B1800	
	G3/8	2,52	FL64-308	FL64-328	4355-51	18-011-024	T40B1800	
	G1/2	2,43	FL64-408	FL64-428	4355-51	18-011-024	T40B1800	
	G3/4	2,91	FL64-608	FL64-628	4355-51	18-011-024	T40B1800	
	G3/4	3,90	FL68-608	FL68-628	4355-51	18-011-021	T40B2800	
	G1	3,90	FL68-808	FL68-828	4355-51	18-011-021	T40B2800	
	G1 1/4	4,05	FL68-A08	FL68-A28	4355-51	18-011-021	T40B2800	
	G1 1/2	4,05	FL68-B08	FL68-B28	4355-51	18-011-021	T40B2800	

DIMENSIONS

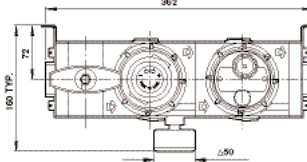
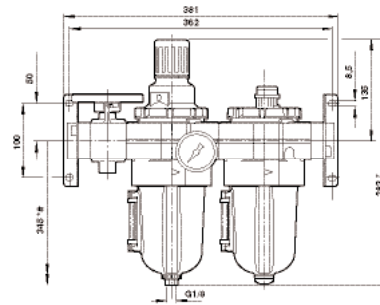
Boxed sets

BL64-401



* Minimum clearance required to remove bowl
 ** Automatic
 # Reduces by 4 mm with knob in locked position
 Weight: 3,58 kgm

BL68-801

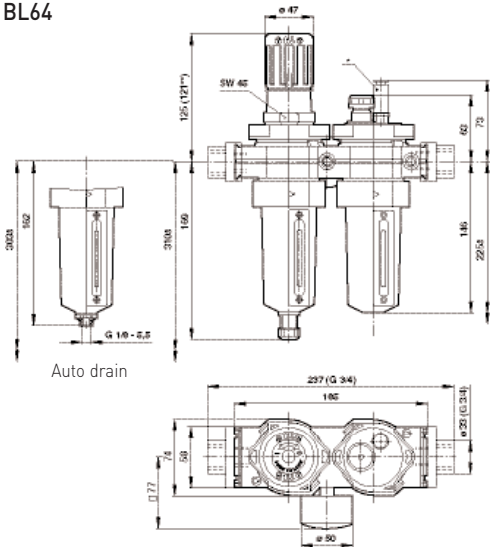


* Minimum clearance required to remove bowl
 # Reduces by 4 mm with knob in locked position
 Weight: 6,69 kg

See also our Olympian Plus duplex system specifically designed for use in process plant and on main machinery installations and other equipment in continuous use where not even the shortest interruption of services is permissible.

Filter/regulator & lubricator combinations

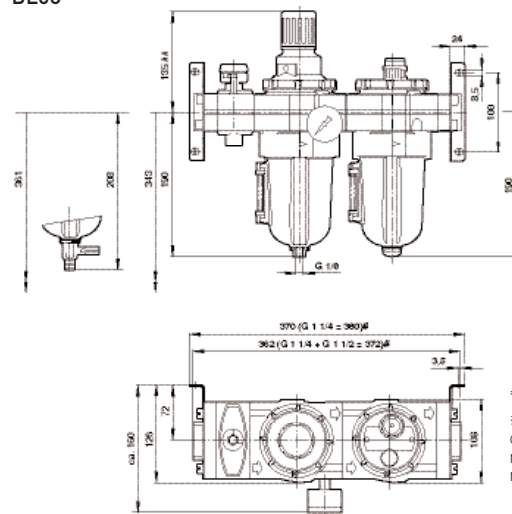
BL64



Auto drain

* Optional quick fill connector
 ** Knob in locked position
 # Minimum clearance required to remove bowl.

BL68



* Manual drain
 # Minimum clearance required to remove bowl.

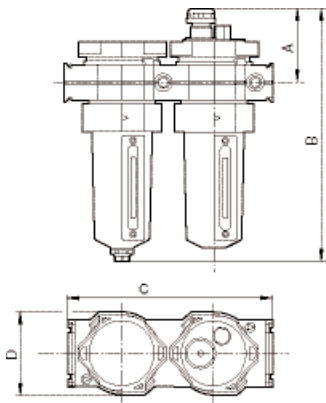
OLYMPIAN PLUS PLUG-IN SYSTEM

Boxed sets and combination units - Filter/regulators and lubricators

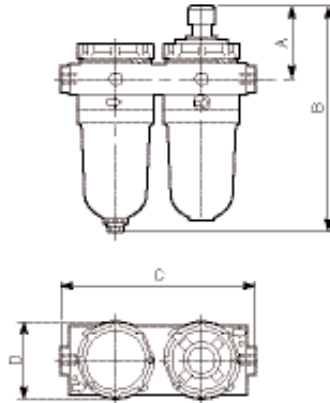
BL64, BL68, FL64 - G1/4, G1/2

Filter/lubricator combinations

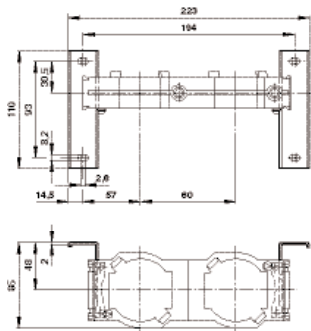
FL64



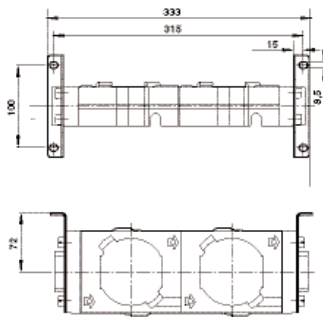
FL68



BL64 & FL64 Bracket mounting



BL68 & FL68 Bracket mounting



Series	Port size	A	B	C	D	kg
FL64	G1/4, G3/8, G1/2	63	227	233	74	2,99
	G3/4	63	227	262	74	2,99
FL68	G3/4, G1	75	263	315	112	4,6
	G1 1/4, G1 1/2	75	263	325	112	4,6

OLYMPIAN PLUS PLUG-IN SYSTEM

General purpose filters

F64G, F68G - G1/4 ... G1 1/2



F64G

F68G

Effective liquid removal and positive solid filtration
 Large filter element area for minimum pressure drop
 Standard options include element service indicator, manual drains and alternative filter elements

TECHNICAL DATA

Medium:
 Compressed air only
Maximum inlet pressure:
 17 bar
Ambient temperature:
 -20°C ... +80°C
 Consult our Technical Service for use below +2°C

MATERIALS

F64G
 Body: zinc alloy
 Bowl: aluminium
 Yoke: aluminium
 Filter element: sintered plastic
 Elastomers: synthetic rubber

F68G
 Body & bowl: aluminium
 Yoke: aluminium
 Filter element: sintered bronze or plastic
 Elastomers: synthetic rubber

F64G

Port size	kg	Flow* (dm ³ /s)	MODELS		ACCESSORIES			SERVICE KIT		
			Auto drain	Manual drain	Wall mounting bracket	3/2 Shut-off valve**	Silencer (shut-off valve)	Auto drain	Manual drain	
	G1/4	1,42	33	F64G-2GN-AD3	F64G-2GN-MD3	74504-50	T64T-2GB-P1N	T40B1800	F64G-KITA40	F64G-KITM40
	G3/8	1,42	66	F64G-3GN-AD3	F64G-3GN-MD3	74504-50	T64T-3GB-P1N	T40B1800	F64G-KITA40	F64G-KITM40
	G1/2	1,32	75	F64G-4GN-AD3	F64G-4GN-MD3	74504-50	T64T-4GB-P1N	T40B1800	F64G-KITA40	F64G-KITM40
	G3/4	1,72	75	F64G-6GN-AD3	F64G-6GN-MD3	74504-50	T64T-6GB-P1N	T40B1800	F64G-KITA40	F64G-KITM40

* Typical flow with 6.3 bar inlet pressure and 0.5 bar pressure drop

**Threaded exhaust port. For replacement filter (without yoke) substitute 'N' at the 5th and 6th digits eg: F64G-NNN-AD3 (F64).

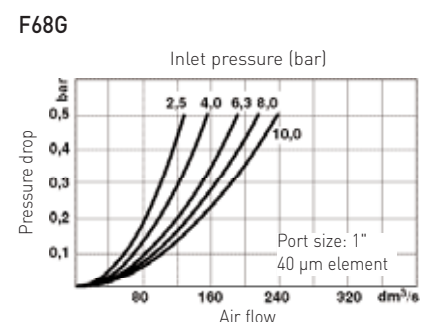
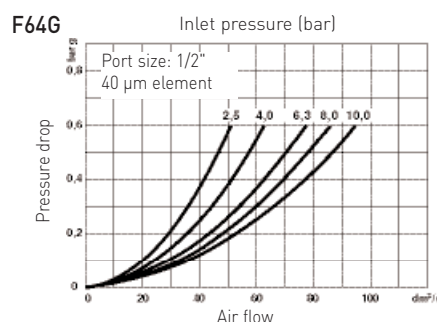
F68G

Port size	kg	Flow* (dm ³ /s)	MODELS		ACCESSORIES			SERVICE KIT		
			Auto drain	Manual drain	Wall mounting bracket	3/2 Shut-off valve**	Silencer (shut-off valve)	Auto drain	Manual drain	
	G3/4	2,45	160	F68G-6GN-AR3	F68G-6GN-MR3	18-001-979	T68H-6GB-B2N	T40B2800	F68G-KITA40	F68G-KITM40
	G1	2,33	190	F68G-8GN-AR3	F68G-8GN-MR3	18-001-979	T68H-8GB-B2N	T40B2800	F68G-KITA40	F68G-KITM40
	G1 1/4	2,43	200	F68G-AGN-AR3	F68G-AGN-MR3	18-001-978	T68H-AGB-B2N	T40B2800	F68G-KITA40	F68G-KITM40
	G1 1/2	2,30	200	F68G-BGN-AR3	F68G-BGN-MR3		T68H-BGB-B2N	T40B2800	F68G-KITA40	F68G-KITM40

* Typical flow with 6.3 bar inlet pressure and 0.5 bar pressure drop

**Threaded exhaust port. For replacement filter (without yoke) substitute 'N' at the 5th and 6th digits eg: F68G-NNN-AR3 (F68).

FLOW CHARACTERISTICS



For further information



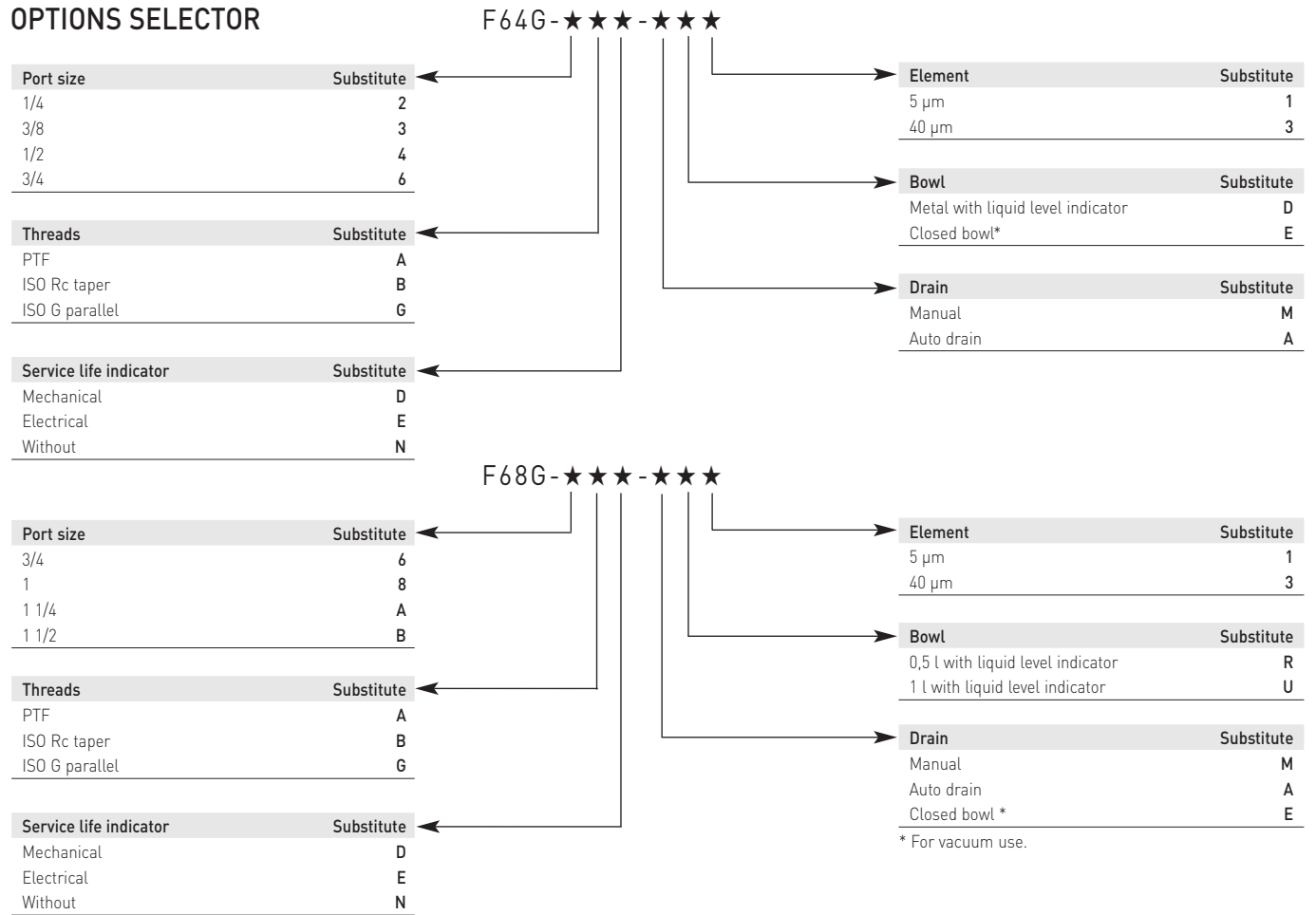
www.norgren.com/info/nec/en6-063

OLYMPIAN PLUS PLUG-IN SYSTEM

General purpose filters

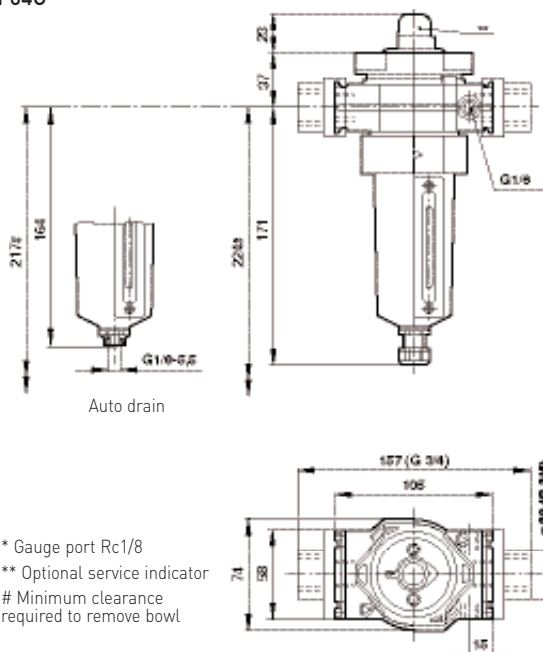
F64G, F68G - G1/4 ... G1 1/2

OPTIONS SELECTOR



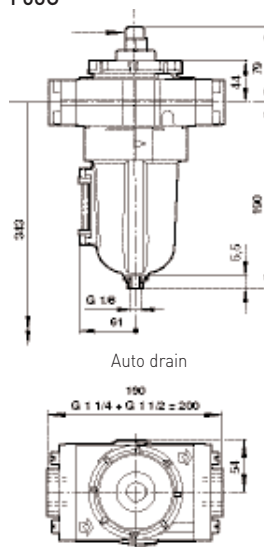
DIMENSIONS

F64G



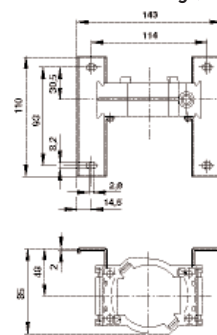
* Gauge port Rc1/8
 ** Optional service indicator
 # Minimum clearance required to remove bowl

F68G

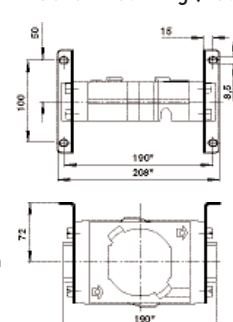


Minimum clearance required to remove bowl
 ** Optional service indicator
 * Manual drain
 *** For 1 1/4" and 1 1/2" ported yokes add 10 mm

Bracket mounting (F64G)



Bracket mounting (F68G)



*Add 10 mm for 1 1/4 and 1 1/2" models

OLYMPIAN PLUS PLUG-IN SYSTEM

High efficiency oil removal filters

F64C/H, F68C/H - G1/4 ... G1



F64H

F68C

High efficiency coalescing filters

Coalescing element removes sub-micron particles and converts oil and water mist to liquid form to drain away

Service indicator standard

TECHNICAL DATA

Medium:

Compressed air only

Maximum inlet pressure:

17 bar

Remaining oil content:

0.01 mg/m³ max at 21° C

Particle removal:

To 0.01 µm

Ambient temperature:

-20° C ... +65° C

Consult our Technical Service for use below +2° C

MATERIALS

F64C/F64H

Body: zinc alloy

Bowl: aluminium

Yoke: aluminium

Element: composite

Elastomers: synthetic rubber

F68C/F68H

Body & bowl: aluminium

Yoke: aluminium

Filter element: composite

Elastomers: synthetic rubber

F64C/H

				MODELS		ACCESSORIES			SERVICE KIT
Port size	kg	Flow* (dm ³ /s)		Auto drain	Manual drain	Wall mounting bracket	3/2 Shut-off valve**	Silencer (shut-off valve)	Auto drain
	G1/4	1,48	16						
	G3/8	1,70	28						
	G1/2	1,67	28						
	G3/4	2,01	28						

* To maintain stated oil content at 6.3 inlet pressure **Threaded exhaust port. For replacement filter (without yoke or pre-filter) substitute 'N' at the 5th and 6th digits eg: F64H-NND-AD0.

F68C/H

				MODELS		ACCESSORIES			SERVICE KIT
Port size	kg	Flow* (dm ³ /s)		Auto drain	Manual drain	Wall mounting bracket	3/2 Shut-off valve**	Silencer (shut-off valve)	Auto drain
	G1/2	2,38	35						
	G3/4	2,72	35						
	G1	2,66	60						

* To maintain stated oil content at 6.3 inlet pressure **Threaded exhaust port. For replacement filter (without yoke) substitute 'N' at the 5th and 6th digits eg: F68H-NND-AU0.

TYPICAL PERFORMANCE CHARACTERISTICS

Inlet pressure (bar)	Maximum flow dm ³ /s*			
	F64C	F64H	F68C	F68H
1	6,4	11,2	14	24
3	11,0	19,3	24	41
5	14,3	24,9	31	53
6,3	16,0	28,0	35	60
7	16,9	29,5	36	63
9	19,1	33,5	42	72

* Maximum flow to maintain stated oil removal performance

For further information



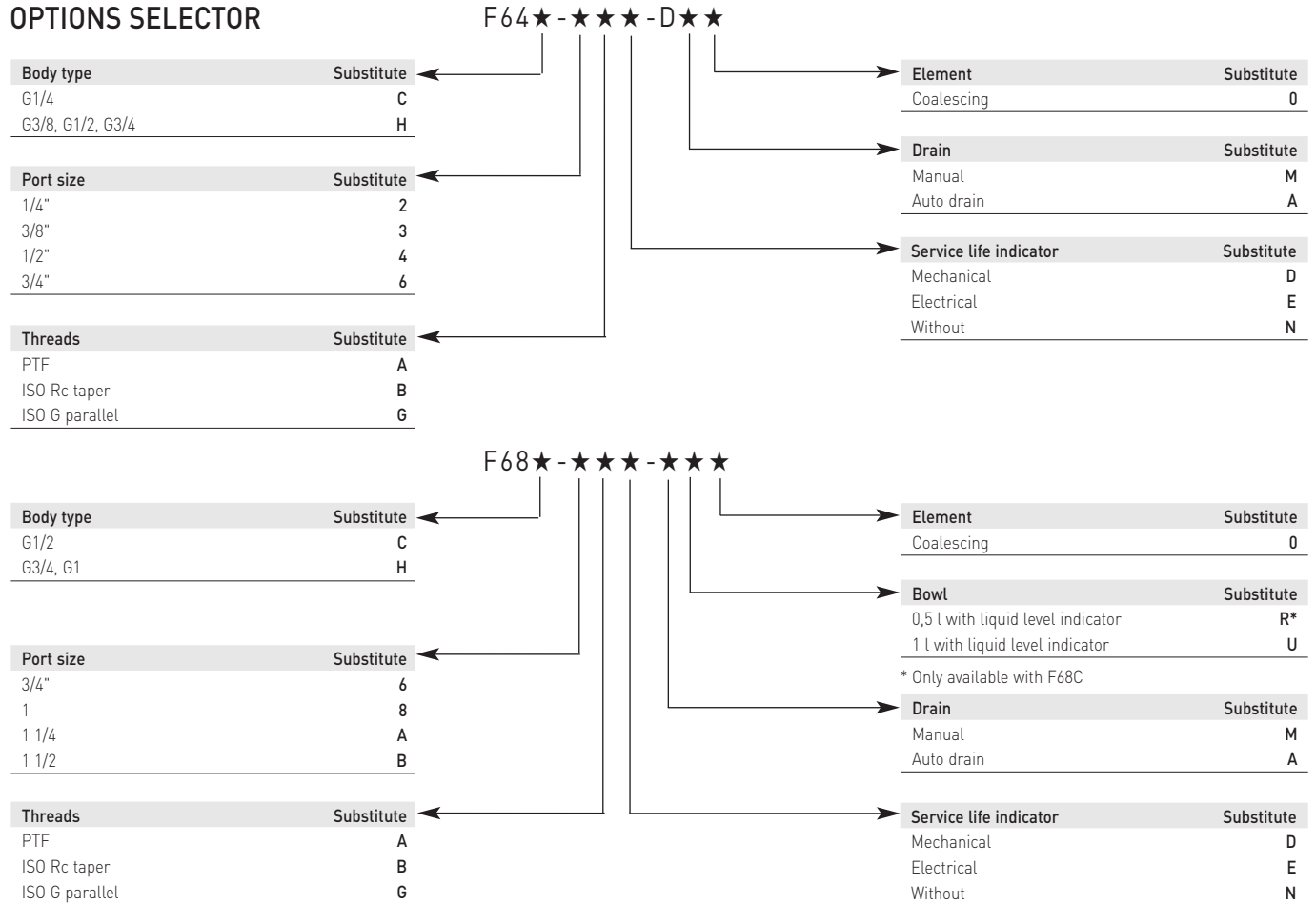
www.norgren.com/info/nec/en6-065

OLYMPIAN PLUS PLUG-IN SYSTEM

High efficiency oil removal filters

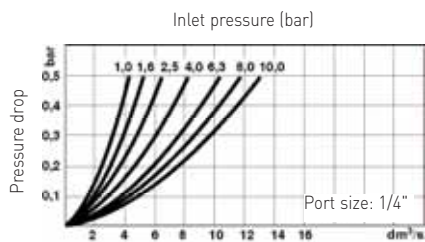
F64C/H, F68C/H - G1/4 ... G1

OPTIONS SELECTOR

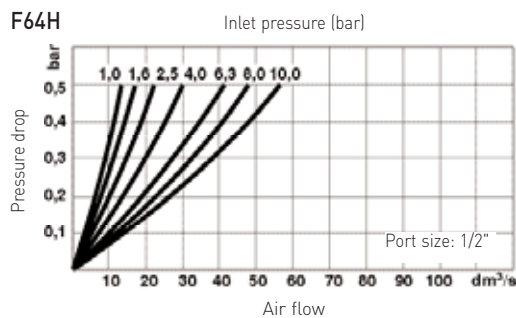


FLOW CHARACTERISTICS

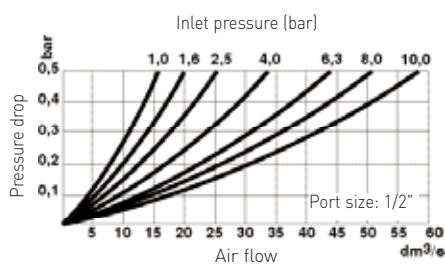
F64C



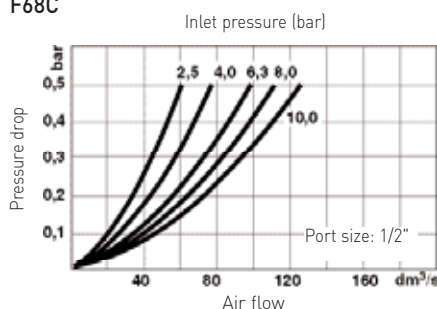
F64H



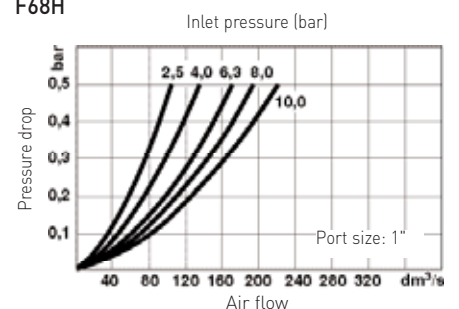
F64C



F68C

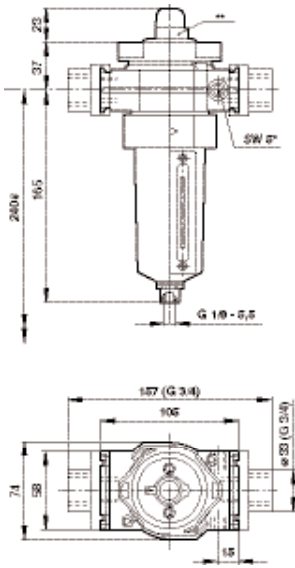


F68H

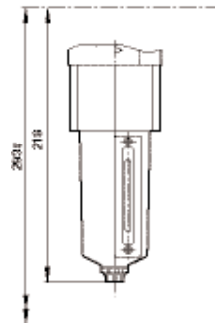


DIMENSIONS

F64H

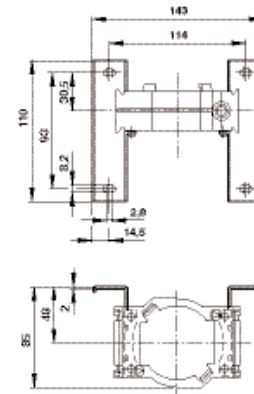


F64C

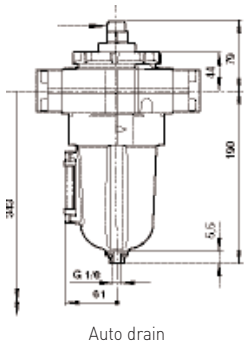


- * Gauge port Rc1/8
- ** Optional service indicator
- # Minimum clearance required to remove bowl

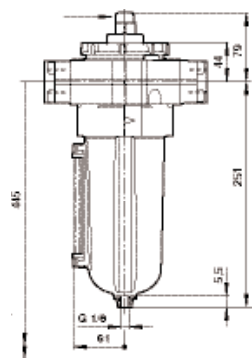
Bracket mounting (F64C/H)



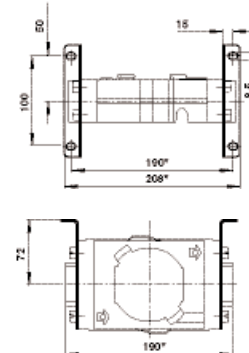
F68C



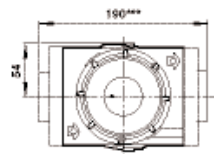
F68H



Bracket mounting (F68C/H)



- # Minimum clearance required to remove bowl
- ** Standard service indicator
- *** For 1 1/4" and 1 1/2" ported yokes add 10 mm



OLYMPIAN PLUS PLUG-IN SYSTEM

High efficiency oil/oil vapour removal filters

F64B/L, FFV68 - G1/4 ... G1



F64B/L

FFV68

F64B/F64L are 'dual function' products incorporating an oil removal element (bottom) and an oil vapour removal element (top)

FFV68 are two separate coupled filters (F68C/H and F68V/Y)

Ultra high efficiency coalescing filters with active carbon pack

Carbon pack assists in the removal of hydro-carbon gases and odours

High intensity blue colour change indicates the presence of oil

Standard options include manual drains

TECHNICAL DATA

Medium:

Compressed air only

Maximum inlet pressure:

17 bar

Note: These units will not remove carbon monoxide, carbon dioxide or other toxic gases or fumes

Remaining oil content:

0.003 mg/m³ (at 21° C)

Particle removal:

To 0.01 µm

Ambient temperature:

-20°C ... +65°C

Consult our Technical Service for use below +2°C

MATERIALS

F64B/F64L

Bowl & body: zinc

Yoke: zinc alloy

Elastomers: synthetic rubber

Main filter element & activated carbon pack: composite materials

FFV68

Bowl & body: aluminium alloy

Yoke: aluminium alloy

Elastomers: synthetic rubber

Main filter element & activated carbon pack: composite materials

F64B/L

MODELS					ACCESSORIES					SERVICE KIT											
Port size	kg	Flow* (dm ³ /s)	Auto drain	Manual drain	Wall mounting valve	3/2 Shut-off valve**	Silencer (shut-off valve)	Coalescing element	Carbon pack	Auto drain											
											G1/4	1,83	7	F64B-2GN-AR0	F64B-2GN-MR0	74504-50	T64T-2GB-P1N	T40B1800	5350-99	5568-01	F64B-KITA0V
											G3/8	2,21	11	F64L-3GN-AR0	F64L-3GN-MR0	74504-50	T64T-3GB-P1N	T40B1800	5350-98	5568-01	F64L-KITA0V
											G1/2	2,50	11	F64L-4GN-AR0	F64L-4GN-MR0	74504-50	T64T-4GB-P1N	T40B1800	5350-98	5568-01	F64L-KITA0V
G3/4	2,88	11	F64L-6GN-AR0	F64L-6GN-MR0	74504-50	T64T-6GB-P1N	T40B1800	5350-98	5568-01	F64L-KITA0V											

* To maintain stated oil at 6.3 bar inlet pressure

**Threaded exhaust port. To order a basic unit without yoke substitute 'N' at the 5th and 6th digits eg: F64L-NNN-AR0.

FFV68

MODELS					ACCESSORIES					SERVICE KIT										
Port size	Flow* (dm ³ /s)	Auto drain	Manual drain	Manual drain	Wall mounting bracket	3/2 Shut-off valve**	Silencer (shut-off valve)	Coalescing element	Carbon pack	Auto drain										
											G1/2	25	FFV68-408	FFV68-428	18-001-979	T68H-4GB-B2N	T40B2800	5351-98	665-72	F68C-KITA0C, F68V-KIT00V
											G3/4	35	FFV68-608	FFV68-628	18-001-979	T68H-6GB-B2N	T40B2800	5351-99	665-70	F68H-KITA0C, F68Y-KIT00Y
											G1	60	FFV68-808	FFV68-828	18-001-979	T68H-8GB-B2N	T40B2800	5351-99	665-70	F68H-KITA0C, F68Y-KIT00Y

* To maintain stated oil at 6.3 bar inlet pressure.

**Threaded exhaust port. To order a basic unit without yoke substitute 'N' at the 5th and 6th digits eg: F68L-NNN-AR0.

For further information



www.norgren.com/info/nec/en6-068

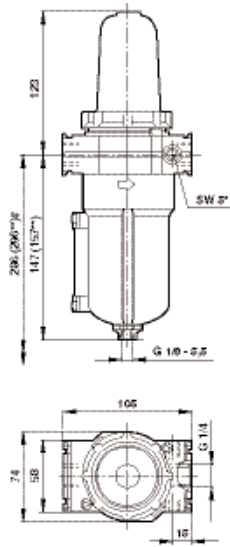
TYPICAL PERFORMANCE CHARACTERISTICS

Inlet pressure (bar)	Maximum flow dm ³ /s*			
	F64B	F64L	FFV68-408	FFV68-608
1	2,8	4,4	10	24
3	4,8	7,6	17	41
5	6,2	9,8	20	53
6,3	7,0	11,0	25	60
7	7,3	11,5	26	63
9	8,4	13,2	30	72

* Maximum flow to maintain stated oil removal performance

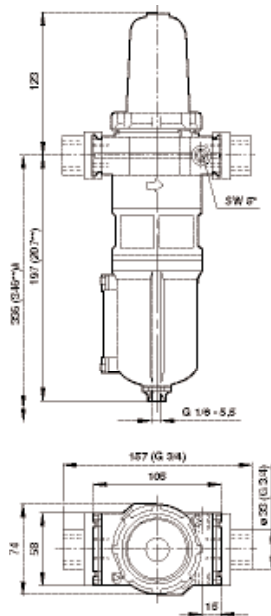
DIMENSIONS

F64B



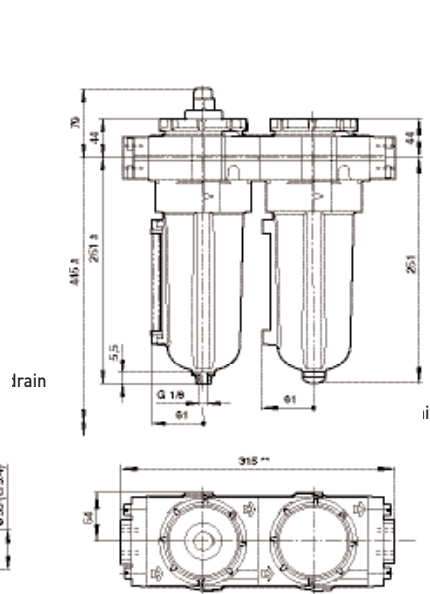
* Gauge port Rc1/8
 ** Manual drain
 # Minimum clearance required to remove bowl

F64L



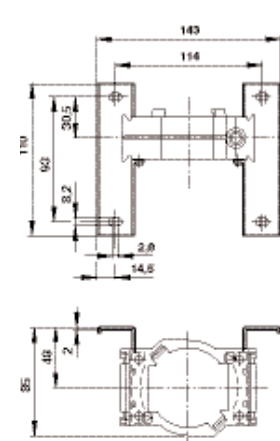
* Gauge port Rc1/8
 ** Optional service indicator
 # Minimum clearance required to remove bowl

FFV68-608 / -808 ‡

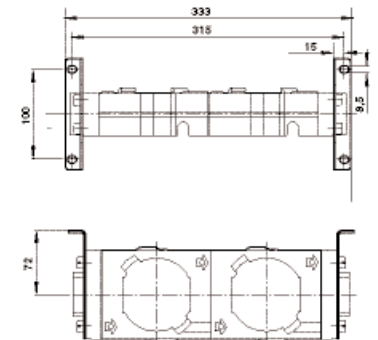


‡ FFV68-408 uses the short bowl version
 # Minimum clearance required to remove bowl
 ** For 1 1/4" and 1 1/2" ported yokes add 10 mm

Bracket mounting F64B/L

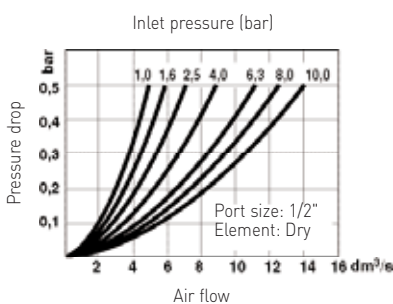


Bracket mounting FFV68

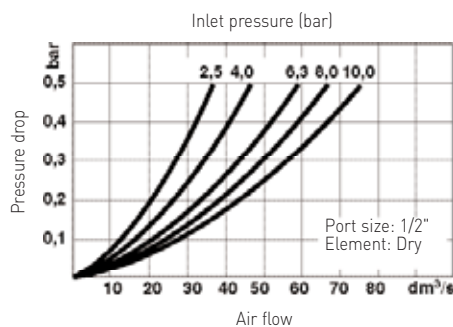


FLOW CHARACTERISTICS

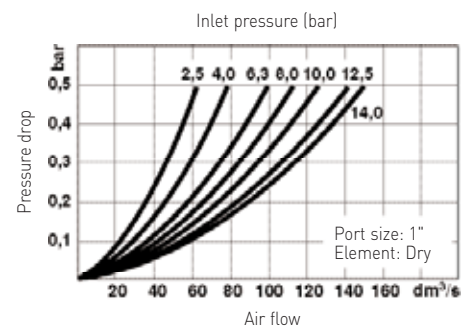
F64L



FFV68-408



FFV68-808



OLYMPIAN PLUS PLUG-IN SYSTEM

Breathing air sets FFB64, FFB68 - G1/4 ... G3/4

FFB64, FFB68



Pre-assembled combinations include a general purpose pre-filter and 'Ultraire®' oil/oil vapour removal filter

Activated carbon pack assists in the removal of hydro-carbon gases and odours

Pre filter extends life of oil removal filter

High quality breathing air for the supply of up to 5 masks

TECHNICAL DATA

Medium:

Compressed air only

Maximum inlet pressure:

17 bar

Note: These units will not remove carbon monoxide, carbon dioxide or other toxic gases or fumes

Remaining oil content:

0.003 mg/m³ (at 21°C)

Particle removal:

To 0.01 µm

Ambient temperature:

-20°C ... +65°C

Consult our Technical Service for use below +2°C

MATERIALS

FFB64

Bowls: aluminium & zinc

Body & yoke: zinc alloy

Pre-filter element: sintered bronze or plastic

Main filter element & activated carbon pack: composite materials

FFB68

Bowls & body: aluminium

Yoke: aluminium

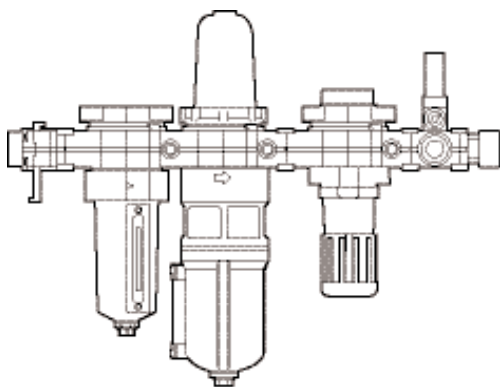
Elastomers: synthetic rubber

Pre-filter element: sintered plastic

Main filter element & activated carbon pack: composite materials

MODELS										ACCESSORIES			
Port size	Flow (dm ³ /s)	kg	Num. of masks	Primary pre-filter (µm)	Auto drain	Manual drain	Model with pressure regulator		Wall mounting bracket	Silencer (shut-off valve*)	3/2 Shut-off valve*		
							Auto	Manual					
G1/4	7	3,20	1	5			FFB64-208	FFB64-228	FFR64-208	FFR64-228	74504-50	T40B1800	T64T-2GB-P1N
G3/8	11	3,57	2	5			FFB64-308	FFB64-328	FFR64-308	FFR64-328	74504-50	T40B1800	T64T-3GB-P1N
G1/2	35	7,45	3	25			FFB68-408	FFB68-428	FFR68-408	FFR68-428	18-001-979	T40B1800	T68H-4GB-B2N
G3/4	60	7,65	4/5	25			FFB68-608	FFB68-628	FFR68-608	FFR68-628	18-001-979	T40B1800	T68H-6GB-B2N

For service kit numbers refer to individual units *Threaded exhaust port.



The addition of a pressure switch and end connector allows a low pressure warning signal to be given to an external electrical circuit.
FFR model shown (64 Series only).

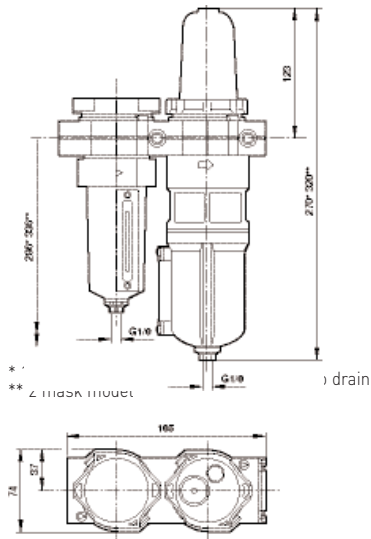
For further information



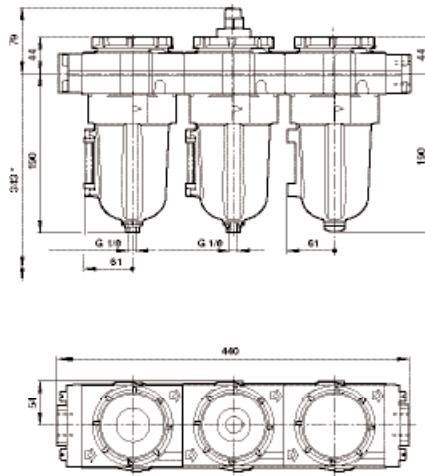
www.norgren.com/info/nec/en6-070

DIMENSIONS

1 & 2 Mask models

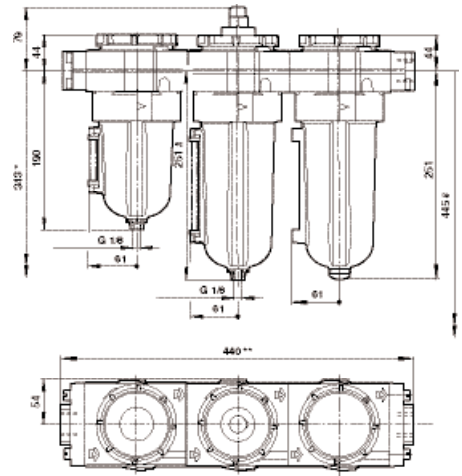


3 Mask models



* Minimum clearance to remove bowl
Weight: 6,56 kg

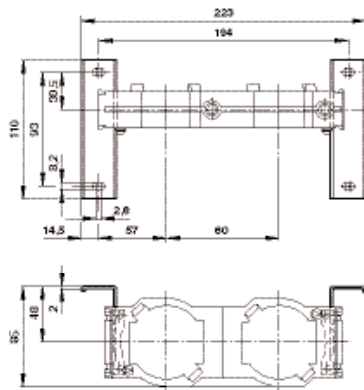
4 & 5 Mask models



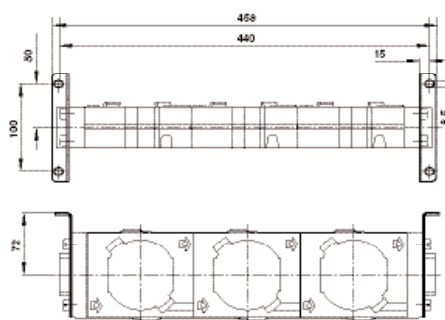
* Minimum clearance to remove bowl
Weight: 7,19 kg

Bracket mounting

1 & 2 Mask models



3, 4 & 5 Mask models



OLYMPIAN PLUS PLUG-IN SYSTEM

Filter/regulators

B64G, B68G - G1/4 ... G1 1/2



B64G



B68G

High efficiency water removal
 Good regulation characteristics
 Non-rising adjusting knob has snap-action lock
 Standard options include nonrelieving models, manual drain and alternative pressure ranges

TECHNICAL DATA

Medium:
 Compressed air only
Maximum inlet pressure:
 17 bar
Gauge ports:
 Rc1/8
Ambient temperature:
 20°C ... +80°C
 Consult our Technical Service for use below +2°C

Pressure range:

B64G: 0,3...17 bar
 B68G: 0,4...17 bar

MATERIALS

B64G

Body & yoke: zinc alloy
 Bonnet & bowl: aluminium
 Elastomers: synthetic rubber
 Filter element: sintered plastic

B68G

Body, bonnet, bowl & yoke: aluminium
 Adjusting knob: acetal resin
 Elastomers: synthetic rubber
 Filter element: sintered plastic

B64G

MODELS					ACCESSORIES					SERVICE KIT	
Port size	Flow* (dm ³ /s)	kg	Auto drain	Manual drain	Wall mounting bracket	Gauge 0 ... 10 bar	3/2 Shut-off valve**	Tamper resistant kit	Silencer (shut-off valve)	Auto drain	Manual drain
G1/4	30	1,71	B64G-2GK-AD3-RMN	B64G-2GK-MD3-RMN	74504-50	18-013-013	T64T-2GB-P1N	4355-51	T40B1800	B64G-KITA40R	B64G-KITM40R
G3/8	76	1,69	B64G-3GK-AD3-RMN	B64G-3GK-MD3-RMN	74504-50	18-013-013	T64T-3GB-P1N	4355-51	T40B1800	B64G-KITA40R	B64G-KITM40R
G1/2	106	1,66	B64G-4GK-AD3-RMN	B64G-4GK-MD3-RMN	74504-50	18-013-013	T64T-4GB-P1N	4355-51	T40B1800	B64G-KITA40R	B64G-KITM40R
G3/4	106	2,02	B64G-6GK-AD3-RMN	B64G-6GK-MD3-RMN	74504-50	18-013-013	T64T-6GB-P1N	4355-51	T40B1800	B64G-KITA40R	B64G-KITM40R

*Typical flow with 10 bar inlet pressure, and 1 bar set pressure and 1 bar drop from set. For replacement filter/regulator (without yoke) substitute "N" at the 5th and 6th digits eg. B64G-NNK-AD3-RMN.** Threated exhaust port.

B68G

MODELS					ACCESSORIES					SERVICE KIT	
Port size	Flow* (dm ³ /s)	kg	Auto drain	Manual drain	Wall mounting bracket	Gauge 0 ... 10 bar	3/2 Shut-off valve**	Tamper resistant kit	Silencer (shut-off valve)	Auto drain	Manual drain
G3/4	240	3,29	B68G-6GK-AR3-RLN	B68G-6GK-MR3-RLN	18-001-979	18-013-013	T68H-6GB-B2N	4355-51	T40B2800	B68G-KITA40R	B68G-KITM40R
G1	240	3,29	B68G-8GK-AR3-RLN	B68G-8GK-MR3-RLN	18-001-979	18-013-013	T68H-8GB-B2N	4355-51	T40B2800	B68G-KITA40R	B68G-KITM40R
G1 1/4	240	3,35	B68G-AGK-AR3-RLN	B68G-AGK-MR3-RLN	18-001-978	18-013-013	T68H-AGB-B2N	4355-51	T40B2800	B68G-KITA40R	B68G-KITM40R
G1 1/2	240	3,35	B68G-BGK-AR3-RLN	B68G-BGK-MR3-RLN		18-013-013	T68H-BGB-B2N	4355-51	T40B2800	B68G-KITA40R	B68G-KITM40R

*Typical flow with 10 bar inlet pressure, and 1 bar set pressure and 1 bar drop from set. For replacement filter/regulator (without yoke) substitute "N" at the 5th and 6th digits eg. B68G-NNK-AR3-RLN.** Threated exhaust port.

For further information



www.norgren.com/info/nec/en6-072

OPTIONS SELECTOR

B64G-★#★-★D★-★

Port size	Substitute
1/4	2
3/8	3
1/2	4
3/4	6
Threads	Substitute
PTF	A
ISO Rc taper	B
ISO G parallel	G
Adjustment	Substitute
Knob	K
T-bar	T
Drain	Substitute
Manual	M
Auto drain	A

Gauge	Substitute
With	G
Without	N
Outlet pressure adjustment range*	Substitute
0,3 ... 4 bar	F
0,3 ... 10 bar	M
0,7 ... 17 bar	S**
Diaphragm	Substitute
Relieving	R
Non relieving	N
Element	Substitute
5 µm	1
40 µm	3

* Can be adjusted to pressures in excess of, and less than, those specified. Do not use these units to control pressures outside of the specified ranges.

B68G-★#★-★-★-★-★-★-★

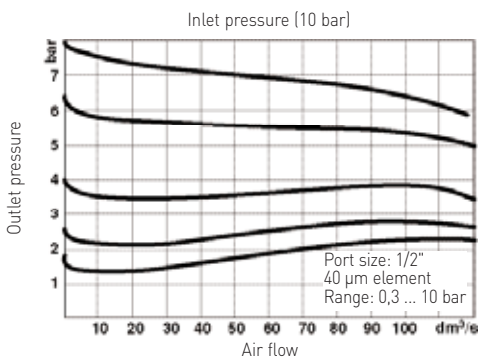
Port size	Substitute
3/4	6
1	8
1 1/4	A
1 1/2	B
Threads	Substitute
PTF	A
ISO Rc taper	B
ISO G parallel	G
Adjustment	Substitute
Knob	K
T-bar	T
Drain	Substitute
Manual	M
Auto drain	A
Bowl	Substitute
0,5 l with liquid level indicator	R
1 l with liquid level indicator	U

Gauge	Substitute
With	G
Without	N
Outlet pressure adjustment range*	Substitute
0,3 ... 4 bar	F
0,3 ... 8 bar	L
0,7 ... 17 bar	S**
Diaphragm	Substitute
Relieving	R
Non relieving	N
Element	Substitute
5 µm	1
40 µm	3

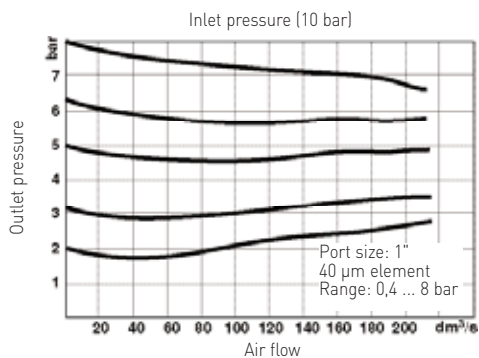
**Units with 17 bar adjustment range are available only with the T-bar adjustment; therefore substitute T at the 7th digit and S at the 12th position.

FLOW CHARACTERISTICS

B64G



B68G

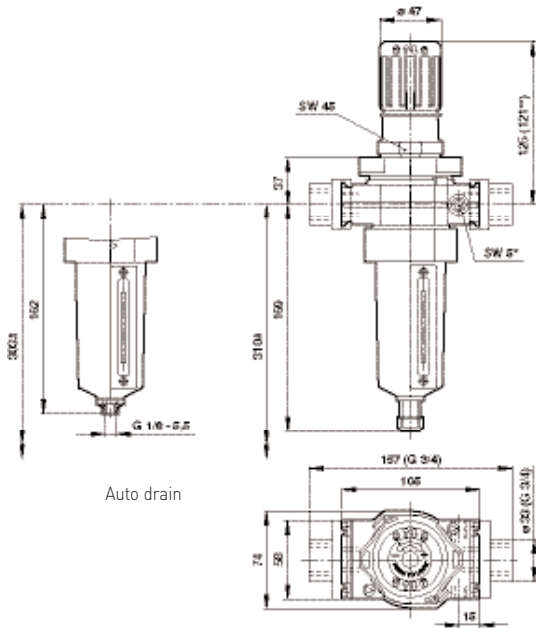


OLYMPIAN PLUS PLUG-IN SYSTEM Filter/regulators

B64G, B68G - G1/4 ... G1 1/2

DIMENSIONS

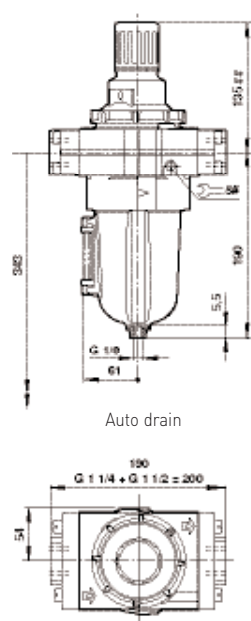
B64G



Auto drain

- * Gauge port Rc1/8
- ** Knob in locked position
- # Minimum clearance required to remove bowl

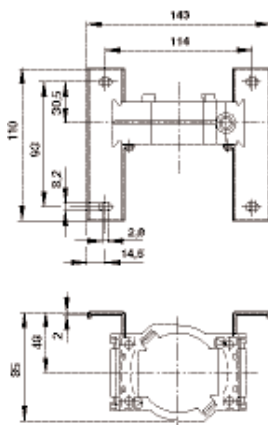
B68G



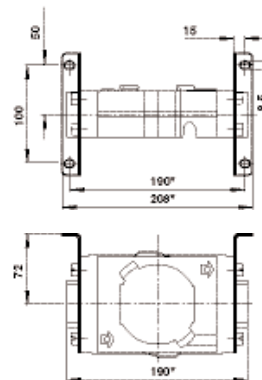
Auto drain

- * Manual drain
- # Minimum clearance required to remove bowl
- *** For 1 1/4" and 1 1/2" ported yokes add 10 mm

Bracket mounting (B64G)



Bracket mounting (B68G)



PROTECTING SYSTEMS, PERSONNEL AND THE ENVIRONMENT

Safety in the workplace is essential and is emphasised via the Machinery Directive, the Pressure Systems legislation and the Provision and Use of Work Equipment Regulations (PUWER).

OVERPRESSURE PROTECTION

In general all pneumatic components and equipment will have a Safe Working Pressure (SWP) and over pressure limit of 10%. The designer of the pneumatic system can use regulators to run the system at pressures below the SWP and use the 10% safety factor to be the limit of over pressure that the system can experience with the relief valve in operation.

RELIEF VALVES

Several types of relief valves exist to achieve different levels of performance with respect to the flow capacity and over pressure limitations. The most common is the 'pop' type, followed by the diaphragm type. For better performance use pilot operated valves with the integral pilot operated type being the most compact and cost effective

SOFT START/DUMP VALVES

The next form of protection is that associated with the moving parts of the system, where the parts themselves can need protection against excessive wear due to loading on start up or there is danger to personnel from sudden movement of the parts.

Here the use of "soft start" ("slow start") valves is desirable.

It is extremely common to couple the slow start valve with a dump or exhaust function valve within one body, for compactness.

The function of the 'dump' valve is to quickly exhaust the pressure from the downstream system.

EXHAUST AIR

Exhaust air needs to be treated correctly to reduce the effects of noise, oil mist and to minimise danger to personnel.

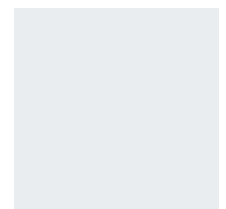
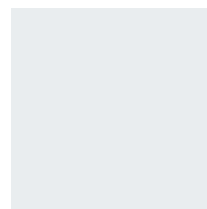
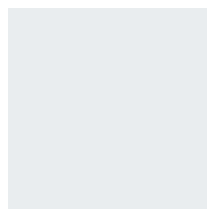
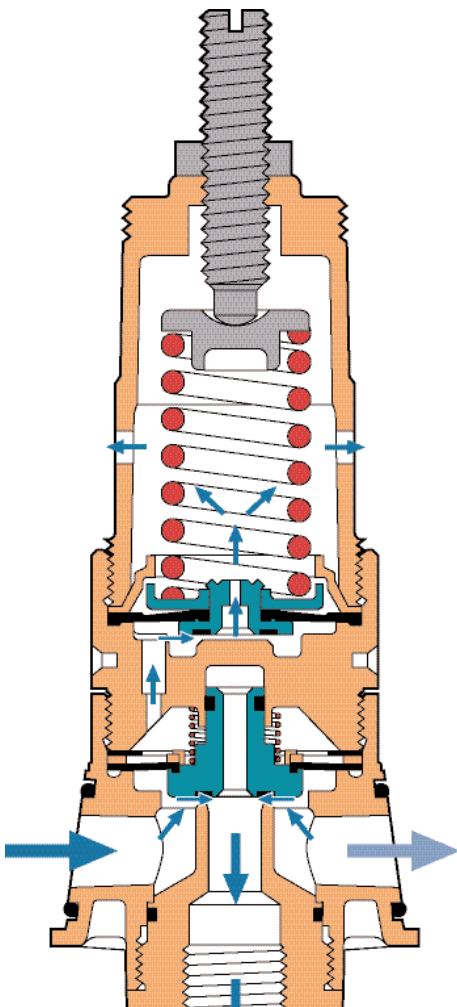
Where a dump valve is employed, large volumes of air can be released at high speed which will produce high noise levels. Quietaire silencers are often able to deal with this.

Incorrectly lubricated systems or those which require high levels of lubrication for heavy duty applications can expel high levels of oil into the atmosphere on their exhaust cycle. In such instances use of a coalescing exhaust silencer should be considered.

OTHER PRODUCTS FOR SAFE SYSTEMS

Other air line products that can help create

- safe pneumatic systems
- » Preset pressure regulators
- » Lockable shut-off valves
- » Tamper resistant kits



OLYMPIAN PLUS PLUG-IN SYSTEM

Pressure regulators

R64G, R68G - G1/4 ... G1 1/2



R64G



R68G

Diaphragm and balanced valve design ensure good regulation characteristics

Non-rising adjusting knob has snap-action lock

Standard options include non relieving models and alternative pressure ranges

TECHNICAL DATA

Medium:

Compressed air only

Maximum inlet pressure:

17 bar [R64G]

20 bar [R68G]

Gauge ports:

Rc1/8

Ambient temperature:

-20°C ... +80°C

Consult our Technical Service for use below +2°C

Pressure range:

R64G: 0,3...17 bar

R68G: 0,4...17 bar

MATERIALS

R64

Body & yoke: zinc alloy

Bonnet: aluminium

Elastomers: synthetic rubber

R68G

Body, bonnet & yoke: aluminium

Adjusting knob: acetal resin

Optional T-bar adjusting screw: steel

Elastomers: synthetic rubber

R64G

		MODELS		ACCESSORIES				SERVICE KIT		
Port size	Flow* (dm ³ /s)	kg		Wall mounting bracket	Gauge 0 10 bar	3/2 Shut-off valve**	Silencer (shut-off valve)	Tamper resistant kit		
	G1/4	35	1,54		74504-50	18-013-013	T64T-2GB-P1N	T40B1800	4355-51	R64G-KITR
	G3/8	80	1,52	R64G-3GK-RMN	74504-50	18-013-013	T64T-3GB-P1N	T40B1800	4355-51	R64G-KITR
	G1/2	120	1,49	R64G-4GK-RMN	74504-50	18-013-013	T64T-4GB-P1N	T40B1800	4355-51	R64G-KITR
	G3/4	120	1,85	R64G-6GK-RMN	74504-50	18-013-013	T64T-6GB-P1N	T40B1800	4355-51	R64G-KITR

*Typical flow with 10 bar inlet pressure, 6.3 bar set pressure 1 bar drop from set. For replacement regulator (without yoke) substitute 'N' at the 5th and 6th digits eg: R64G-NNK-RMN.

** Threaded exhaust port.

R68G

		MODELS		ACCESSORIES				SERVICE KIT		
Port size	Flow (dm ³ /s)	kg		Wall mounting bracket	Gauge 0 10 bar	3/2 Shut-off valve**	Silencer (shut-off valve)	Tamper resistant kit		
	G3/4	150	1,95		18-001-979	18-013-013	T68H-6GB-B2N	T40B2800	4355-51	R68G-KITR
	G1	180	1,89	R68G-8GK-RLN	18-001-979	18-013-013	T68H-8GB-B2N	T40B2800	4355-51	R68G-KITR
	G1 1/4	180	1,93	R68G-AGK-RLN	18-001-978	18-013-013	T68H-AGB-B2N	T40B2800	4355-51	R68G-KITR
	G1 1/2	180	1,97	R68G-BGK-RLN			T68H-BGB-B2N	T40B2800	4355-51	R68G-KITR

*Typical flow with 10 bar inlet pressure, 6.3 bar set pressure 1 bar drop from set. For replacement regulator (without yoke) substitute 'N' at the 5th and 6th digits eg: R68G-NNK-RLN.

** Threaded exhaust port.

For further information



www.norgren.com/info/nec/en6-076

OPTIONS SELECTOR

Port size	Substitute
1/4	2
3/8	3
1/2	4
3/4	6

Threads	Substitute
PTF	A
ISO Rc taper	B
ISO G parallel	G

Adjustment	Substitute
Knob	K
T-bar	T

R64G-★ ★ ★ - ★ ★ ★

Gauge	Substitute
With	G
Without	N

Outlet pressure adjustment range*	Substitute
0,3 ... 4 bar	F
0,3 ... 10 bar	M
0,7 ... 17 bar	S**

Diaphragm	Substitute
Relieving	R
Non relieving	N

* Can be adjusted to pressures in excess of, and less than, those specified. Do not use these units to control pressures outside of the specified ranges.

** Units with 17 bar outlet pressure range are available only with the T-bar adjustment; therefore substitute T at the 7th digit and S at the 9th position.

Port size	Substitute
3/4	6
1	8
1 1/4	A
1 1/2	B

Threads	Substitute
PTF	A
ISO Rc taper	B
ISO G parallel	G

Adjustment	Substitute
Knob	K
T-bar	T

R68G-★ ★ ★ - ★ ★ ★

Gauge	Substitute
With	G
Without	N

Outlet pressure adjustment range*	Substitute
0,3 ... 4 bar	F
0,4 ... 8 bar	L
0,7 ... 17 bar	S**

Diaphragm	Substitute
Relieving	R
Non relieving	N

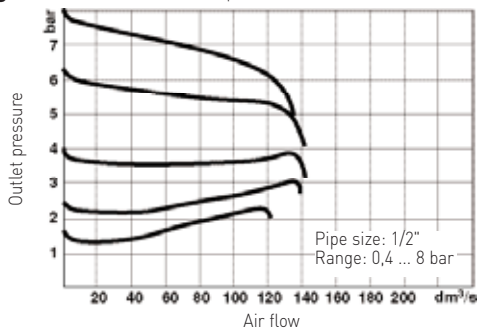
* Can be adjusted to pressures in excess of, and less than, those specified. Do not use these units to control pressures outside of the specified ranges.

** Units with 17 bar outlet pressure range are available only with the T-bar adjustment; therefore substitute T at the 7th digit and S at the 9th position.

FLOW CHARACTERISTICS

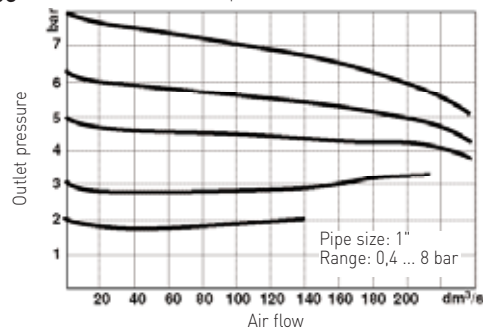
R64G

Inlet pressure (10 bar)



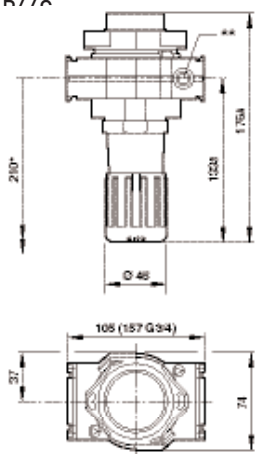
R68G

Inlet pressure (10 bar)

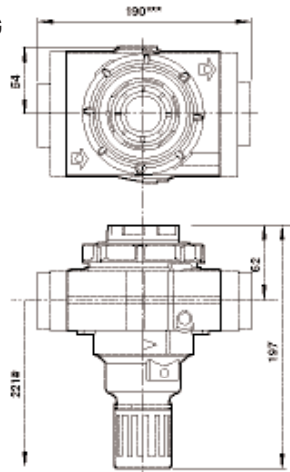


DIMENSIONS

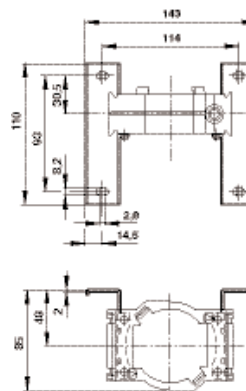
R64G



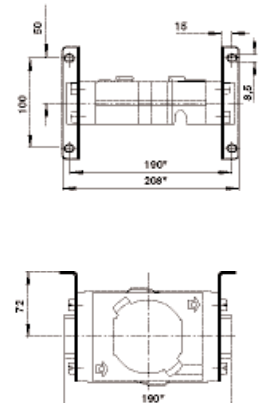
R68G



Bracket mounting (R64G)



Bracket mounting (R68G)



* Minimum clearance required to remove unit from yoke
Reduces by 4 mm with knob in locked position

Minimum clearance required to remove unit from yoke
*** For 1 1/4" and 1 1/2" ported yokes add 10 mm
Panel mounting hole Ø: 52 mm
Panel thickness: 0 ... 6 mm

OLYMPIAN PLUS PLUG-IN SYSTEM

Lubricators

L64, L68 - G1/4 ... G1 1/2



Micro-fog plug-in lubricators for best lubrication in general purpose pneumatic applications
Oil-fog option available

Ambient temperature:
-20°C ... +80°C
Consult our Technical Service for use below +2°C

TECHNICAL DATA

Medium:
Compressed air only
Maximum inlet pressure:
17 bar
Start point:
L64: 1,5 dm³/s
L68: 6 dm³/s
Bowl capacity (litre):
L64: 0,2
L68: 0,5

MATERIALS

L64
Body & yoke: zinc alloy
Sight dome: transparent nylon
Elastomers: synthetic rubber
L68
Bowl (0,5 litre), body & yoke: aluminium
Sight dome: transparent nylon
Elastomers: synthetic rubber

L64

MODELS			ACCESSORIES			SERVICE KIT	
Port size	Flow* (dm ³ /s)	kg	Wall mounting bracket	3/2 Shut-off valve**	Silencer (shut-off valve)		
	G1/4	25	1,42				
	G3/8	62	1,40	74504-50	T64T-2GB-P1N	T40B1800	L64M-KIT
	G1/2	72	1,37	74504-50	T64T-3GB-P1N	T40B1800	L64M-KIT
	G3/4	72	1,73	74504-50	T64T-4GB-P1N	T40B1800	L64M-KIT
				74504-50	T64T-6GB-P1N	T40B1800	L64M-KIT

*Typical flow with 6.3 bar inlet, 0.5 bar pressure drop. To order a basic unit without yoke substitute 'N' at the 5th and 6th letters respectively e.g. L64M-NNP-EDN. Models listed are Micro-fog. For Oil-fog models, including kits, replace 'M' at the 4th digit by 'C' e.g. L64C-4GP-EDN ** Threaded exhaust port.

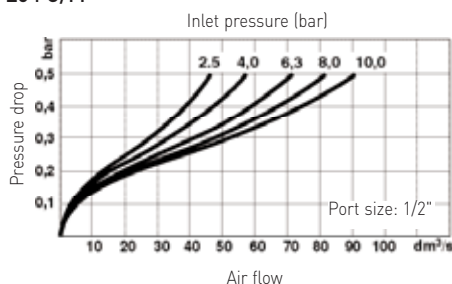
L68

MODELS			ACCESSORIES			SERVICE KIT	
Port size	Flow* (dm ³ /s)	kg	Wall mounting bracket	3/2 Shut-off valve**	Silencer (shut-off valve)		
	G3/4	200	2,10				
	G1	200	2,04	18-001-979	T68H-6GB-B2N	T40B2800	L68M-KIT
	G1 1/4	200	2,08	18-001-979	T68H-8GB-B2N	T40B2800	L68M-KIT
	G1 1/2	200	2,12	18-001-978	T68H-AGB-B2N	T40B2800	L68M-KIT
				-	T68H-BGB-B2N	T40B2800	L68M-KIT

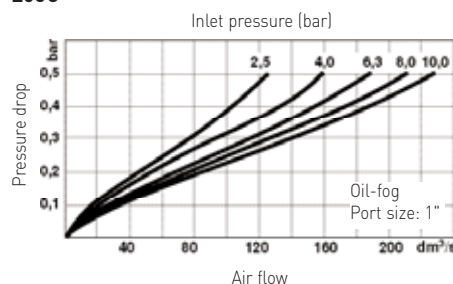
*Typical flow with 6.3 bar inlet, 0.5 bar pressure drop. To order a basic unit without yoke substitute 'N' at the 5th and 6th letters respectively e.g. L68M-NNP-EDN. Models listed are Micro-fog. For Oil-fog models, including kits, replace 'M' at the 4th digit by 'C' e.g. L68C-4GP-EDN ** Threaded exhaust port.

FLOW CHARACTERISTICS

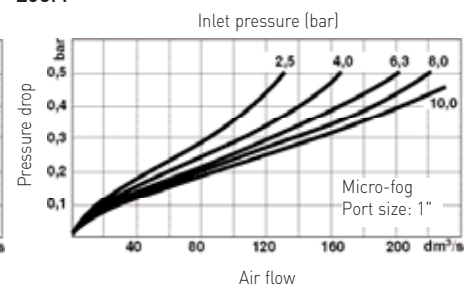
L64 C/M*



L68C*



L68M*



* Not fixed venturi version. Please contact Norgren Technical for fixed venturi information

For further information



www.norgren.com/info/nec/en6-078

OPTIONS SELECTOR

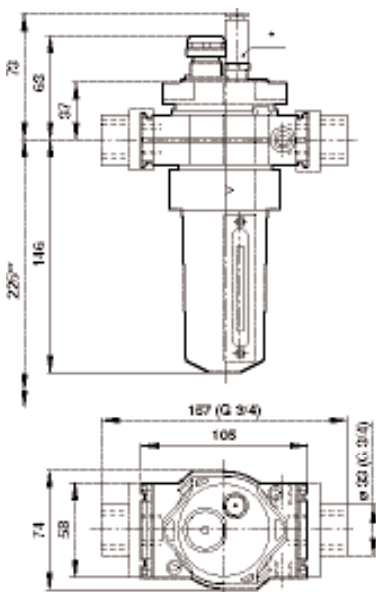
L64★-★P-E★★		Options	
Type	Substitute	Options	Substitute
Oil-fog	C	None	N
Micro-fog	M	Quick fill device	Q
Port size		Bowl	
1/4"	2	Metal with liquid level indicator	D
3/8"	3	Long metal bowl with liquid level indicator	A
1/2"	4		
3/4"	6		
Threads		Substitute	
PTF	A		
ISO Rc taper	B		
ISO G parallel	G		

L68★-★P-★★★		Options	
Type	Substitute	Options	Substitute
Oil-fog	C	None	N
Micro-fog	M	Quick fill device	Q
Port size		Bowl	
3/4"	6	0,5 l with sight glass	R*
1	8	1 l with sight glass	U*
1 1/4	A		
1 1/2	B		
Threads		Drain	
PTF	A	Closed bottom bowl	E
ISO Rc taper	B	Remote fill	R
ISO G parallel	G		

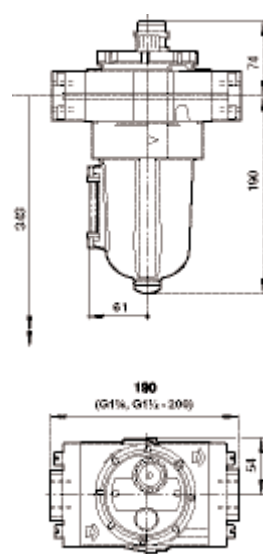
*Remote fill only available with 0,5 and 1 litre bowls

DIMENSIONS

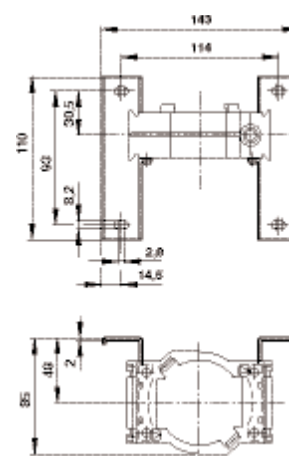
L64



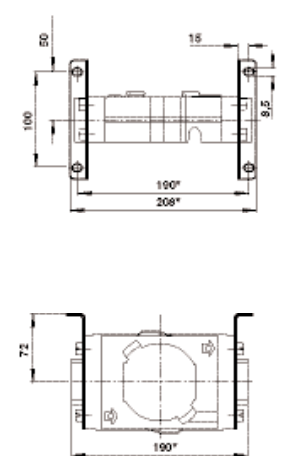
L68



Bracket mounting (L64)



Bracket mounting (L68)



*Optional quick fill device

** Minimum clearance required to remove bowl

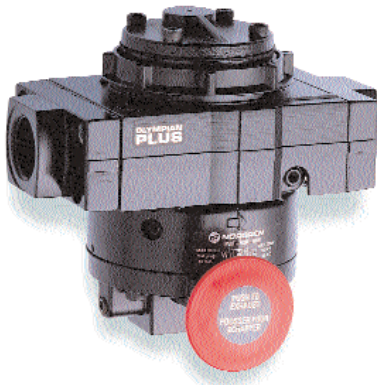
Minimum clearance required to remove bowl

** For 1 1/4" and 1 1/2" ported yokes add 10 mm

OLYMPIAN PLUS PLUG-IN SYSTEM

Soft start/dump valves

P64F & P68F - G1/4 ... G1 1/2



P68F



P64F

Assists machine designers in complying with the European Machineries Directive

Can help existing machinery to comply with PUWER (Provision and Use of Work Equipment Regulations)

Controlled increase of downstream pressure on start up

Solenoid, air pilot or manual operator

High forward flow capacity

High flow dump facility

TECHNICAL DATA

Medium:

Compressed air

Maximum operating pressure:

For solenoid operated versions: 10 bar

For pilot operated versions: 17 bar

Minimum operating pressure:

3 bar

Ambient temperature:

-20°C ... +80°C (solenoid version up to +50°C)

Consult our Technical Service for use below +2°C

Air pilot port:

P64F Rc1/4

P68F G1/4

Exhaust port:

P64F G1/2

P68F G1

Maximum flow:

P64F 57dm³/s

P68F 147dm³/s

Note: Maximum flow with 6,3 bar inlet pressure and pressure drop of 0,5 bar

Snap pressure:

Full flow when downstream pressure reaches 50-80% of inlet pressure

MATERIALS

P64F

Body & yoke: zinc alloy

Intermediate body: aluminium

Top plate: zinc

P68F

Body & yoke: aluminium

Intermediate body & top plate: aluminium

Elastomers: synthetic materials

Filter discs: sintered plastic

Internal components: brass/steel

P64F

Port size	MODELS		ACCESSORIES				
	Solenoid pilot operated	Air pilot operated	Wall mounting bracket	3/2 Shut-off valve*	Silencer (shut-off valve)	Silencer	Connector plug with cable gland
 Solenoid pilot operated	G1/4	P64F-2GC-PFN					
	G3/8	P64F-3GC-PFN					
	G1/2	P64F-4GC-PFN					
 Air pilot operated	G3/4	P64F-6GC-PFN	74504-50	T64T-6GB-P1N	T40B1800	MB004B	0657868000000000 Standard plug
			74504-50	T64T-3GB-P1N	T40B1800	MB004B	M/P24121/1 10 ... 50 V a.c./d.c.
			74504-50	T64T-4GB-P1N	T40B1800	MB004B	M/P24121/2 70 ... 110 V a.c.
			74504-50	T64T-6GB-P1N	T40B1800	MB004B	

P68F

Port size	MODELS		ACCESSORIES				
	Solenoid pilot operated	Air pilot operated	Wall mounting bracket	3/2 Shut-off valve*	Silencer (shut-off valve)	Silencer	Connector plug with cable gland
 Solenoid pilot operated	G3/4	P68F-6GH-NPN					
	G1	P68F-8GH-NPN					
	G1 1/4	P68F-AGH-NPN					
 Air pilot operated	G1 1/2	P68F-BGH-NPN	18-001-979	T68H-6GB-B2N	T40B1800	MB008B	M/P24120/1 10 ... 50 V a.c./d.c.
			18-001-979	T68H-8GB-B2N	T40B1800	MB008B	M/P24120/2 70 ... 115 V a.c./d.c.
			18-001-979	T68H-AGB-B2N	T40B1800	MB008B	M/P15737
			18-001-979	T68H-BGB-B2N	T40B1800	MB008B	

*Threaded exhaust port.

Solenoid operated models are supplied with 24 V d.c. solenoids but without connector plugs. To select alternative voltages and other options refer to the Options selector below.

For replacement soft start/dump valve, without yoke substitute 'NN' at 5th and 6th digit eg. P64F-NNC-PFN.

For replacement soft start/dump valve without yoke substitute 'N' at 5th digit, e.g. P68F-NGH-NPN

P68F models supplied with manual lockout as standard.

For further information



www.norgren.com/info/nec/en6-080

OPTIONS SELECTOR

P6★F-★-★-★-★-★

Series	Substitute
64	4
68	8

Port size	Substitute
1/4*	2
3/8*	3
1/2*	4
3/4	6
1**	8
1 1/4**	A
1 1/2**	B

* 64 series only ** 68 series only

Threads	Substitute
PTF	A
ISO Rc taper	B
ISO G parallel	G

Connectors	Substitute
3 pin plug with cable gland, no indicator	A
Without	N

P64F (22 mm solenoid)

Coil voltage	Nominal power rating	Substitute
24 V d.c.	2 W	F
12 V d.c.	2 W	E
6 V d.c.	2 W	D
220/240 V, 50/60 Hz	4/2,5 V A	B
110/120 V, 50/60 Hz	4/2,5 V A	A
No coil	-	Z
No solenoid	-	N

P68F (32 mm solenoid)

Coil voltage	Nominal power rating	Substitute
24 V d.c.	4,5 W	P
12 V d.c.	4,5 W	Q
6 V d.c.	4,5 W	M
220/240 V, 50/60 Hz	14/10 V A	K
110/120 V, 50/60 Hz	14/10 V A	J
No solenoid	-	N

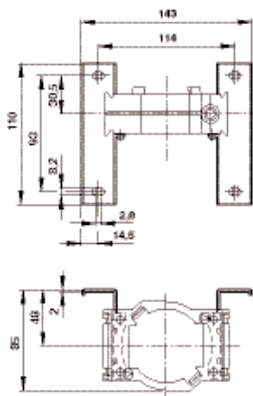
Solenoid manual operator	Substitute
Shrouded push button	P
None	N

Operator	Substitute
Air pilot	A
Air pilot with manual lockout	B
22 mm miniature solenoid	C
22 mm miniature solenoid with manual lockout	D
32 mm solenoid	G*
32 mm solenoid with manual lockout	H*
CNOMO solenoid	L
CNOMO solenoid with manual lockout	M
Direct ported bottom plate	N*

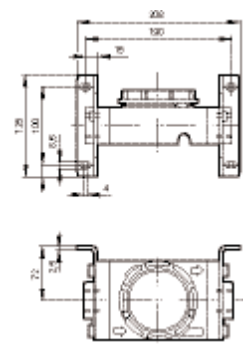
*P68F only

DIMENSIONS

Bracket mounting (P64F)

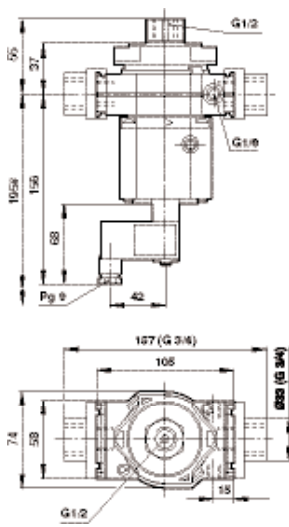


Bracket mounting (P68F)



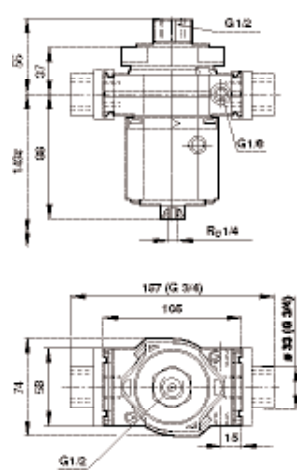
P64F

Solenoid operated



* Gauge port Rc1/8
Minimum clearance to remove unit.

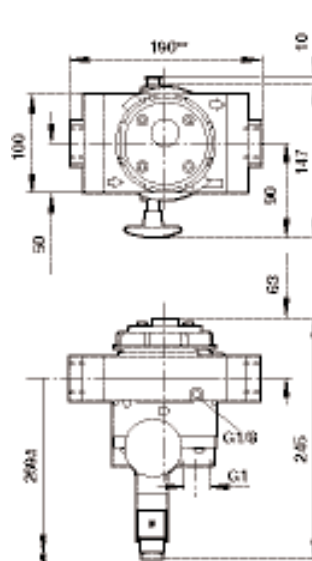
Air pilot operated



* Gauge port Rc1/8
Minimum clearance to remove unit.

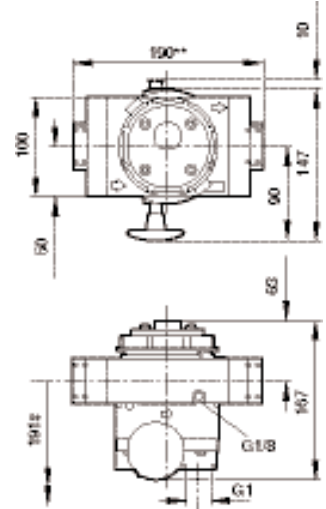
P68F

Solenoid operated plus manual shut-off with lockout



** 200 mm for 1 1/4 and 1 1/2 models.
Minimum clearance to remove unit.

Air pilot operated plus manual shut-off with lockout



** 200 mm for 1 1/4 and 1 1/2 models.
Minimum clearance to remove unit.

OLYMPIAN PLUS PLUG-IN SYSTEM

Soft start monitored dump valve

P64S - G1/4, G3/4

P64S



Complete air processing units
 Olympian Plus plug in design or
 Controlled increase of
 downstream pressure on start up
 Monitored dump function
 High forward flow capacity
 High flow dump facility
 Soft start valves allow a
 controlled increase of pressure
 onto downstream cylinders /
 machines offering protection to
 personnel equipment
 The positively driven micro
 switch ensures a monitored
 dump function

Note: Turn on system air supply prior to
 applying signal to operator. Failure to do
 so may cause valve to continuously
 exhaust

TECHNICAL DATA

Fluid:

Compressed air

Maximum pressure:

16 bar

Minimum operating pressure:

3 bar

Operating temperature:

-20°C ... 50°C

(Solenoid rating max is 50°C whilst unit max is
 80°C. Consult our technical service below +2°C)

Gauge Ports:

Rc1/8

Exhaust ports:

ISO G1/2 with ISO G and Rc main
 ports, 1/2" PTF with PTF main
 ports

Typical flow with 6,3 bar inlet
 pressure and outlet pressure
 drop of 0,5 var

57dm³/s (P1 ... P2 = Cv 4,2) (P2 ...
 P3 Cv = 5,6)

Snap pressure:

Full flow when downstream
 pressure reaches 35% - 60% of
 inlet pressure

Charge time:

For 2 litre downstream volume
 and inlet pressure of 6,3 bar, 0,2s
 minimum, 75 secs. maximum

Solenoid operator:

22 mm, 24V DC, 2W only (no
 manual override)

MATERIALS

Body: zinc alloy

Intermediate body: aluminium

Elastomers: synthetic materials

Filter discs: sintered plastic

Internal components: brass /
 steel / stainless steel

Top plate: aluminium

Exhaust Bonnet: zinc alloy

Yoke: zinc alloy




OPTIONS SELECTOR

P64S-***C-N1N

Port size	Substitute
1/4"	2
3/8"	3
1/2"	4
3/4"	6

Thread Type	Substitute
PTF	A
ISO Rc Parallel	B
ISO G Parallel	G
No Yoke	N

ACCESSORIES

Series	Wall mounting bracket	Silencer	Gauge 4 ... 25 bar
P64S	 74504-50	 MB008B (R1/2) MB004A	 18-013-012 (4 bar) 18-013-013 (10 bar) 18-013-014 (25 bar)

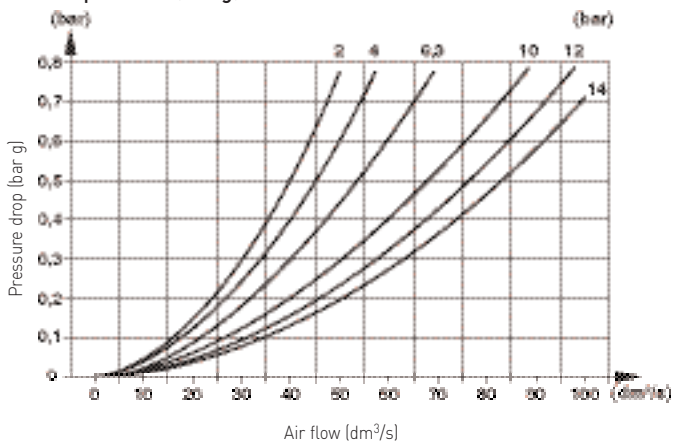
For further information



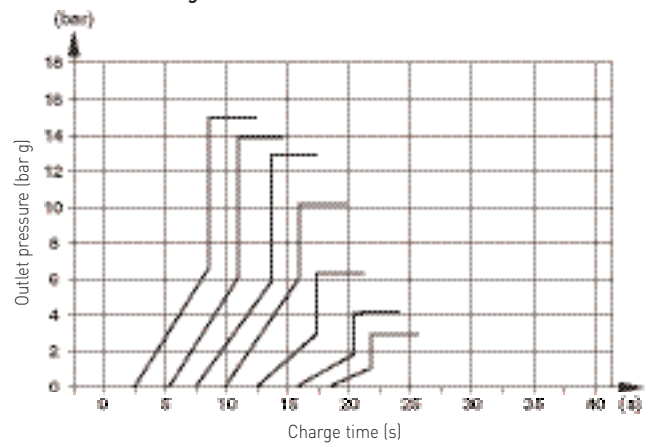
www.norgren.com/info/nec/en6-082

FLOW CHARACTERISTICS

Inlet pressure (bar g)

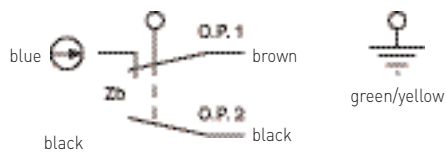


Maximum charge time



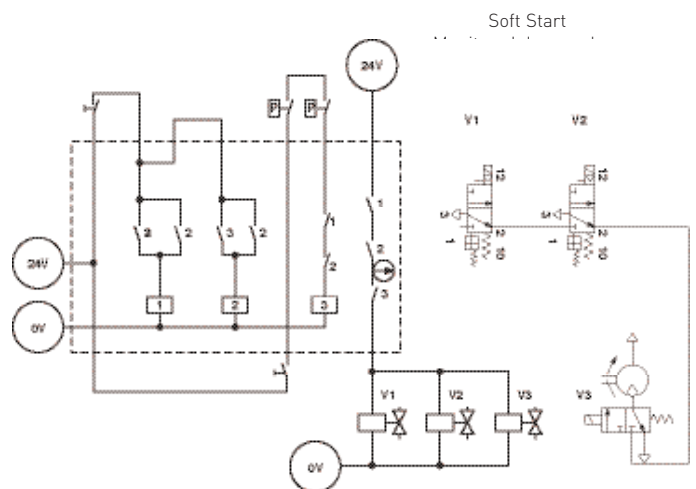
SWITCH DETAILS

All electrical connections to be made by a competent licensed electrician
 Break - before - Make contact
 1 Normally Open / 1 Normally Closed

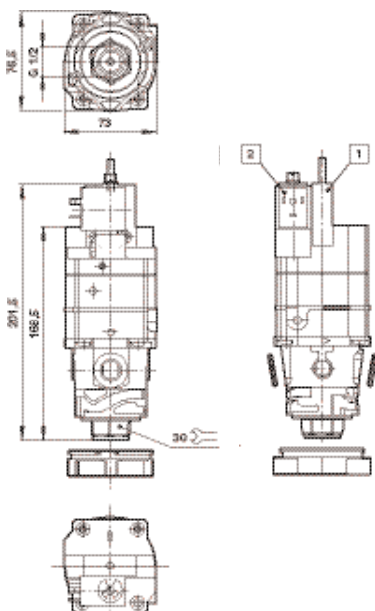


PILZ RELAY

To assist in compliance with the Machinery Directive 89/392/EEC a Pilz circuit should be used.
 This requires 2 units.



DIMENSIONS



T-LOCKOUT

3/2 Spool valve

CR14 - G1/4 ... G1 1/4

CR14



Fully isolates supply pressure
 Lockable
 Rapid exhaust
 Ideal for isolating supply lines during maintenance and servicing
 High flow

TECHNICAL DATA

Medium:

Compressed air, filtered, lubricated and non-lubricated

Operation:

Spool valve, manually actuated

Port size:

G1/4 ... G1 1/4

Operating pressure:

20 bar maximum

Flow:

Refer to tables overleaf

Operating temperature:

-30°C ... +80°C

Consult our Technical Service for use below +2°C

MATERIALS

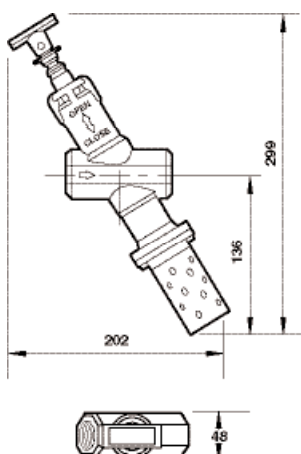
Aluminium body, spool, T-handle and silencer, stainless steel detent spring, nitrile seals

	Basic size	Port size	Flow in-out [Cv]	Flow out-exhaust [Cv]	MODELS	SPARES KIT
	1/2"	G1/4	4,2	6,0	CR143A	53474-43
	1/2"	G3/8	6,6	6,6	CR143B	53474-43
	1/2"	G1/2	9,3	7,9	CR143C	53474-43
	1/2"	G3/4	12,6	8,6	CR143D	53474-43
	1"	G3/4	10,6	8,0	CR144A	53475-34
	1"	G1	16,2	9,2	CR144B	53475-34
	1"	G1 1/4	25,3	8,9	CR144C	53475-34

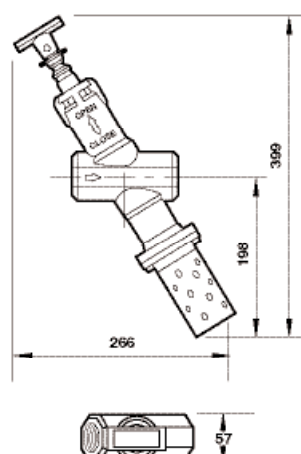


DIMENSIONS

1/2" Basic



1" Basic



For further information



www.norgren.com/info/nec/en6-084

COMPRESSED AIR SYSTEMS FREE OF MOISTURE WITH NORGREN MEMBRANE DRYERS

General purpose and oil removal filters (coalescing and adsorption) will satisfactorily remove liquid water, solid impurities, liquid oil, oil aerosols and vapors, but are not able to remove water vapor. Moisture-laden air is not compatible with a clean and efficient system.

Norgren membrane dryers can provide dew point suppression up to 44°C below ambient temperature and is available with nominal flows of 1, 2.4, 4.75, 9.75 and 14.2 dm³/s.



- » Low installation cost
- » Low operational cost
- » Compact
- » Maintenance free
- » Easy to install
- » Suitable for hazardous environments



APPLICATIONS

Air bearings, air logic circuits, air brushing, air operated pumps, analytical instrumentation, dry powder coating, electronic chip testing, environmental chambers, explosion-proof areas, graphic printing, laboratory equipment, materials handling equipment, painting, pollution instrumentation, precision machinery, robotic equipment, spectrometers, etc.

W07M

Nominal flow (dm³/s)
- Outlet: 1,00
- Inlet: 1,06

W72M

Nominal flow (dm³/s)
- Outlet: 2,40 / 4,75
- Inlet: 2,65 / 5,27

W74M

Nominal flow (dm³/s)
- Outlet: 14,20
- Inlet: 15,76

OLYMPIAN PLUS PLUG-IN SYSTEM

Pressure relief valves

V64H, V68H - G1/4 ... G1



V64H



V68H

Olympian relief valves protect compressed air systems from over-pressurisation

High relief capacity, sensitive and accurate

Threaded relief port for silencer or piped exhaust

Norgren pressure relief valves comply with category O(S.E.P.) and category 1 of the Pressure Equipment Directive 97/23/EC

TECHNICAL DATA

Medium:

Compressed air only

Gauge ports:

Rc1/8

Relief port:

G1/2 (V64H), G1 (V68H)

Ambient temperature:

-20°C ... +80°C

Consult our Technical Service for use below +2°C

Relief pressure adjustment

range:

0,3 ... 17 bar

MATERIALS

V64H

Body, bonnet & yoke: zinc alloy

Bottom plug: aluminium

Adjusting screw: steel

Elastomers: synthetic rubber

V68H

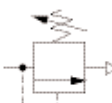








Body, intermediate body, bonnet,

bottom plug & yoke: aluminium

Adjusting screw: steel

Elastomers: synthetic rubber

V64H

Port size	kg	MODELS	ACCESSORIES					SERVICE KIT	
			Wall mounting bracket	Tamper resistant kit	Gauge 0 ... 10 bar	Silencer	3/2 Shut-off valve*		Silencer (shut-off valve)
									
G1/4	1,68	V64H-2GD-RMN	74504-50	1581-90	18-013-013	MB004B	T64T-2GB-P1N	T40B1800	V64H-KIT
G3/8	1,66	V64H-3GD-RMN	74504-50	1581-90	18-013-013	MB004B	T64T-3GB-P1N	T40B1800	V64H-KIT
G1/2	1,63	V64H-4GD-RMN	74504-50	1581-90	18-013-013	MB004B	T64T-4GB-P1N	T40B1800	V64H-KIT
G3/4	1,99	V64H-6GD-RMN	74504-50	1581-90	18-013-013	MB004B	T64T-6GB-P1N	T40B1800	V64H-KIT

* Threaded exhaust port

V68H

Port size	kg	MODELS	ACCESSORIES					SERVICE KIT	
			Wall mounting bracket	Tamper resistant kit	Gauge 0 ... 10 bar	Silencer	3/2 Shut-off valve*		Silencer (shut-off valve)
									
G3/4	2,21	V68H-6GD-RMN	18-001-979	1581-90	18-013-013	MB008B	T68H-6GB-B2N	T40B2800	V68H-KIT
G1	2,20	V68H-8GD-RMN	18-001-979	1581-90	18-013-013	MB008B	T68H-8GB-B2N	T40B2800	V68H-KIT
G1 1/4	2,22	V68H-AGD-RMN	18-001-979	1581-90	18-013-013	MB008B	T68H-AGB-B2N	T40B2800	V68H-KIT
G1 1/4	2,26	V68H-BGD-RMN	18-001-979	1581-90	18-013-013	MB008B	T68H-BGB-B2N	T40B2800	V68H-KIT

* Threaded exhaust port

For further information



www.norgren.com/info/nec/en6-086

OPTIONS SELECTOR

V64H-★★D-R★★

Port Size	Substitute
1/4"	2
3/8"	3
1/2"	4
3/4"	6

Threads	Substitute
PTF	A
ISO Rc taper	B
ISO G parallel	G

Gauge	Substitute
With	G
Without	N

Outlet pressure adjustment range*	Substitute
0,3 ... 4 bar	F
1 ... 10 bar	M
0,7 ... 17 bar	S

*Relief valve can be adjusted to pressures in excess of, and less than, those specified. Do not use these units to control pressures outside of the specified ranges.

V68H-★★D-R★★

Port Size	Substitute
3/4"	6
1"	8
1 1/4"	A
1 1/2"	B

Threads	Substitute
PTF	A
ISO Rc taper	B
ISO G parallel	G

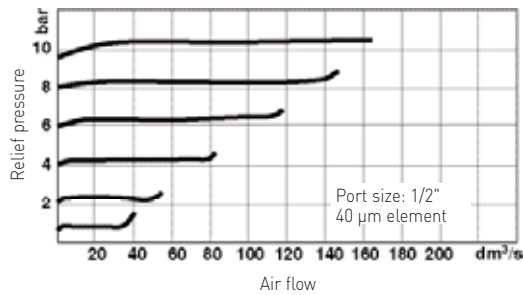
Gauge	Substitute
With	G
Without	N

Outlet pressure adjustment range*	Substitute
0,3 ... 4 bar	F
1 ... 10 bar	M
0,7 ... 17 bar	S

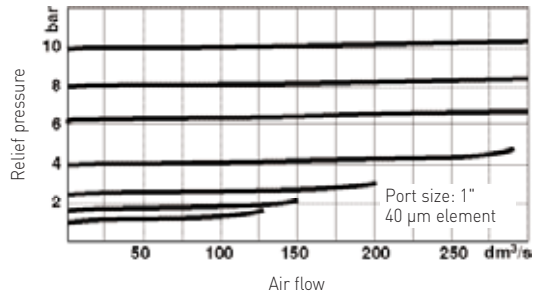
*Relief valve can be adjusted to pressures in excess of, and less than, those specified. Do not use these units to control pressures outside of the specified ranges.

FLOW CHARACTERISTICS

V64H

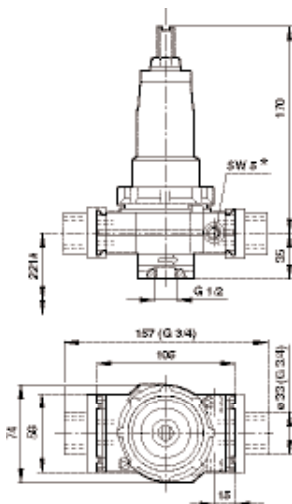


V68

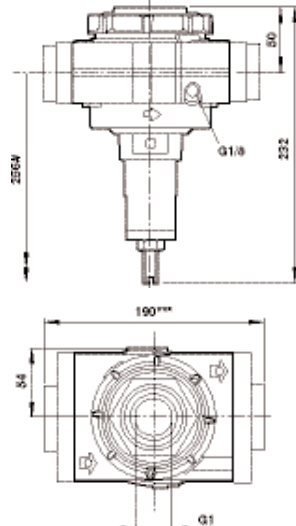


DIMENSIONS

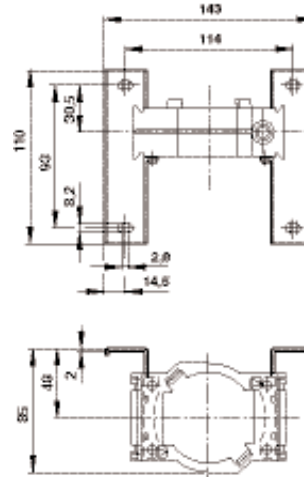
V64H



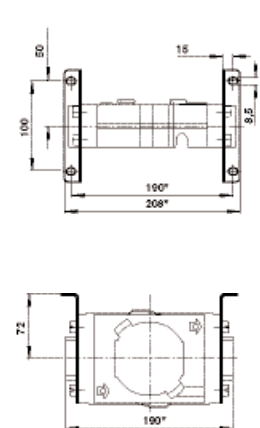
V68H



Bracket mounting (V64H)



Bracket mounting (68H)



* Gauge port Rc1/8
Minimum clearance required to remove unit from yoke

Minimum clearance required to remove unit from yoke
*** For 1 1/4" and 1 1/2" ported yokes add 10 mm

MINIATURE COMBINATION UNITS

Filter/regulators and lubricators

P1H - G1/8, G1/4

P1H



Combinations of filter-regulators and lubricators can be ordered as pre-assembled units

Complete control of filtration, regulation and lubrication at a single point

Micro-fog versions for most general purpose pneumatic applications

TECHNICAL DATA

Medium:

Compressed air only

Maximum inlet pressure:

10 bar

Ambient temperature:

-20°C ... +50°C

Consult our Technical Service for use below +2°C

Pressure range:

0,3 ... 8,6 bar

MATERIALS

Body: zinc alloy

Bowls: polycarbonate

Filter element: polypropylene

Elastomers: nitrile

Port size	kg	MODELS		ACCESSORIES	
		Auto drain	Manual drain	Neck mounting bracket	Gauge 0 ... 10 bar
G 1/8	0,35				
G 1/4	0,35				

OPTIONS SELECTOR

P★H-★ ★★-★ ★★ ★★

Integral wall bracket	Substitute	←	Threads	Substitute
Without (P1H Combination Unit)	1		PTF	A
With	T		ISO Rc taper	B
			ISO G parallel	G
Port size	Substitute	←	Lubricator reservoir	Substitute
1/8"	1		Transparent with drain	A
1/4"	2		Transparent without drain	Q
			Metal with drain	M
			Metal without drain	F
Filter/Regulator bowl	Outlet pressure Adjustment range*	Relief type	Gauge	Substitute
Transparent	0,3 ... 8,6 5 ... 125	Relieving	Without	01
Transparent	0,3 ... 8,6 5 ... 125	Non relieving	Without	02
Transparent	0,3 ... 3,5 5 ... 50	Relieving	Without	04
Transparent	0,3 ... 3,5 5 ... 50	Non relieving	Without	06
Metal	0,3 ... 8,6 5 ... 125	Relieving	Without	41
Metal	0,3 ... 8,6 5 ... 125	Non relieving	Without	42
Metal	0,3 ... 3,5 5 ... 50	Relieving	Without	44
Metal	0,3 ... 3,5 5 ... 50	Non relieving	Without	46
			Filter/Regulator element	Substitute
			5 µm	1
			40 µm	3
			Filter/Regulator drain	Substitute
			Automatic	A
			Manual	M

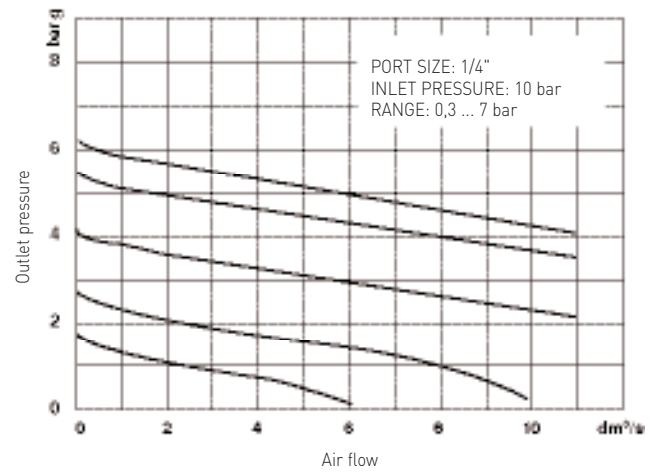
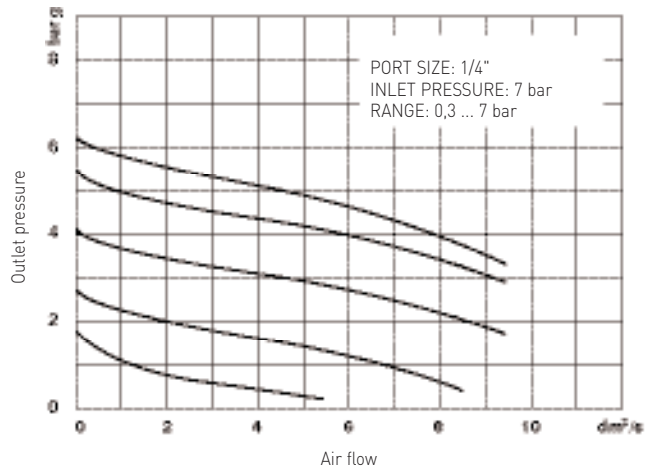
* Do not use these units to control pressures outside of the specified ranges.

For further information

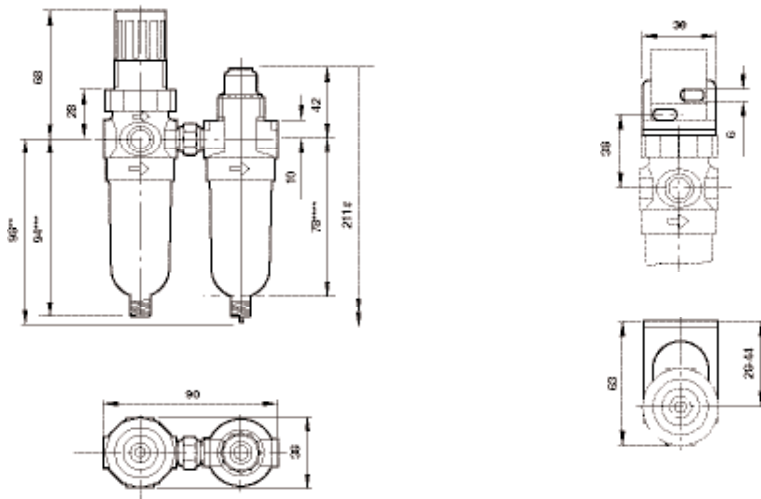


www.norgren.com/info/nec/en6-088

FLOW CHARACTERISTICS



DIMENSIONS



Minimum clearance to remove bowl

Manual drain *Automatic drain ****Without drain.

MINIATURE GENERAL PURPOSE FILTERS

F07 - G1/8, G1/4

F07



Direct ported filters with high water removal efficiency
Automatic drains supplied as standard
High flow miniature unit
Transparent bowl for 360° visibility

TECHNICAL DATA

Medium:

Compressed air only

Maximum inlet pressure:

10 bar

Ambient temperature:

-34°C ... +50°C

Consult our Technical Service for use below +2°C

MATERIALS

Bowl: polycarbonate to BS 6005, zinc alloy (optional)

Body: zinc alloy

Elastomers: neoprene & nitrile

Filter element: polypropylene

Port size	Flow* (dm³/s)	MODELS		ACCESSORIES Wall mounting bracket	SERVICE KIT Auto drain	Manual drain
		Auto drain	Manual drain			
 G 1/8 G 1/4	9			 5939-06 5939-06	 F07-KITA40 F07-KITA40	 F07-KITM40 F07-KITM40
	11,5	F07-100-A3TG F07-200-A3TG	F07-100-M3TG F07-200-M3TG			

*Typical flow with 6,3 bar inlet pressure and 0,5 bar pressure drop

OPTIONS SELECTOR

F07-★00-★ ★ ★ ★

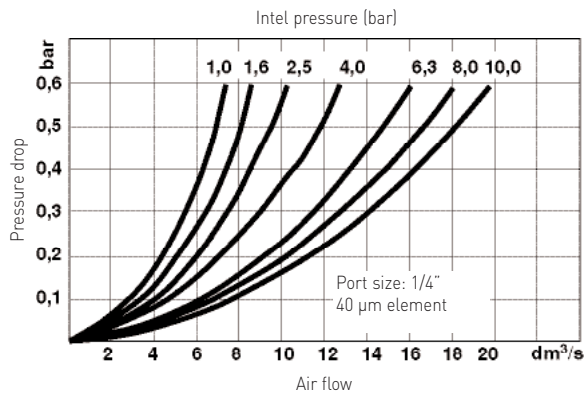
Port size	Substitute	Threads	Substitute
1/8"	1	PTF	A
1/4"	2	ISO Rc taper	B
		ISO G parallel	G
		Bowl	Substitute
		Transparent	T
		Metal	M
		Element	Substitute
		5 µm	1
		40µm	3
		Drain	Substitute
		Automatic	A
		Manual	M

For further information

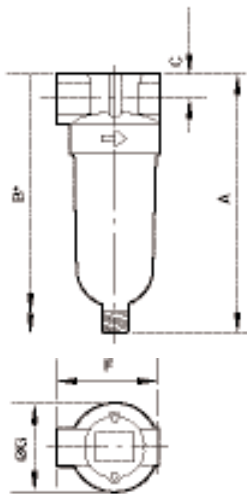


www.norgren.com/info/nec/en6-090

FLOW CHARACTERISTICS



DIMENSIONS

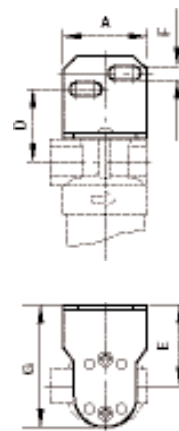


Automatic drain

* Minimum clearance required to remove bowl

Series	Port size	Drain	A	B	C	F	Ø G	kg
F07	G1/8, G1/4	Auto	104	154	10	42	37	0,13
		Manual	108	158	10	42	37	0,13

Bracket mounting



Series	Port size	A	D	E	F	G	H
F07	G1/8, G1/4	38	35	34	6	52	-

MINIATURE OIL REMOVAL FILTERS

F39 - G 1/8, G 1/4

F39



High efficiency coalescing oil-removal filters

Maximum remaining oil content
0,01 mg/m³, particle removal
to 0,01 µm

TECHNICAL DATA

Medium:

Compressed air only

Maximum inlet pressure:

10 bar (transparent bowls)

17 bar (metal bowls)

Remaining oil content:

0,01 mg/m³ maximum

Particle removal:

0,01 µm

Ambient temperature:

-34°C ... +50°C transparent bowls

-34°C ... +65°C metal bowls

Consult our Technical Service for use below +2°C

MATERIALS

Bowl: polycarbonate to BS 6005, zinc alloy (optional)

Body: zinc alloy

Elastomers: neoprene & nitrile

Main filter element: synthetic fibre & polyurethane foam

Port size	Flow* (dm ³ /s)	Bowl	kg	MODELS		ACCESSORIES	SERVICE KIT
				Auto drain	Manual drain		
G 1/8	2,8	Transparent	0,13	F39-100-A0TG	F39-100-M0TG	5939-06	4141-10
		Metal	0,23	F39-100-A0MG	F39-100-M0MG		
G 1/4	3	Transparent	0,13	F39-200-A0TG	F39-200-M0TG	5939-06	4141-10
		Metal	0,23	F39-200-A0MG	F39-200-M0MG		



Maximum flow with 6,3 bar inlet pressure to maintain stated oil removal performance.

For optimum coalescing element life a pre-filter should be fitted to remove coarse particles.

Manual drain oil removal filters are not recommended in service where plant maintenance is irregular. Consult our Technical Service for further details.

OPTIONS SELECTOR

F39-★00-★★★

Port size	Substitute	←	→	Threads	Substitute
1/8"	1			PTF	A
1/4"	2			ISO Rc taper	B
				ISO G parallel	G
Drain	Substitute	←	→	Bowl	Substitute
Automatic	A			Transparent	T
Manual	M			Metal	M
				Element	Substitute
				Coalescing	0

For further information



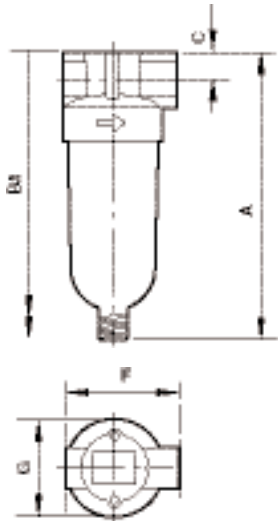
www.norgren.com/info/nec/en6-092

TYPICAL PERFORMANCE CHARACTERISTICS

Inlet pressure (bar)	Maximum flow dm ³ /s* F39
1	1,2
3	2,0
5	2,7
6,3	3,0
7	3,1
9	3,6

* Maximum flow to maintain stated oil removal performance

DIMENSIONS



Automatic drain

Minimum clearance required to remove bowl

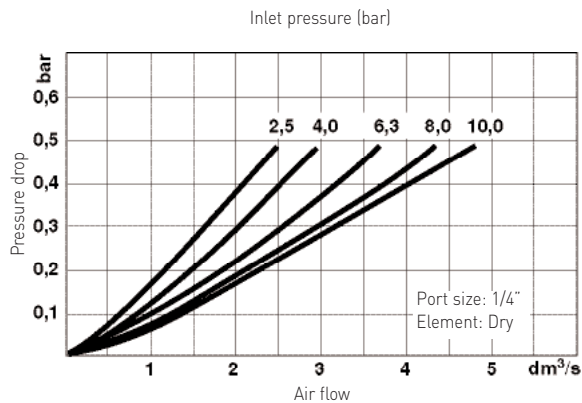
Series	Port size	Drain	A	B	C	F	Ø G	kg
F39	G1/8, G1/4	Auto	104	154	10	42	37	0,13
		Manual	108	158	10	42	37	0,13

Bracket mounting



Series	Port size	A	D	E	F	G
F39	G1/8, G1/4	38	35	34	6	52

FLOW CHARACTERISTICS



MINIATURE PRESSURE REGULATORS

R07 - G1/8, G1/4

R07



Miniature regulators for general purpose pneumatic applications
 Relieving operation as standard
 Non-rising adjusting knob with snap-action lock
 Options include non-relieving models and alternative spring ranges

TECHNICAL DATA

Medium:
Compressed air only
Maximum inlet pressure:
20 bar
Gauge ports:
Rc1/8
Ambient temperature:
-34°C ... +65°C
 Consult our Technical Service for use below +2°C
Pressure range:
0,3 ... 10 bar

MATERIALS

Body: zinc alloy
 Adjusting knob: acetal resin
 Elastomers: nitrile

		MODELS		ACCESSORIES		SERVICE KIT	
Port size	Flow* [dm³/s]	kg	Pressure 0,3 ... 7 bar	Pressure 0,5 ... 10 bar	Neck mounting bracket	Gauge 0 ... 10 bar	Panel mounting nut
	G 1/8	6,5	0,19	R07-100-RNKG			
	G 1/4	7	0,19	R07-200-RNKG			
				R07-105-RNMG	18-025-003	18-013-989	2962-89 (Plastic nut)
				R07-205-RNMG	18-025-003	18-013-989	2962-04 (Metal nut)
							R07-KITR
							R07-KITR

*Typical flow with 10 bar inlet pressure, 6,3 bar set pressure and 1 bar drop from set.

OPTIONS SELECTOR

R07-★0★-★ ★ ★ ★

Port Size	Substitute		Threads	Substitute
1/8"	1		PTF	A
1/4"	2		ISO Rc taper	B
			ISO G parallel	G
Option	Substitute		Outlet pressure adjustment ranges*	Substitute
Standard	0		0,1 ... 0,7 bar	A
H.P. unit, 10 bar (150 psig)	5**		0,3 ... 3,5 bar	E
			0,3 ... 7 bar	K
			0,3 ... 10 bar	M**
			Gauges	Substitute
			With	G
			Without	N
			Diaphragm	Substitute
			Relieving	R
			Non relieving	N

* Outlet pressure can be adjusted to pressures in excess of, and less than, those specified. Do not use these units to control pressures outside of the specified ranges.

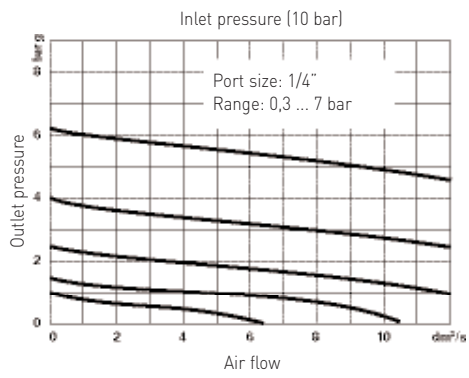
** When specifying 10 bar (150 psig) unit, eg. R07-205-RNMG, also note correct code at 6th digit.

For further information

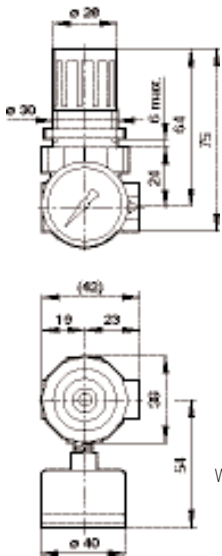


www.norgren.com/info/nec/en6-094

FLOW CHARACTERISTICS

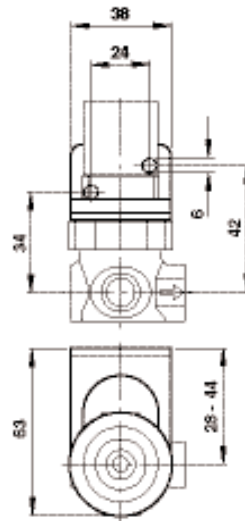


DIMENSIONS



Weight: 0,19 kg

Bracket mounting



MINIATURE FILTER/REGULATORS

B07 - G1/8, G1/4

B07



Filter-regulators for all general purpose pneumatic applications
 High performance design provides high flow with minimum pressure drop
 Non-rising adjusting knob has snap-action lock
 Transparent bowl for 360° visibility
 Metal bowl for high pressures
 Standard options include nonrelieving models, metal bowls and alternative pressure ranges

TECHNICAL DATA

Medium:
Compressed air only

Maximum inlet pressure:
10 bar

Gauge ports:
Rc1/8

Pressure range:
0.3...10 bar

Ambient temperature:
-34°C ... +50°C
Consult our Technical Service for use below +2°C

MATERIALS

Body: zinc
 Bonnet: acetal
 Valve: brass/nitrile
 Valve seat: acetal
 Bowl: transparent - polycarbonate; metal - zinc
 Element: sintered polypropylene
 Elastomers: nitrile

Port size	Flow* (dm³/s)	MODELS		ACCESSORIES			SERVICE KIT	
		Auto drain	Manual drain	Mounting bracket and nut	Gauge 0 ... 10 bar	Panel mounting nut	Auto drain	Manual drain
G 1/8	6,2							
G 1/4	6,5	B07-201-A3KG	B07-201-M3KG	18-025-003	18-013-989	2962-04 (Metal nut only)	B07-KITA40R	B07-KITM40R

*Typical flow with 10 bar inlet pressure, 6.3 bar set pressure and 1 bar drop

OPTIONS SELECTOR

B07-★ ★ ★ - ★ ★ ★ ★

Port size	Substitute
1/8"	1
1/4"	2

Bowl	Relief type	Gauge	Substitute
Transparent	Relieving	Without	01
Transparent	Non relieving	Without	03
Metal	Relieving	Without	33
Metal	Non relieving	Without	35
Metal	Relieving	Without	05**
Metal	Non relieving	Without	07**

Threads	Substitute
PTF	A
ISO Rc taper	B
ISO G parallel	G

Outlet Pressure Adjustment Ranges*	Substitute
0,1 ... 0.7 bar	A
0,3 ... 3.5 bar	E
0,3 ... 7 bar	K
0,3 ... 10 bar	M**

Element	Substitute
5 µm	1
40 µm	3

Drain	Substitute
Automatic	A
Manual	M

* Outlet pressure can be adjusted to pressures in excess of, and less than, those specified. Do not use these units to control pressures outside of the specified ranges.

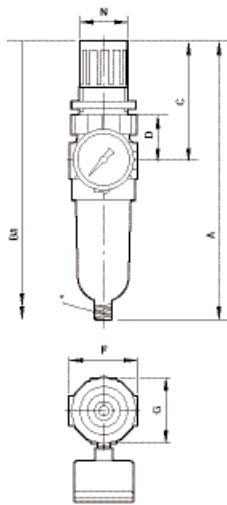
** When specifying 10 bar [150 psig] unit, eg. B07-205-A3MG, also note correct code at 5th and 6th digits.

For further information

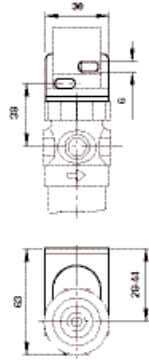


www.norgren.com/info/nec/en6-096

DIMENSIONS



Bracket mounting

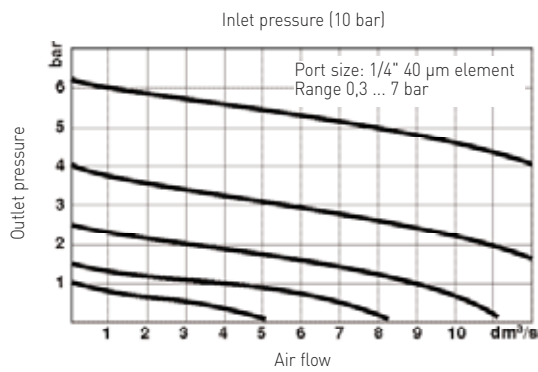


Automatic drain

Minimum clearance required to remove bowl
*1/8" BSP drain connection

Port size	Drain	A	B	C	D	F	G	Panel Ø	Panel depth	kg
G1/8, G1/4	Auto	160	210	68	28	41	38	30	0 ... 6	0,26
	Manual	164	214	68	28	41	38	30	0 ... 6	0,26

FLOW CHARACTERISTICS



MINIATURE LUBRICATORS

L07 - G1/8, G1/4

L07



Micro-fog lubricators provide a fine mist for most general purpose pneumatic applications
Transparent bowl for 360° visibility

TECHNICAL DATA

Medium:

Compressed air only

Maximum inlet pressure:

10 bar

Start point:

0,24 dm³/s

Minimum flow required for lubricator operation at 6,3 bar inlet pressure

Ambient temperature:

-20°C ... +50°C

Consult our Technical Service for use below +2°C

MATERIALS

Bowl: polycarbonate, zinc alloy (optional)

Body: zinc alloy

Sight-feed dome: transparent nylon

Elastomers: neoprene & nitrile

Port size	Flow* (dm ³ /s)	kg	MODELS	ACCESSORIES	SERVICE KIT
				Neck mounting bracket	
 G 1/8 G 1/4	5	0,13	 L07-100-MPQG L07-200-MPQG	 18-025-003 18-025-003	 L07-KIT L07-KIT
	6,7	0,13			

*Typical flow with 6.3 bar inlet pressure and 0.5 bar pressure drop

OPTIONS SELECTOR

L07-★00-MP★★

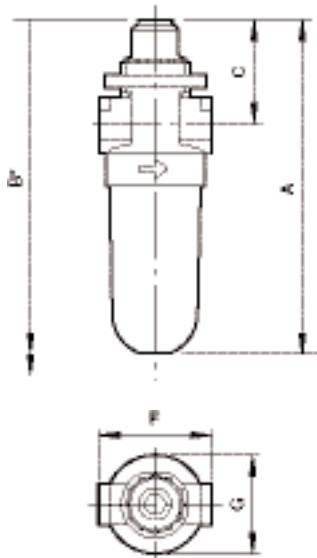
Port size	Substitute	Threads	Substitute
1/8"	1	PTF	A
1/4"	2	ISO Rc taper	B
		ISO G parallel	G
		Bowl and drain	Substitute
		Transparent without drain	Q
		Metal with drain	M

For further information



www.norgren.com/info/nec/en6-098

DIMENSIONS

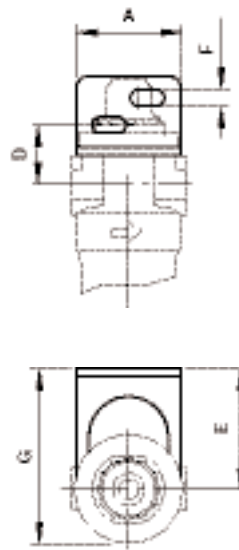


Without drain

Minimum clearance required to remove bowl

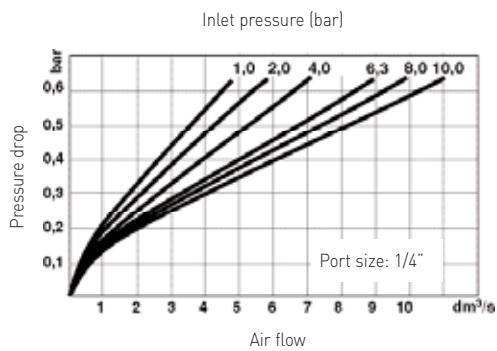
Series	Port size	A	B	C	F	Ø G	kg
L07	G1/8, G1/4	120	183	42	41	37	0,1

Bracket mounting



Series	Port size	A	D	E	F	G	H
L07	G1/8, G1/4	38	19	28 ... 44	6	63	-

FLOW CHARACTERISTICS



MINIATURE RELIEF VALVES

Diaphragm type

V07 - G1/8, G1/4

V07



Protect compressed air systems from over-pressurisation

Norgren pressure relief valves comply with category O(S.E.P.) and category 1 of the Pressure Equipment Directive 97/23/EC.

TECHNICAL DATA

Medium:

Compressed air only

Gauge ports:

Rc1/8

Relief port:

As inlet port

Pressure range:

0,3...9bar

Ambient temperature:

-34°C ... +65°C

Consult our Technical Service for use below +2°C

Relief pressure adjustment range:

0,1 ... 10 bar

MATERIALS

Body: zinc alloy

Adjusting knob & bonnet: acetal resin

Valve seat: polyphenylene

Elastomers: nitrile

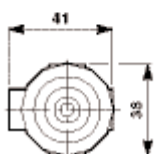
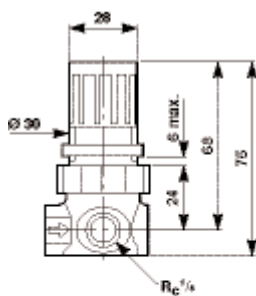
Port size	kg	MODELS	ACCESSORIES	SERVICE KIT
			Neck mounting bracket	Gauge 0 ... 10 bar
	G 1/8 0,13 G 1/4 0,13	 V07-100-NNLG V07-200-NNLG	 18-025-003 18-025-003	 18-013-989 18-013-989
				 V07-KIT V07-KIT

OPTIONS SELECTOR

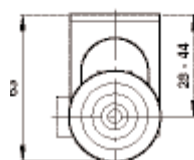
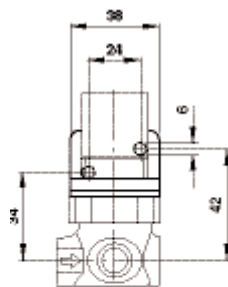
V07-★00-N★ ★★

Port Size	Substitute	←	Threads	Substitute
1/8"	1		PTF	A
1/4"	2		ISO Rc taper	B
			ISO G parallel	G
Gauges	Substitute	←	Relief pressure adjustment ranges	Substitute
With	G		0,1 ... 0,7 bar	A
Without	N		0,3 ... 3,5 bar	E
			0,3 ... 7 bar	K
			0,3 ... 10 bar	M

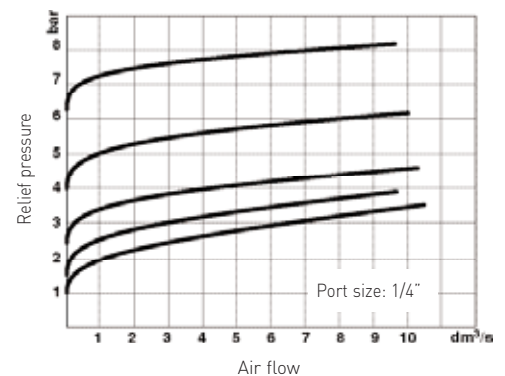
DIMENSIONS



Bracket kit (V07)



FLOW CHARACTERISTICS



For further information



www.norgren.com/info/nec/en6-100

MINIATURE MEMBRANE DRIERS

W07M - G1/4

W07



Removes water vapour from compressed air
 Provides dewpoint suppression up to 44°C below the ambient temperature, depending on air flow through the membrane
 Dewpoint suppression of 11°C below the ambient temperature is suitable for most industrial applications
 W07 available for in-line installation only
 Easy installation, no power required
 Maintenance free with proper pre-filtration
 Minimal pressure drop

TECHNICAL DATA

Medium:

Compressed air, pre-filtered to 0,01 µm and oil free

Maximum operating pressure:
10 bar

Ambient temperature:
-20°C ... 80°C*

*Air supply must be dry enough to avoid ice formation at temperatures below +2°C.

Required pre-filter:

General purpose filter (5 µm element) and an oil removal filter (0,01 µm particle removal) with equivalent pipe size and flow capacity equal to or greater than the membrane air dryer Selection programme available on request

MATERIALS

Body and end caps: Anodized aluminium

Membrane: polymeric materials

Port size	Nominal flow (dm ³ /s)*		Differential pressure (bar)	kg	MODELS
	Outlet	Inlet			
G1/4	1,00	1,06	0,028	0,39	W07M-2GN-NNA



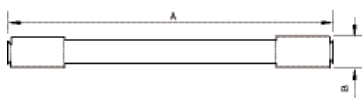
*7 bar inlet pressure, 38°C ambient temperature and dew point suppression of 11°C

OPTIONS SELECTOR

W07M-2★N-NN★

Threads	Substitute	Flow (dm ³ /s)	Substitute
PTF	A	1,00	A
ISO G parallel	G	2,40	B
		4,75	C
		9,50	D
		14,20	E

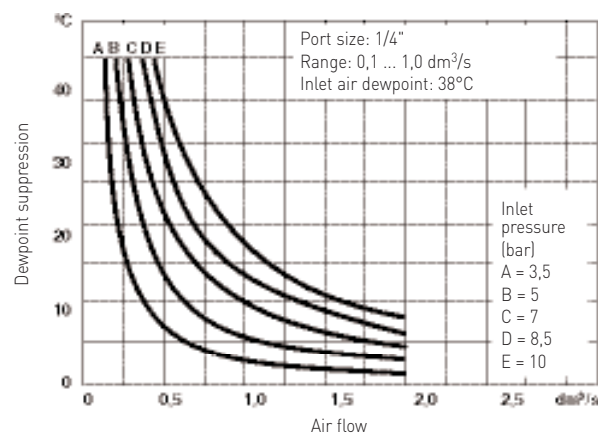
DIMENSIONS



	A	B
W07M-2GN-NNA	406	30

FLOW CHARACTERISTICS

W07M-2GN-NNA



For further information



www.norgren.com/info/nec/en6-101

MAINLINE GENERAL PURPOSE FILTERS

F17, F18 - G3/4 ... G2



F17



F18

Direct ported filters with high water removal efficiency
Automatic drains supplied as standard
Manual drain available
High flow with minimal pressure drop

TECHNICAL DATA

Medium:
Compressed air only
Maximum inlet pressure:
17 bar
Ambient temperature:
-20°C ... +80°C metal bowls
Consult our Technical Service for use below +2°C

MATERIALS

F17
Bowl & body: aluminium
Elastomers: neoprene & nitrile
Filter element: sintered plastic

F18
Bowl & body: aluminium
Elastomers: neoprene & nitrile
Filter element: sintered bronze

ALTERNATIVE MODELS

25 µm filter elements
Consult our Technical Service for details

F17

Port Size	Flow (dm ³ /s) #	Drain	Bowl	kg	MODELS	SERVICE KIT	Element
G3/4	183	Auto	Metal	1,74	F17-600-A3HD	F17-100A	5576-99
G3/4	183	Manual	Metal	1,76	F17-600-M3HD	F17-100M	5576-99
G1	236	Auto	Metal	1,74	F17-800-A3HD	F17-100A	5576-99
G1	236	Manual	Metal	1,76	F17-800-M3HD	F17-100M	5576-99

Models listed include ISO G threads and 40 µm element
Maximum flow with 6,3 bar inlet pressure and pressure drop of 0,5 bar
** Service kit includes 40 µm element
For G3/8 and G1/2 use Excelon or Olympian plus

F18

Port Size	Flow (dm ³ /s) #	Drain	Bowl	kg	MODELS	SERVICE KIT	Element
G1 1/2	765	Auto	Metal	7,11	F18-B00-A3DD	F18-100A	5882-98
G1 1/2	765	Manual	Metal	7,11	F18-B00-M3DD	F18-100M	5882-98
G2	765	Auto	Metal	7,35	F18-C00-A3DD	F18-100A	5882-98
G2	765	Manual	Metal	7,35	F18-C00-M3DD	F18-100M	5882-98

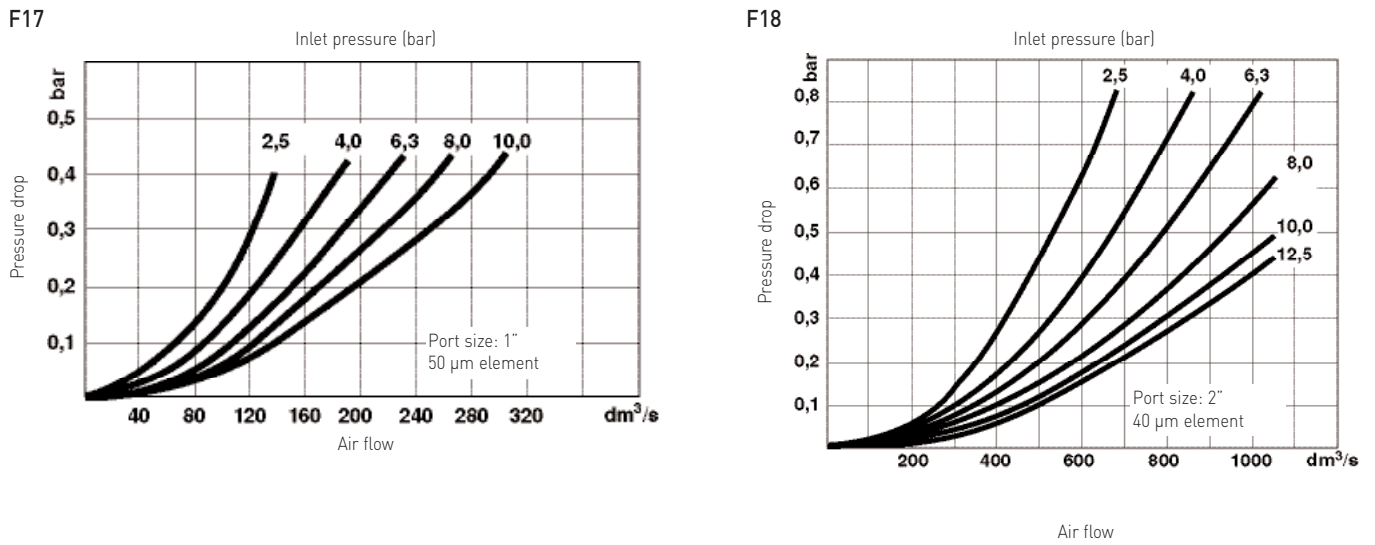
Models listed include ISO G threads and 40 µm element
Maximum flow with 6,3 bar inlet pressure and pressure drop of 0,5 bar
** Service kit includes 40 µm element
For G3/8 and G1/2 use Excelon or Olympian plus

For further information

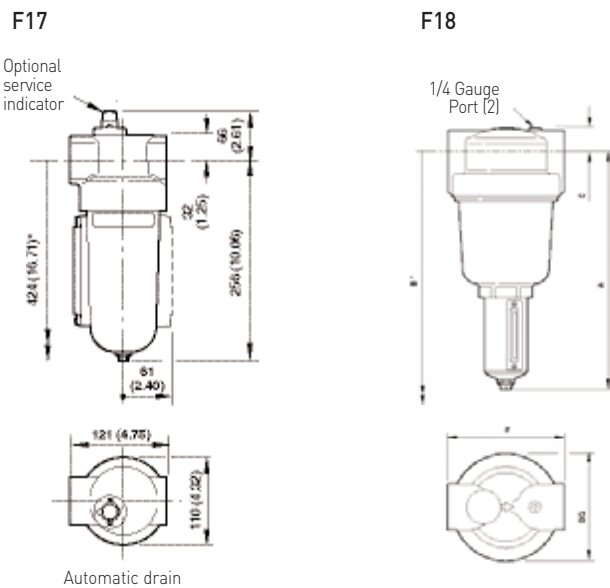


www.norgren.com/info/nec/en6-102

FLOW CHARACTERISTICS



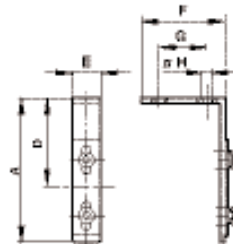
DIMENSIONS



* Minimum clearance required to remove bowl.

Series	Port size	Drain	A	B	C	F	Ø G	kg
F17	G3/4, G1	Auto	288	424	32	121	110	1,93
		Manual	236	372	32	121	110	1,88
F18	G1 1/2, G2	Auto	431	584	47	209	207	6,76

Bracket mountings F17



Part number: 6212-50

Series	Port size	A	D	E	F	G	H
F17	G3/4, G1	130	81	25	76	43	9

MAINLINE LUBRICATORS

L17 - G3/4, G1

L17



Micro-fog lubricators provide a fine mist for most general purpose pneumatic applications
Oil-fog lubricators for heavy duty lubrication

TECHNICAL DATA

Medium:

Compressed air only

Maximum inlet pressure:

17 bar

Start point:

3,8 dm³/s

Minimum flow required for lubricator operation at 6,3 bar inlet pressure

Ambient temperature:

-20°C ... +80°C

Consult our Technical Service for use below +2°C

MATERIALS

Bowl: aluminium alloy

Body: aluminium alloy

Elastomers: neoprene & nitrile

Sight feed dome: transparent nylon

ALTERNATIVE MODELS

High capacity reservoirs

Contact our Technical Service for details

MICRO-FOG LUBRICATOR

	Port Size	Flow (dm ³ /s) #	Bowl	Bowl capacity (litre)	kg	MODELS *	ACCESSORIES	SERVICE KIT
							Wall mounting bracket	
	G3/4	76	Metal	0,5 l	1,69	L17-600-MP9D		L17-100M
	G1	130	Metal	0,5 l	1,62	L17-800-MP9D	18-001-980	L17-100M

For G3/8 and G1/2 sizes, use Excelon or Olympian units

#Typical flow with 6,3 bar inlet pressure and 0,5 bar pressure drop

* Models listed in the order table must not be located downstream of frequently cycling directional control valves. Order the optional bi-directional oil-fog lubricator for use under such conditions

OIL-FOG LUBRICATORS

	Port Size	Flow (dm ³ /s) #	Bowl	Bowl capacity (litre)	kg	MODELS *	ACCESSORIES	SERVICE KIT
							Neck mounting bracket	
	G3/4	76	Metal	0,5 l	1,69	L17-600-OP9D		L17-100M
	G1	130	Metal	0,5 l	1,62	L17-800-OP9D	18-001-980	L17-100M

For G1/4, G3/8 and G1/2 sizes use Excelon or Olympian units

#Typical flow with 6,3 bar inlet pressure and 0,5 bar pressure drop

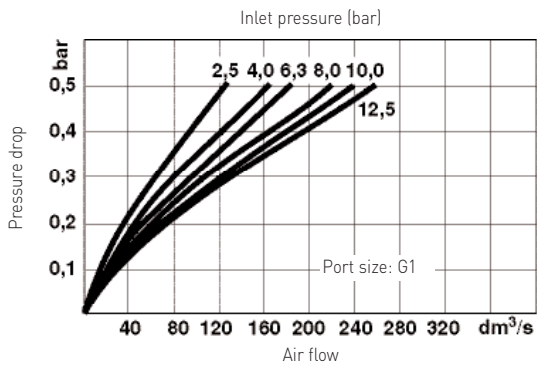
* Models listed in the order table must not be located downstream of frequently cycling directional control valves. Order the optional bi-directional oil-fog lubricator for use under such conditions

For further information

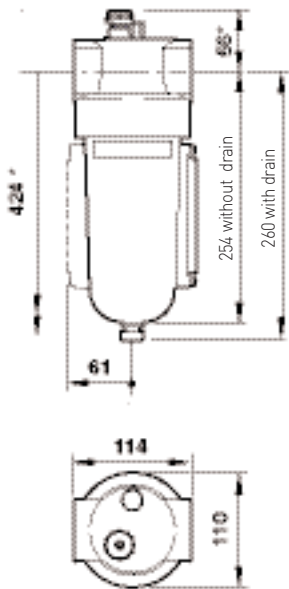


www.norgren.com/info/nec/en6-104

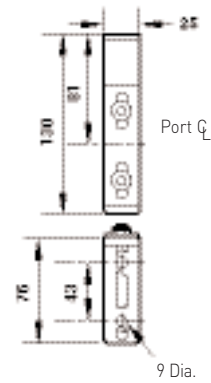
FLOW CHARACTERISTICS



DIMENSIONS



Bracket mountings



* Minimum clearance required to remove bowl.

MAINLINE OIL REMOVAL FILTERS

F47 - G1 1/2 ... G2

F47



High efficiency coalescing oil-removal filters
 Maximum remaining oil content 0,01 mg/m³, particle removal to 0,01 µm
 Automatic drains fitted as standard
 G1 1/2 and G2 models have mechanical service indicator as standard

Air quality output:
 Air quality to ISO 8573-1 : Class 1.7.2.
Remaining oil content:
 0,01 mg/m³ maximum
Particle removal:
 0,01 µm
Ambient temperature:
 -20°C ... +65°C metal bowls
 Consult our Technical Service for use below +2°C

TECHNICAL DATA

Medium:
 Compressed air only
Maximum inlet pressure:
 17 bar

MATERIALS

Body, intermediate body & bowl: aluminium
 Elastomers: neoprene & nitrile
 Filter element: synthetic fibre & polyurethane foam

		Port Size	Flow (dm ³ /s) #	Drain	Bowl	kg	MODELS	SERVICE KIT
	G1 1/2	118	Auto	Metal	7,04	F47-B01-A0DD	F47-00-100	
	G2	156	Auto	Metal	6,47	F47-C01-A0DD	F47-00-100	
	G2	284	Auto	Metal (long)	10,06	F47-C21-A0DD	F47-20-100	

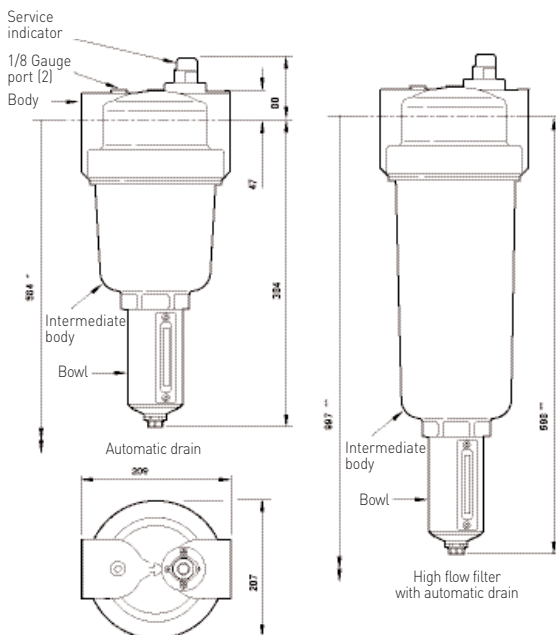
TYPICAL PERFORMANCE CHARACTERISTICS

Inlet pressure (bar)	Maximum flow dm ³ /s* F47	F47 (long)
1	50	100
3	100	170
5	40	260
6,3	156	284
7	170	325
9	215	390

* Maximum flow to maintain stated oil removal performance

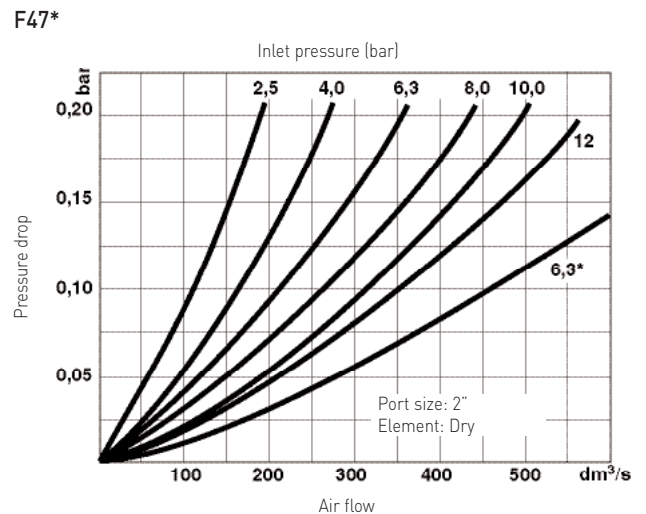
Maximum flow with 6,3 bar inlet pressure to maintain stated oil removal performance.
 For optimum coalescing element life a pre-filter should be fitted to remove coarse particles
 F47 includes visual indicator
 For G3/8, G1/2, G3/4, G1, G11/4 sizes use Excelon or Olympian units

DIMENSIONS



* Minimum clearance required to remove intermediate body and bowl.
 ** Minimum clearance required to remove intermediate body and bowl. Add 15 mm for 1/4 turn manual drain.

FLOW CHARACTERISTICS



* Note: above graph shows long bowl version

For further information



www.norgren.com/info/nec/en6-106

MAINLINE LUBRICATORS

10-826 - G2

10-826



Ported lubricators up to G2 port size

Oil-fog lubricators for heavy duty lubrication

TECHNICAL DATA

Medium:

Compressed air only

Maximum inlet pressure:

10 bar (10-826)

Start point:

140 dm³/s

Minimum flow required for lubricator operation at 6,3 bar inlet pressure

Ambient temperature:

-20°C ... +80°C

Consult our Technical Service for use below +2°C

MATERIALS

Bowl: aluminium alloy
(0,5 ltr or 1 ltr), steel reservoirs
(8 ltr & 20 ltr)

Body: aluminium alloy




Elastomers: neoprene & nitrile

Sight feed dome: transparent nylon

ALTERNATIVE MODELS

High capacity reservoirsC

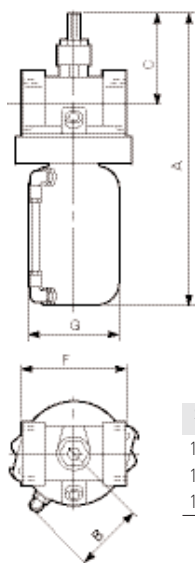
Contact our Technical Service for details

Port Size	Flow (dm ³ /s) #	Drain	Bowl capacity (litre)	kg	MODELS	SERVICE KIT	
							
	G2	675	Metal	1 l	4,60	10-826-997	10-026-100
	G2	675	Metal	8 l	15,00	10-826-999	10-026-100
	G2	675	Metal	20 l	32,20	10-826-998	10-026-100

#Typical flow with 6,3 bar inlet pressure and 0,5 bar pressure drop.

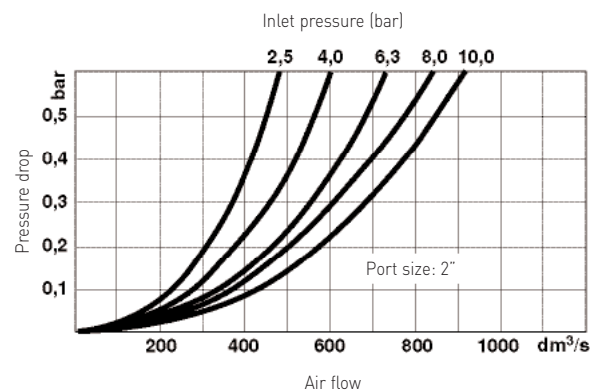
* Models listed in the order table must not be located downstream of frequently cycling directional control valves. Order the optional bi-directional oil-fog lubricator for use under such conditions.

DIMENSIONS



Series	A	B	C	F	Ø G
10-826-997	387	90	121	133	-
10-826-999	516	146	121	133	216
10-826-998	630	197	121	133	318

FLOW CHARACTERISTICS



For further information



www.norgren.com/info/nec/en6-107

PRESSURE CONTROL

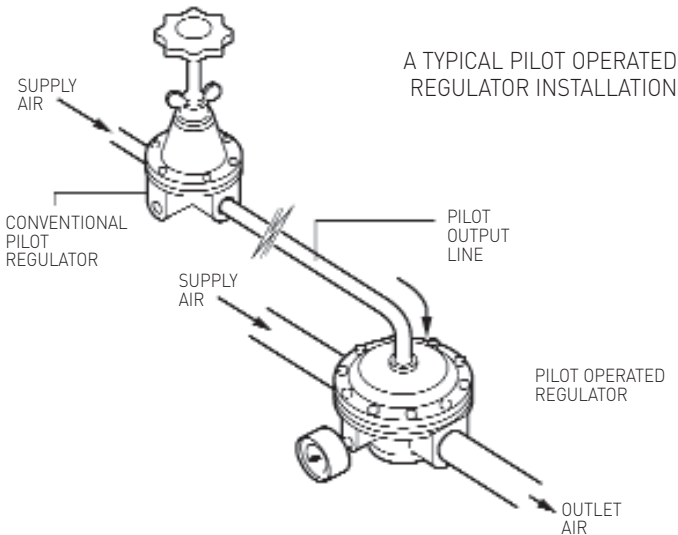
In order to use compressed air most effectively and efficiently it is necessary to reduce the pressure to precisely the level required for its application.

All pneumatic equipment has an optimum operating pressure. Using it at a higher pressure causes excessive wear, with no significant increase in output, whilst wasting the compressed air itself and the cost expended in generating it.

A pressure regulator can therefore generate cost savings greater than its purchase price in a short time period.

An important cost saving can be achieved by employing a regulator in conjunction with double acting cylinders where a reduced pressure can often be used advantageously on the non-working return stroke and cost savings as high as 30% can be achieved. This can be very important on multi-cylinder installations.

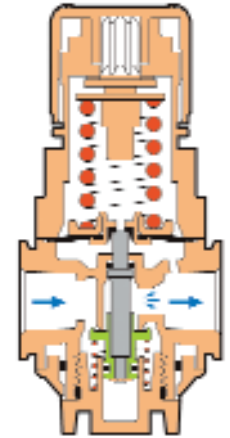
A point common to all pressure regulators is that in order to work constantly and repeatably within their design limits they will require a supply pressure at least 1 bar higher than the required outlet pressure. They will work with a lower differential but performance can be impaired.



REGULATORS

Although Norgren produces a vast array of regulators they can be broadly broken into 4 types:

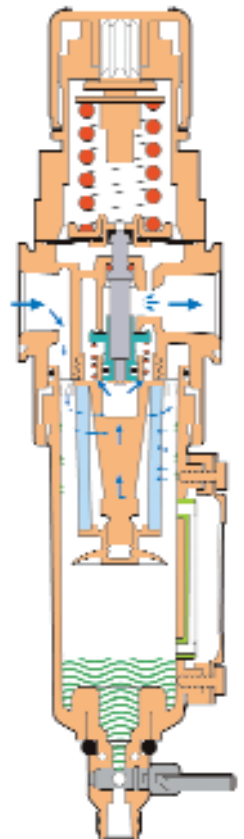
- General Purpose
- Pilot Operated
- Precision
- Special Purpose



GENERAL PURPOSE REGULATOR

FILTER/REGULATORS

Filter/regulators both clean the air to the application and control the pressure in one compact unit. For general purpose applications filter/regulators are usually lower cost than two separate units.



GENERAL PURPOSE FILTER/REGULATOR

Regulators



R30M
8, 10 mm
8 dm³/s
0 ... 7 bar
page 6-114



R92G
8 mm, G 1/4
22 dm³/s
0,3 ... 10 bar
page 6-020



R07
G1/8, G1/4
7 dm³/s
0,1 ... 10 bar
page 6-094



**R06, R43,
11-809**
G1/8 ... G1
5,7 dm³/s
0,14 ... 8 bar
page 6-126



11400, 11-204
G1/4
3,5 dm³/s
0,06 ... 20 bar
page 6-120



R27
G1/4
5 dm³/s
0,14 ... 8 bar
page 6-122



11-818
G1/4
5 dm³/s
0,02 ... 10 bar
page 6-118



R91G, R91W
G1/4
24 dm³/s
0,3 ... 8,6 bar
page 6-124



R72M, R74M
G1/4, G3/8
39 dm³/s
0,3 ... 10 bar
page 6-042



**R72G, R73G,
R74G**
G1/4 ... G3/4
105 dm³/s
0,3 ... 10 bar
page 6-040



R24
G1/4 ... G1 1/4
250 dm³/s
0,3 ... 17 bar
page 6-112



R64G, R68G
G1/4 ... G1 1/2
180 dm³/s
0,3 ... 17 bar
page 6-076



20AG
G1/2 ... G1
100 dm³/s
0,1 ... 116 bar
page 6-110



11-808
G3/4 ... G1
180 dm³/s
0,3 ... 6 bar
page 6-116



R18
G1 1/2, G2
950 dm³/s
0,7 ... 17 bar
page 6-116



R05
Stainless steel
1/4 NPTF
3 dm³/s
0,3 ... 8,6 bar
page 6-132



R38
Stainless steel
1/4 NPTF
8 dm³/s
0,04 ... 4 bar
page 6-137



R22
Stainless steel
1/2 NPTF
50 dm³/s
0,4 ... 10 bar
page 6-134

Filter/regulators



B92G
8 mm, G 1/4
19 dm³/s
0,3 ... 10 bar
page 6-022



B07
G1/8, G1/4
6,5 dm³/s
0,1 ... 10 bar
page 6-096



**B72G, B73G,
B74G**
G1/4 ... G3/4
100 dm³/s
0,3 ... 10 bar
page 6-044



B64G, B68G
G1/4 ... G1 1/2
240 dm³/s
0,3 ... 17 bar
page 6-072



B05
Stainless steel
1/4 NPTF
5 dm³/s
0,3 ... 8,6 bar
page 6-132



B38
Stainless steel
1/4, 1/2 NPTF
50 dm³/s
0,07 ... 9 bar
page 6-136

HIGH FLOW PRESSURE REGULATORS

20AG - G1/2 ... G1

20AG



Ported regulators for general purpose pneumatic applications
Relieving operation as standard
Options include non-relieving models and alternative spring ranges

ALTERNATIVE MODELS

Other pressure ranges
Adjusting screws
Non-relieving versions
Contact our Technical Service for details

TECHNICAL DATA

Medium:
Compressed air only
Maximum inlet pressure:
28 bar max.
Gauge ports:
G1/8
Ambient temperature:
-20°C ... +80°C
Consult our Technical Service for use below +2°C

MATERIALS

Body & bonnet: zinc alloy
Bottom plug: brass
Adjusting screw: steel plated
Elastomers: synthetic rubber

Port size	Flow (dm ³ /s)	Range (bar) ‡	kg	MODELS	ACCESSORIES	SERVICE KIT
					Bracket kit	Gauge 0...10 bar***
G1/2	60**	0,1 ... 3,5	1,40	20AG-X4G/PD100	18-001-005	18-013-013
G1/2	60**	0,2 ... 8	1,30	20AG-X4G/PH100	18-001-005	18-013-013
G1/2	60**	7 ... 16	1,29	20AG-X4G/PJ100	18-001-005	18-013-013
G3/4	80**	0,1 ... 3,5	2,75	20AG-X6G/PD100	18-001-029	18-013-013
G3/4	80**	0,2 ... 8	2,85	20AG-X6G/PH100	18-001-029	18-013-013
G1	100**	0,1 ... 3,5	2,44	20AG-X8G/PD100	18-001-029	18-013-013
G1	100**	0,2 ... 8	2,90	20AG-X8G/PH100	18-001-029	18-013-013



Models listed include ISO G threads and relieving diaphragm

** Maximum flow with 7 bar inlet pressure, 4 bar outlet pressure and a pressure drop of 1 bar

*** Other pressure ranges available

‡ Can be adjusted to zero bar outlet pressure, and, generally, to pressures in excess of those specified

For non-relieving models delete 'X' from model no. e.g. 20AG-4G/PH100

For G3/8 size use Excelon or Olympian units

OTHER PRESSURE REGULATORS ARE AVAILABLE TO SUIT YOUR APPLICATION:

We can also supply pressure regulators to suit your specific requirements,* for example:

- Pre-set regulators
- Units degreased for oxygen use
- Units with minimum and/or maximum pressure settings
- Units for low or high temperature applications

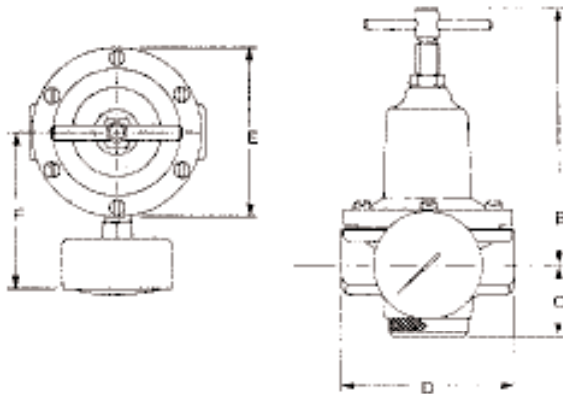
*Subject to quantity required, consult our Technical Service.

For further information



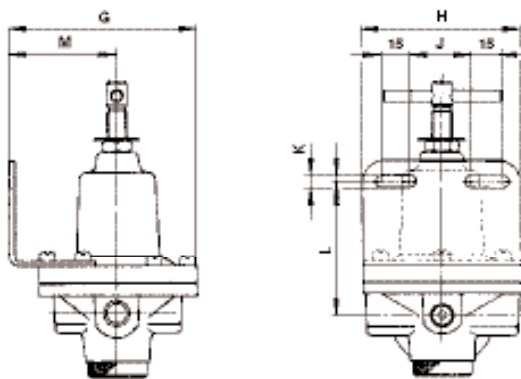
www.norgren.com/info/nec/en6-110

DIMENSIONS



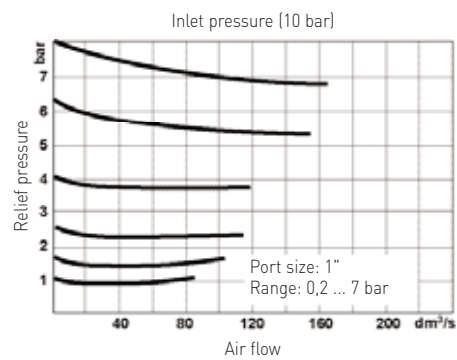
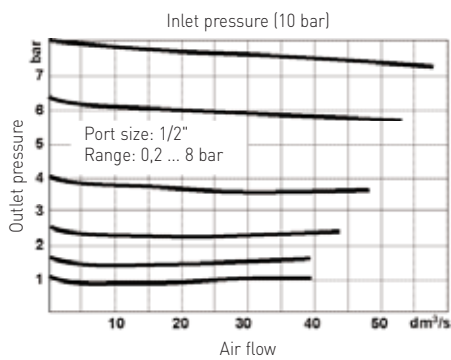
Series	B (max.)	C	D	E	F
20AG-X4G	125	35	85	85	125
20AG-X6G	185	40	115	125	160
20AG-X8G	185	40	115	125	160

Bracket mounting



Series	G	H	J	K	L	M
20AG-X4G	100	85	30	7	70	55
20AG-X6G	140	125	65	8	80	75
20AG-X8G	140	125	65	8	80	75

FLOW CHARACTERISTICS



HIGH FLOW PRESSURE REGULATORS

R24 - G1/4 ... G1 1/4

R24



Exceptionally high flow and relief flow characteristics
 Easy to adjust even at high output pressures
 Balanced valve minimises effect of variations in inlet pressure on outlet pressure
 Relieving feature allows outlet pressure reduction even when the system is dead ended
 Full flow gauge ports
 Panel mounting facility
 Pilot operated version available

TECHNICAL DATA

Medium:
 Compressed air
Maximum inlet pressure:
 20 bar *
 * Additional inlet pressure options available
Gauge ports:
 G1/4 with 1/4 main ports
 G3/8 with 3/8 main ports
 G1/2 with all others ports
Pressure range :
 0,3 ... 17 bar

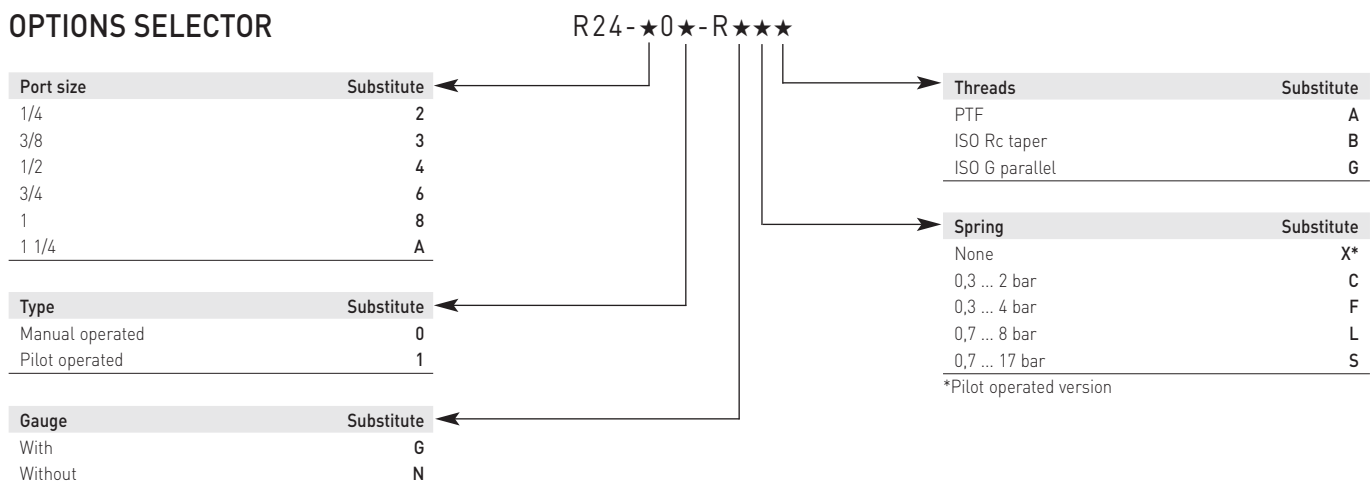
Ambient temperature:
 0°C ... +80°C
 Consult our Technical Service for use below +2°C

MATERIALS
 Body & bonnet: zinc alloy
 Bottom plug & adjusting knob (manual): acetal resin
 Main valve: brass/synthetic rubber
 Elastomers: synthetic rubber

Port size	MODELS	ACCESSORIES			SERVICE KIT
		Neck mounting bracket	Gauge 0 ... 10 bar	Concentric reducing adaptor for gauge ports**	
G1/4	R24-200-RNLG	18-999-412	18-013-013	150232818	5292-52
G3/8	R24-300-RNLG	18-999-412	18-013-013	150233818	5292-52
G1/2	R24-400-RNLG	18-999-412	18-013-013	150234818	5292-52
G3/4	R24-600-RNLG	18-999-412	18-013-013	150234818	5292-53
G1	R24-800-RNLG	18-999-412	18-013-013	150234818	5292-53
G1 1/4	R24-A00-RNLG	18-999-412	18-013-013	150234818	5292-53

**Reducer to fit gauge into R1/8 gauge port

OPTIONS SELECTOR



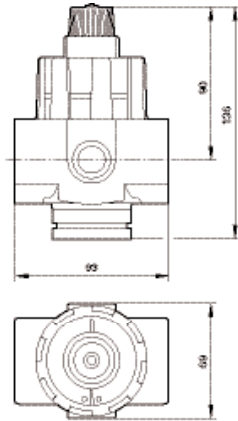
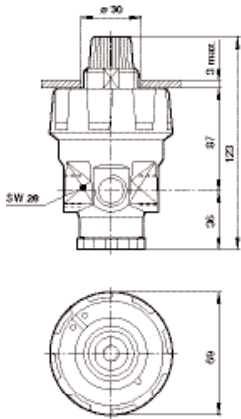
For further information



www.norgren.com/info/nec/en6-112

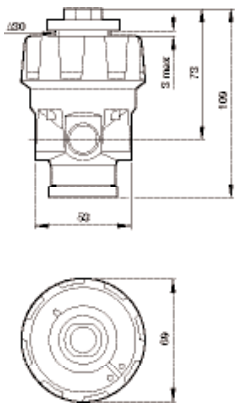
DIMENSIONS

R24 (G1/4 ... G1/2) Manually operated R24 (G3/4 ... G1 1/4) Manually operated



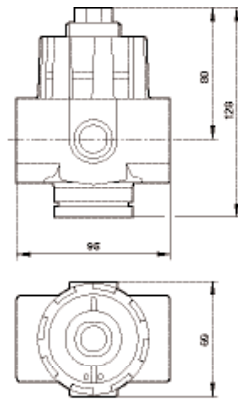
Gauge ports:
 G1/4 (Units with G1/4 main ports)
 G3/8 (Units with G3/8 main ports)
 G1/2 (Units with G1/2 main ports)
 Rc1/2 (Units with G3/4 ... G1 1/4 main ports)

R24 (G1/4 ... G1/2) Pilot operated

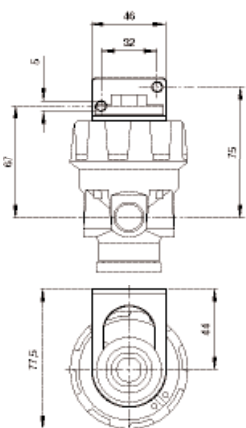


Pilot port: G1/4

R24 (G3/4 ... G1 1/4) Pilot operated

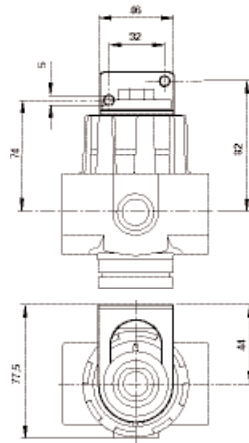


Bracket mounting G1/4, G3/8, G1/2



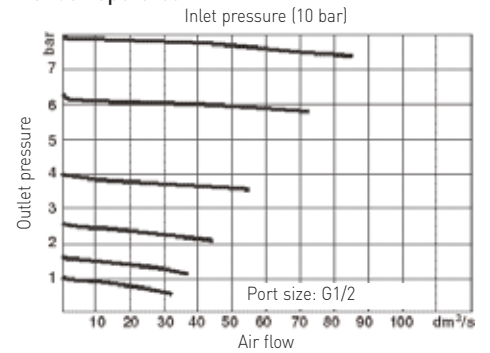
Panel mounting hole diameter: 32 mm
 Panel thickness: 0 ... 3 mm

Bracket mounting G3/4, G1, G1 1/4

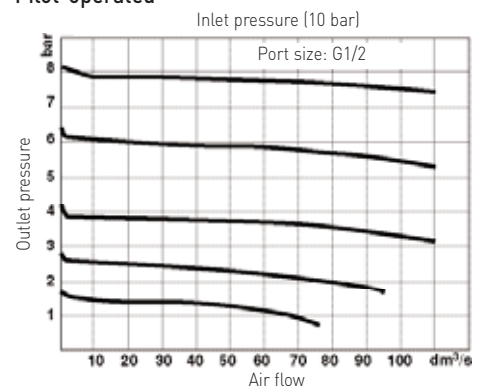


FLOW CHARACTERISTICS

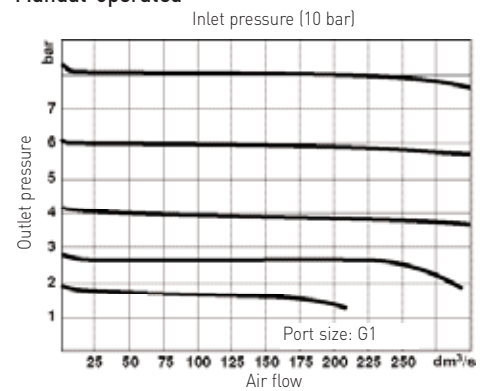
Manual-operated



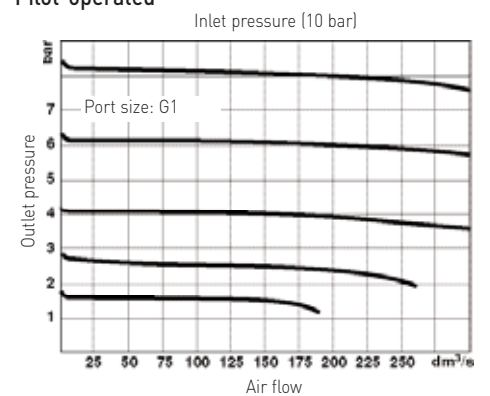
Pilot-operated



Manual-operated



Pilot-operated



MINIATURE MANIFOLD PLASTIC PRESSURE REGULATOR

For water and compressed air use

R30M - Ø 8, 10 mm

R30M



Push-in fittings in ports. No need for threaded connectors and fittings

Push to lock adjusting knob with tamper resistant accessory

Integral base mounting

Water or compressed air only

TECHNICAL DATA

Fluid:

Compressed air or water

Maximum inlet pressure:

10 bar (150 psig)

Operating temperature*:

-5°C ... +40°C

* Air supply must be dry enough to avoid ice formation at temperatures below 2°C

Approximate flow at 10 bar inlet pressure, 6,3 bar set pressure and a droop of 1 bar from set:

8 dm³/s

Gauge port:

(can be used as additional outlet port)

10 mm o/d tube with 10 mm o/d tube main ports

8 mm o/d tube with 8 mm o/d tube main ports

Two inlet ports:

10 mm o/d tube or 8 mm o/d tube

One outlet port:

10 mm o/d tube with 10 mm o/d tube inlet

8 mm o/d tube with 8 mm o/d tube inlet

MATERIALS

Body: Acetal

Bonnet: Acetal

Valve: Brass/nitrile

Elastomers: Nitrile

Valve seat: Acetal

Port Size	Flow* (dm ³ /s)	Range (bar)	kg	MODELS	ACCESSORIES	SERVICE KIT
					Gauge Ø 50 mm 0...10 bar	
8 mm Ø	8	0 ... 4,8	0,10	R30M-8DK-RGN**	18-013-027	3407-02
8 mm Ø	8	0,3 ... 7	0,10	R30M-8DK-RKN**	18-013-027	3407-02
10 mm Ø	8	0 ... 4,8	0,10	R30M-ADK-RGN**	18-013-027	3407-02
10 mm Ø	8	0,3 ... 7	0,10	R30M-ADK-RKN**	18-013-027	3407-02

* Typical flow with 10 bar inlet pressure, 6,3 bar set pressure and a 1 bar droop from set.

** Non-relieving models also available for water (relieving models listed)

OPTIONS SELECTOR

R30M-★DK-★★★

Port size 8 mm 10 mm	Substitute 8 A	Gauge With Without	Substitute G N
Push-In Form Metric	Substitute D	Outlet Pressure Adjustment Ranges* 0 ... 4,8 bar 0,3 ... 7 bar	Substitute G K
Adjustment Knob	Substitute K	Type Relieving Non relieving	Substitute R N

* Outlet pressure can be adjusted to pressures in excess of, and less than, those specified. Do not use these units to control pressures outside of the specified ranges.

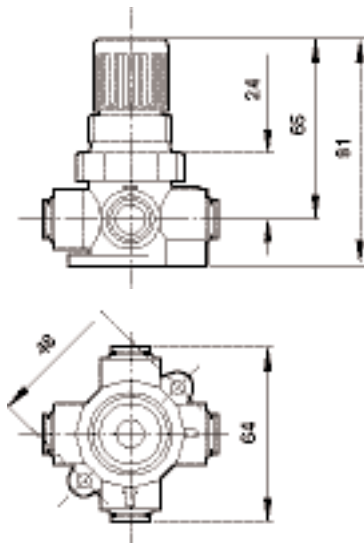
For further information



www.norgren.com/info/nec/en6-114

DIMENSIONS

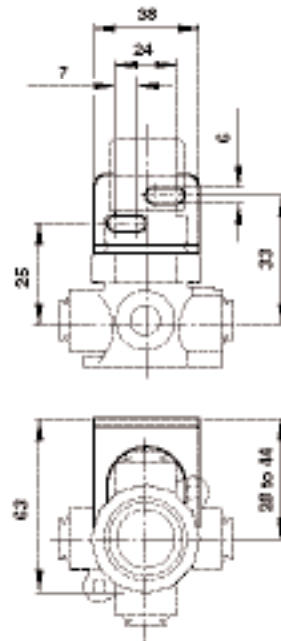
Panel mounting hole diameter: 30 mm
 Panel thickness: 0 ... 6 mm



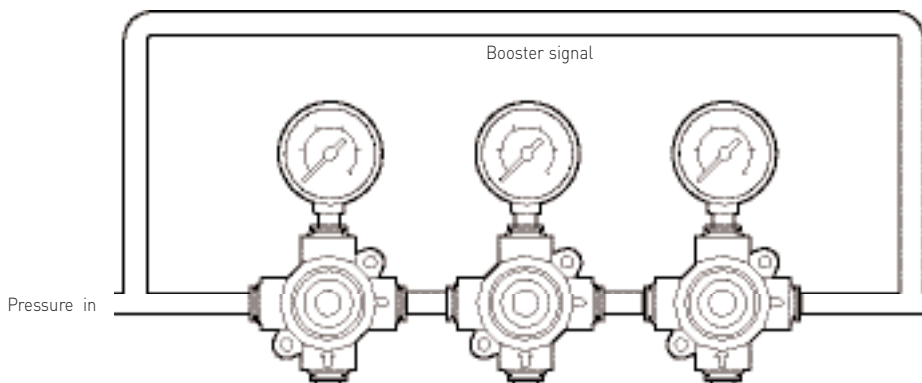
Bracket mounting

Wall Bracket (18-025-003)

Use 3 mm screws to mount bracket to wall

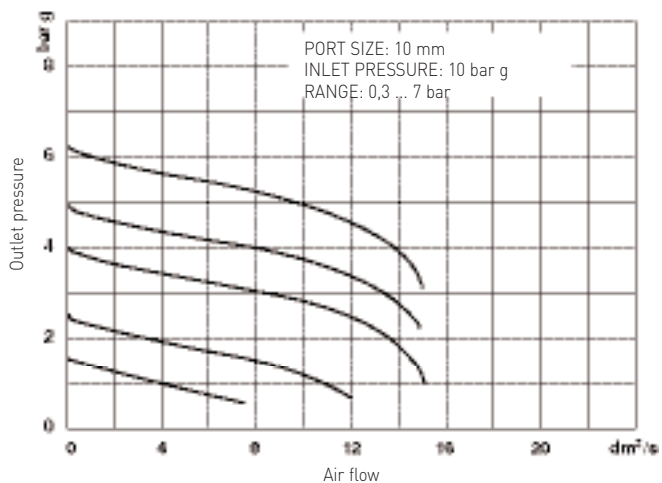


TYPICAL MANIFOLD REGULATOR APPLICATION



FLOW CHARACTERISTICS

Flow characteristics (air)



HIGH FLOW PILOT OPERATED PRESSURE REGULATORS

11-808 - G3/4 ... G1

R18 - G1 1/2 ... G2

11-808



R18

Can be installed at any point in the compressed air system without regard to accessibility – pilot regulator can be installed in the most convenient location

Accurate pressure regulation over a wide range of flows

Can be used with conventional or feedback pilot regulator

Gauge ports:

Rc1/8 (11-808)

G1/4 (R18)

Pilot port:

Rc1/4 (11-808)

G1/4 (R18)

Exhaust ports:

G3/4" (R18)

TECHNICAL DATA

Medium:

Compressed air only

Maximum inlet pressure:

20 bar (11-808)

31 bar (R18)

Ambient temperature:

-20°C ... +80°C

Consult our Technical Service for use below +2°C

MATERIALS

11-808

Body: zinc alloy

Bonnet: aluminium alloy


Elastomers: nitrile

R-18

Body & bonnet: aluminium alloy

Elastomers: nitrile

11-808

Port size	Flow* (dm³/s)	MODELS	ACCESSORIES		SERVICE KIT
			Wall mounting bracket	Gauge 0 ... 25 bar	
 G3/4 G1	180#	 11-808-960	 18-001-027	 18-013-014	 11-908-100
	180#	11-808-980	18-001-027	18-013-014	11-908-100

* Typical flow (feedback pilot) with 8 bar inlet pressure, 6,3 bar outlet pressure and minimal pressure drop.

R18

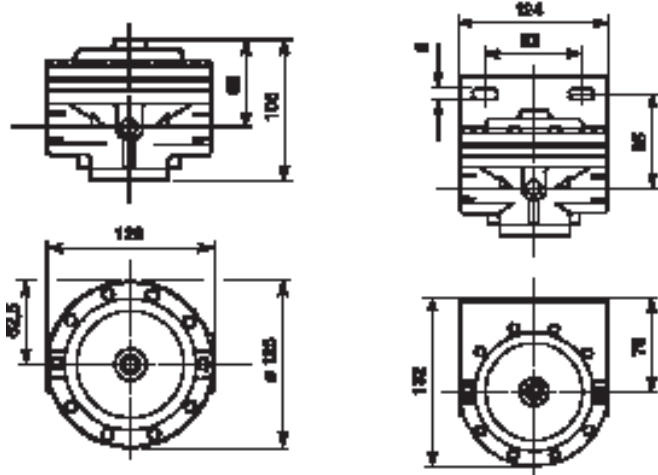
Port size	Flow* (dm³/s)	MODELS	ACCESSORIES			SERVICE KIT
			Gauge 0 ... 25 bar	Silencer	Concentric reducing adaptor for gauge ports**	
 G1 1/2 G2	950#	 R18-B00-RNXD	 18-013-014	 MB0006B	 150232818	 R18-100R
	950#	R18-C00-RNXD	18-013-014	MB0006B	150232818	R18-100R

Typical flow (feedback pilot) with 8 bar inlet pressure, 6,3 bar outlet pressure and minimal pressure drop.

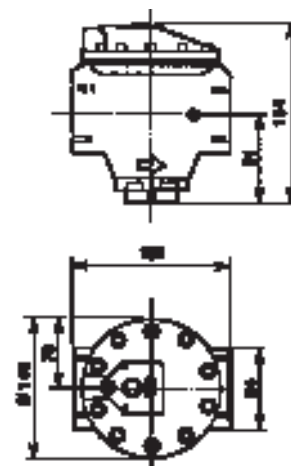
**Reducer to fit gauge into R18 gauge port.

DIMENSIONS

11-808



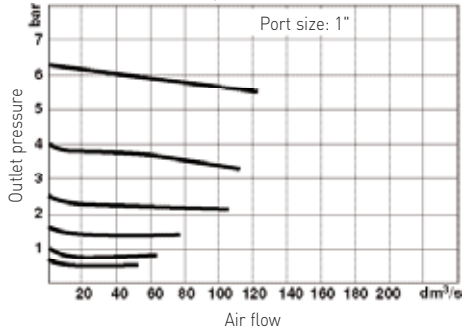
R-18



FLOW CHARACTERISTICS

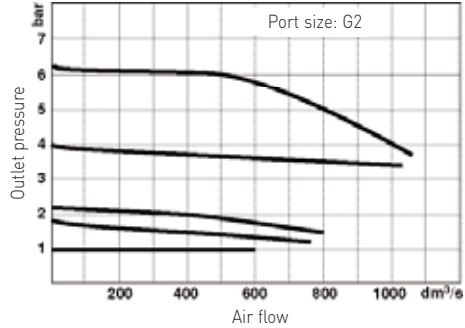
11-808 with conventional pilot

Inlet pressure (8 bar)



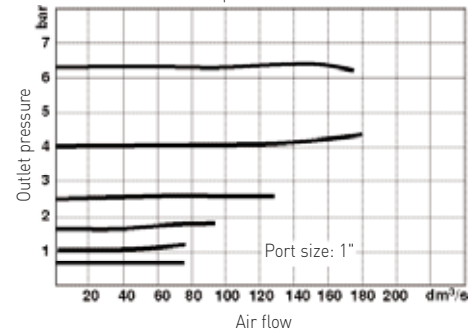
R18, with conventional pilot

Inlet pressure (6,9 bar)



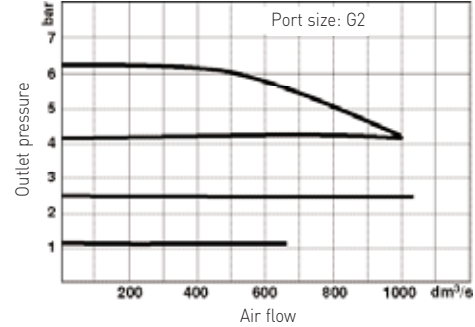
11-808 feedback pilot

Inlet pressure (8 bar)



R18 feedback pilot

Inlet pressure (6,9 bar)



PRECISION PRESSURE REGULATOR

11-818 - G1/4

11-818



Compact, high precision regulators for air gauging, laboratory use and precise pilot control

TECHNICAL DATA

Medium:

Compressed air, oil free, filtered to 5 micron

Maximum inlet pressure:

10 bar (11-818-100)
14 bar (11-818-110)
8 bar (11-818-999)

Ambient temperature:

0°C ... +70°C

Consult our Technical Service for use below +2°C


MATERIALS

Body & bonnet: zinc alloy

Adjusting knob: acetal resin

Elastomers: synthetic rubber

COMPACT, HIGH PRECISION REGULATORS FOR AIR GAUGING, LABORATORY USE AND PRECISE PILOT CONTROL*

	Port size	Accuracy (bar)**	Range (bar)	Operation	kg	MODELS	SERVICE KIT
	G1/4	0,01	0,02 ... 0,5	Relieving only	0,59	 11-818-999	2787-96
	G1/4	0,03	0,07 ... 4	Relieving only	0,59	11-818-100	2787-98
	G1/4	0,05	0,4 ... 10	Relieving only	0,59	11-818-110	2787-97

* Not recommended for dead end use, consult our Technical Service for details

** Typical mid-range variance from set pressure with 7 bar inlet at 2 dm³/s

A Norgren oil removal filter should be fitted upstream of these units.

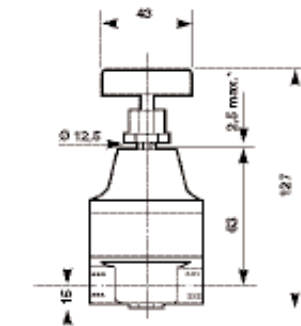
Can be adjusted to zero bar outlet pressure and generally to pressures in excess of those specified

For further information

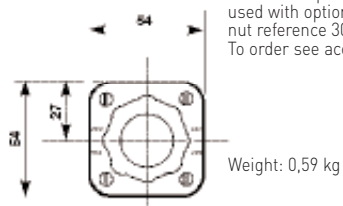


www.norgren.com/info/nec/en6-118

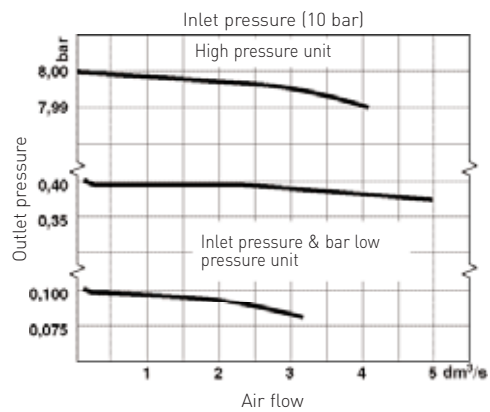
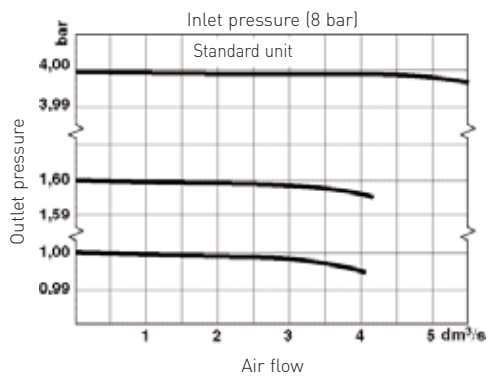
DIMENSIONS



*Note: \varnothing 17,5 and up to 6 mm max. panel thickness when used with optional panel mounting nut reference 3081-01.
To order see accessories opposite.



FLOW CHARACTERISTICS



PILOT PRESSURE REGULATORS

For use with pilot operated regulators and relief valves

11400/11-204/20A - G1/4

11-400/11-204



Can be installed at any point in the compressed air system without regard to accessibility – pilot regulator can be installed in the most convenient location

Accurate pressure regulation over a wide range of flows

Conventional and feedback versions available

Feedback pilot regulator senses downstream pressure and automatically adjusts pilot operated regulator outlet pressure

TECHNICAL DATA

Medium:

Compressed air only

Maximum inlet pressure:

20 bar (11-204)

25 bar (11400)

Ambient temperature:

-20°C ... +80°C

Consult our Technical Service for use below +2°C

Gauge ports:

G1/8 (11400)

MATERIALS

11400

Body & bonnet: zinc alloy

Adjusting knob: acetal resin

Elastomers: nitrile

11-204

Body & bonnet: zinc alloy

Adjusting knob: acetal resin

Elastomers: synthetic rubber

CONVENTIONAL PILOT REGULATORS

Port size	Range (bar)	MODELS	ACCESSORIES	SERVICE KIT	
			Gauge *		
	G 1/4	0,06...2			
	G 1/4	0,06...4			11400-2G/PC100
	G 1/4	0,16...7			11400-2G/PE100
	G 1/4	7...20			11400-2G/PG100
		20AL-X2G/PK100	18-013-013	11400-100	
			18-013-013	11400-100	
			18-013-013	11400-100	
			18-013-014	11400-100	

* For setting of remotely positioned regulator

FEEDBACK PILOT REGULATORS

Port size	Range (bar)	MODELS	ACCESSORIES	SERVICE KIT
			Wall mounting bracket	Gauge *
	G 1/4	0,16 ... 7		
	G 1/4	4 ... 16		
		11-204-006	18-001-005	18-013-013
			18-001-005	18-013-014
				11-204-100
				11-204-100

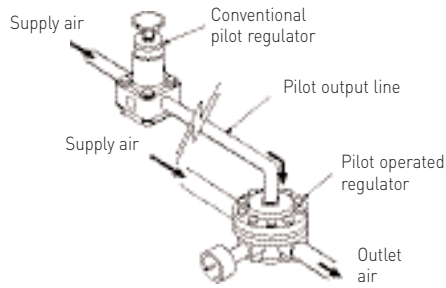
* For setting of remotely positioned regulator

For further information

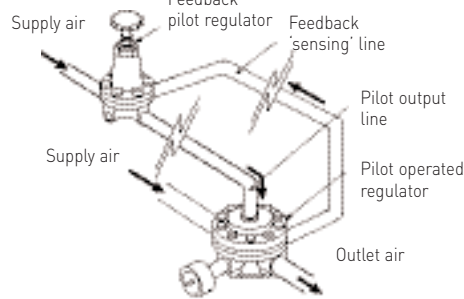


www.norgren.com/info/nec/en6-120

Conventional pilot



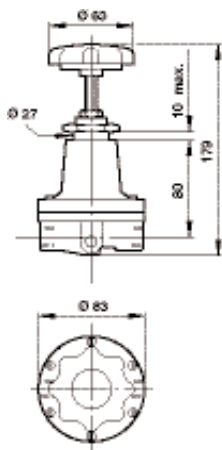
Feedback pilot



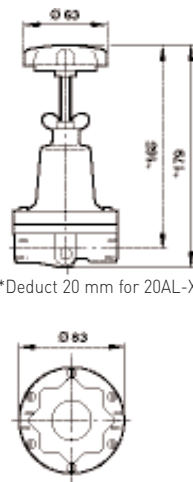
Feedback pilot regulators give more sensitive control and quicker reaction to downstream pressure changes. Feedback 'sensing' line to be kept to minimum length (<200mm).

DIMENSIONS

11-204



11400, 20AL-X

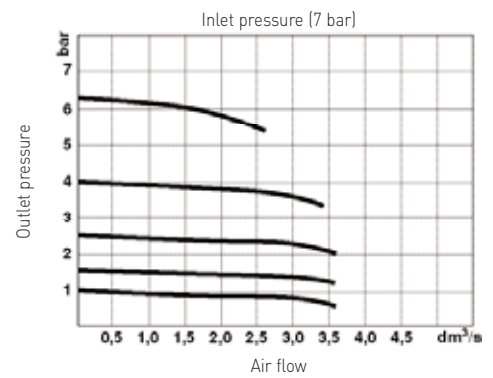


*Deduct 20 mm for 20AL-X Series

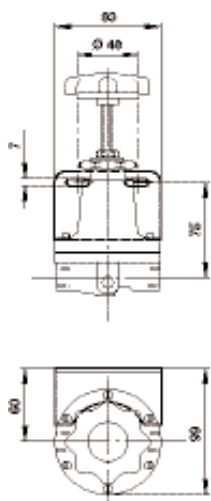
Weight: 1,00 kg (11400)
1,05kg (20AL-X)

FLOW CHARACTERISTICS

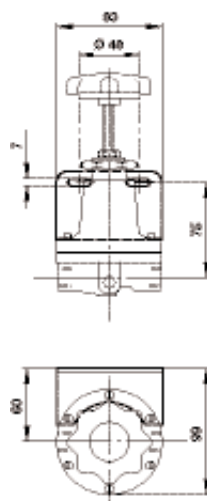
11400



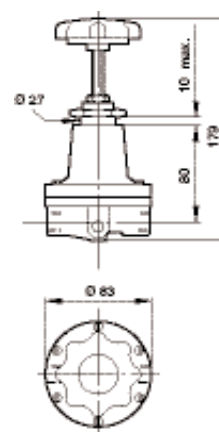
Bracket mounting (11-204)



Bracket mounting (11400), (20AL-X)



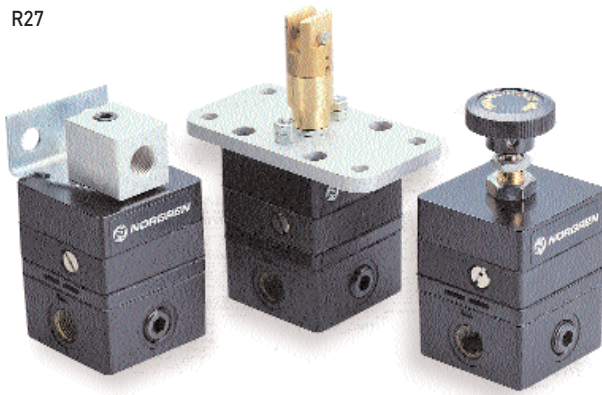
Panel mounting (11400), (20AL-X)



PRECISION PRESSURE REGULATORS

R27 - G1/4

R27



High-precision manual pressure regulator

Highly sensitive and accurate

Perfect for dead-end applications

Excellent long term stability

Handwheel, lever, plunger or pilot operated

Note: The R27 is a high precision manual pressure regulator which regulates pressure by use of a control chamber, instead of a spring, so increasing its sensitivity to any variations and eliminating any spring hysteresis.

The R27 is perfect for dead-end applications.

TECHNICAL DATA

Medium:

Dry, oil free air filtered to 5 µm

Maximum inlet pressure:

10 bar

Ambient temperature:

-20°C ... +70°C

Consult our Technical Service for use below +2°C

Gauge ports:

G1/4

Flow capacity:

Up to 5 dm³/s

Sensitivity:

Better than 0,3 mbar

Hysteresis & repeatability:

Less than 0,005% setting at midrange


MATERIALS

Body: passivated zinc diecasting

Internal springs: mild steel

Elastomers: reinforced nylon

Port & base screws: nickel plated brass

Description	Pressure range (bar)	Operation	Air consumption l/m	kg	MODELS
Standard regulator	0,14 ... 2,0	Handwheel 2,5 ... 3 turns	0,3	0,72	 R27-200-RNCG R27-200-RNFG R27-200-RNLG R27-230-RNCG R27-230-RNFG R27-230-RNLG R27-232-RNFG R27-232-RNLG R27-234-RNCG R27-236-RNXG
Standard regulator	0,14 ... 4,0	Handwheel 2,5 ... 3 turns	0,6	0,72	
Standard regulator	0,14 ... 8,0	Handwheel 2,5 ... 3 turns	1,2	0,72	
Lever operated regulator	0,14 ... 2,0	Lever control 125° rotation	0,3	0,72	
Lever operated regulator	0,14 ... 4,0	Lever control 125° rotation	0,6	0,72	
Lever operated regulator	0,14 ... 8,0	Lever control 125° rotation	1,2	0,72	
Plunger operated regulator	0,14 ... 4,0	Plunger travel 1,65 mm	0,6	0,72	
Plunger operated regulator	0,14 ... 8,0	Plunger travel 1,65 mm	1,2	0,72	
Pilot operated relay	0,14 ... 8,0	Pilot pressure signal	1,2	0,72	
Pilot operated relay with manual bias	0,14 ... 8,0 *	Pilot pressure signal, handwheel controlled bias	1,2	0,72	



* Bias of up to 2 bar

For further information

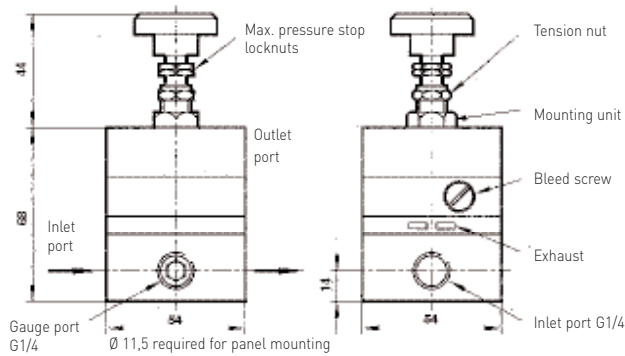


www.norgren.com/info/nec/en6-122

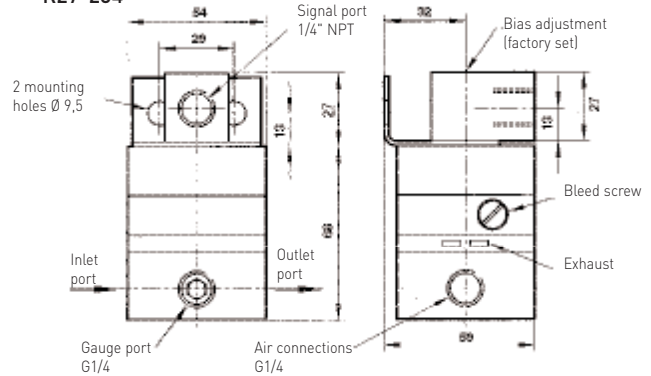
DIMENSIONS

Precision pressure regulators

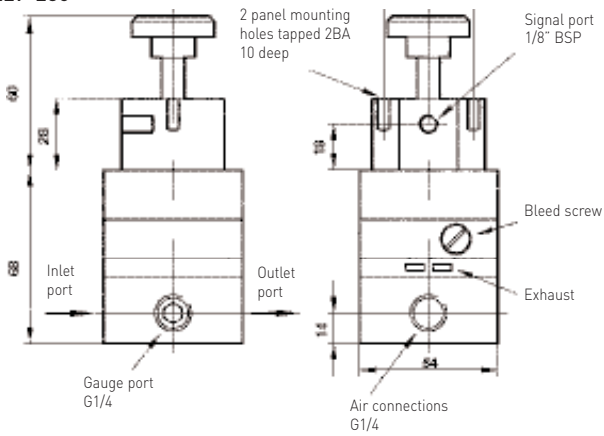
R27-200



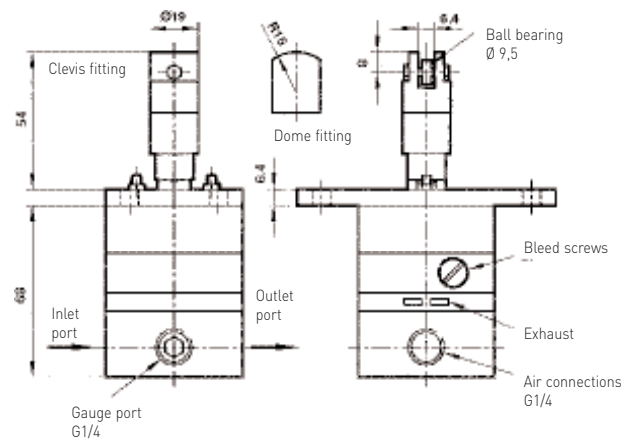
R27-234



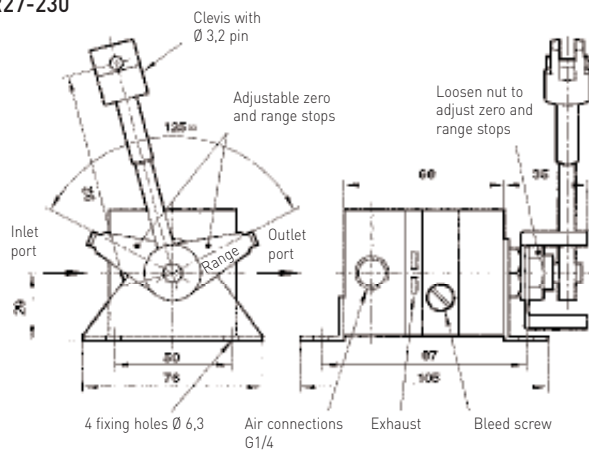
R27-236



R27-232

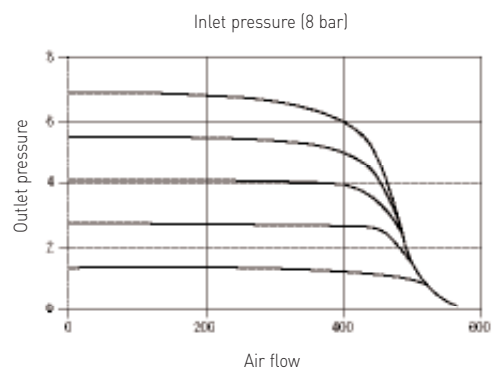


R27-230

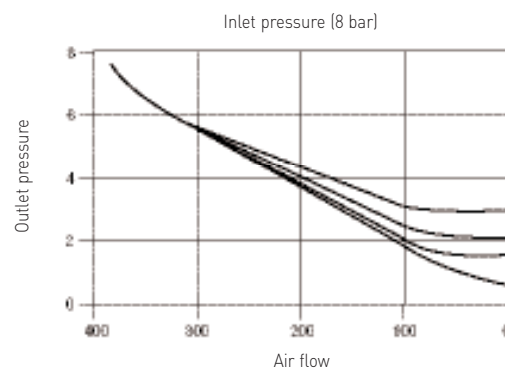


FLOW CHARACTERISTICS

Forward flow characteristics



Relief flow characteristics



MINIATURE PLASTIC PRESSURE REGULATORS

For water and compressed air use

R91 - G1/4

R91



Bonnet and body made from acetal plastic
Low torque, non-rising adjusting knob

Snap action knob locks pressure setting when pushed down

R91W - Materials in contact with fluid are approved by the National Sanitation Foundation and the Food and Drug Administration for use in potable water systems

TECHNICAL DATA

Fluid:

R91G: Compressed air and non-potable water

R91W: Potable water, deionized water

Maximum pressure:

10 bar (150 psig)

Operating temperature:

Water service: +2°C ... +52°C

Air service: -20°C ... +52°C*

When used in air service, air supply must be dry enough to avoid ice formation at temperatures below +2°C

Typical flow:

Compressed air service:

11 dm³/s at 10 bar inlet pressure, 6,3 bar set pressure and a droop of 1 bar from set

Water service:

6,6 litres per minute at 7 bar inlet pressure, 4 bar set pressure and a droop of 1 bar from set

Gauge ports:

1/8 PTF with PTF main ports

1/8 with ISO Rc main ports

1/8 with ISO G main ports

MATERIALS

Body and bonnet: Acetal

Valve:

R91G: Brass/nitrile

R91W: Stainless steel/food grade EPDM

Valve seat: Acetal

Valve seat o-ring:

R91G: Nitrile

R91W: Food grade EPDM

Diaphragm:

R91G: Acetal/nylon inserted nitrile

R91W: Acetal/nylon inserted nitrile, food grade

Gauge port plugs: Polypropylene (furnished only with PTF-ported units)

MODELS FOR COMPRESSED AIR AND NON-POTABLE WATER APPLICATIONS

		MODELS				ACCESSORIES		SERVICE KIT	
Port size	Pressure range (bar)	Flow (dm ³ /s)	kg		Neck mounting bracket	Gauge Ø 40 mm 0 ... 4 bar		0 ... 10 bar	
	G1/4	0,3...3,5	24	0,07					
	G1/4	0,3...8,6	24	0,07	R91G-2GK-NLN	18-025-003	18-013-990	18-013-989	3407-94
Non relieving	G1/4	0,3...8,6	24	0,07	R91G-2GK-RLN*	18-025-003	18-013-990	18-013-989	3407-95

*Relieving type for compressed air use only

MODELS FOR POTABLE AND DE-IONISED WATER APPLICATIONS

		MODELS				ACCESSORIES		SERVICE KIT	
Port size	Pressure range (bar)	Flow (dm ³ /s)	kg		Neck mounting bracket	Gauge Ø 40 mm 0 ... 4 bar		0 ... 10 bar	
	G1/4	0,3...3,5	24	0,07					
	G1/4	0,3...8,6	24	0,07	R91W-2GK-NLN	18-025-003	18-013-990	18-013-989	3407-93

For further information



www.norgren.com/info/nec/en6-124

OPTIONS SELECTOR

R 9 1 ★ - ★ ★ ★ - ★ ★ ★

Application	Substitute
Industrial air, non-potable water	G
26 mm	W
Port size	Substitute
1/4"	2
Threads	Substitute
PTF	A
ISO Rc taper	B
ISO G parallel	G
Adjustment	Substitute
Knob	K

Gauge	Substitute
With	G ††
Without	N
Outlet pressure adjustment range†	Substitute
0,3 ... 3,5 bar	E
0,3 ... 8,6 bar	L
Diaphragm	Substitute
Non relieving	N
Relieving ††	R

* Approximate flow with 10 bar inlet pressure, 6,3 bar set pressure and a 1 bar droop from set.

** Approximate flow with 7 bar inlet pressure, 4 bar set pressure and a 1 bar droop from set.

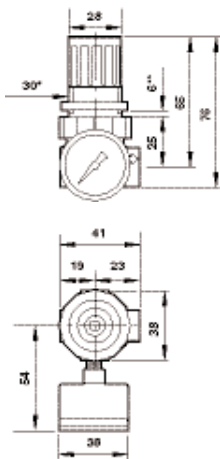
† Outlet pressure can be adjusted to pressures in excess of, and less than, those specified. Do not use these units to control pressures outside of the specified ranges.

†† Gauge with NSF approved materials not available.

††† Relieving diaphragm only available with the R91G regulator.

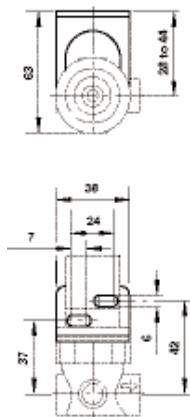
DIMENSIONS

Panel mounting hole diameter 30 mm
Maximum panel thickness 0 to 6 mm

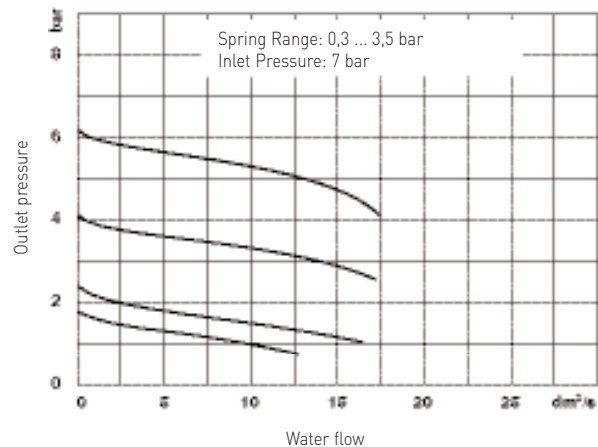
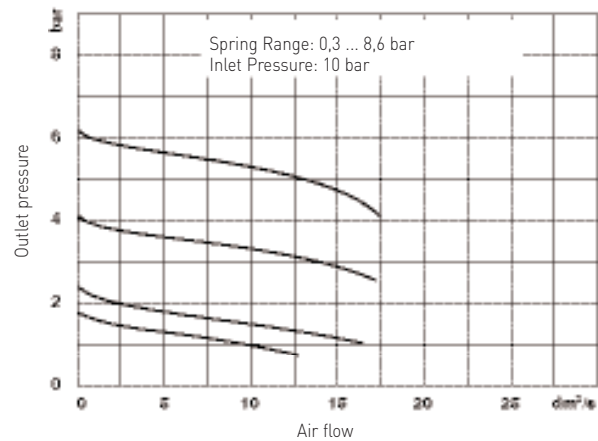


Bracket mounting

Use 3 mm screws to mount bracket to wall



FLOW CHARACTERISTICS



WATER REGULATORS

for potable water and non-water applications

R06, R43 and 11-809 - G1/8 ... G1



11-809



R06



R43

Brass bodied units ideal for potable as well as general water systems

Can be disassembled without removal from the air or water line

TECHNICAL DATA

Medium:

Water and compressed air

Operating temperature:

Water service: 2°C ... 93°C (R43 & 11-809) and 2°C ... 65°C† (R06)

Air service: -34°C ... 93°C* (R43 & 11-809) and -34°C ... 65°C† (R06)

* Air supply must be dry enough to avoid ice formation at temperatures below 2°C

† Typical flow for water service at 7 bar inlet pressure, 4 bar set pressure and a droop of 1 bar from set: 4,9 lpm

† Typical flow for compressed air service at 7 bar inlet pressure, 6,3 bar set pressure and a droop of 1 bar from set: 5,7 dm³/s

Gauge ports:

R43:

1/4" PTF with PTF main ports

1/4" ISO G with ISO G main ports

1/4" ISO Rc with ISO Rc main ports

R06:

1/8" PTF

11-809:

1/8" PTF with PTF main ports

G1/8 with ISO G main ports

Rc1/4 with ISO Rc main ports

MATERIALS

Body: Brass

Elastomers: Nitrile

WATER REGULATORS FOR POTABLE WATER AND NON-WATER APPLICATIONS

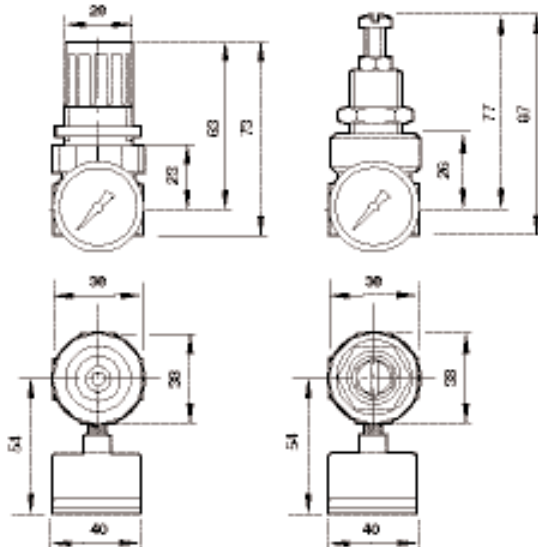
Port size	Pressure range (bar)	Flow (dm³/s)*	kg	MODELS	ACCESSORIES		SERVICE KIT
					Wall mounting bracket	Gauge Ø 40 mm (0 ... 10bar)**	
G1/8	0,14 ... 7	5,7	0,09	R06-170-NNKD*			
G1/8	0,14 ... 7	5,7	0,09	R06-122-NNKD	18-001-021	18-013-989	3407-17
G1/4	0,14 ... 7	5,7	0,09	R06-270-NNKD*	18-001-021	18-013-989	3407-17
G1/4	0,14 ... 7	5,7	0,09	R06-222-NNKD	18-001-021	18-013-989	3407-17
G1/4	0,7 ... 8	0,4	1,09	R43-201-NNLD*	18-001-990	18-013-013	R43-100N
G3/8	0,7 ... 8	0,4	1,09	R43-301-NNLD*	18-001-990	18-013-013	R43-100N
G1/2	0,3 ... 8	0,6	1,09	R43-401-NNLD*	18-001-990	18-013-013	R43-100N
G3/4	0,3 ... 8	1,7	7,8	11-809-999	-	18-013-989	2436-03
G1	0,3 ... 8	1,7	7,5	11-809-995	-	18-013-989	2436-03

*Suitable for potable water supplies. United Kingdom Water Byelaws Scheme approved. Other pressure ranges available.

DIMENSIONS

R06

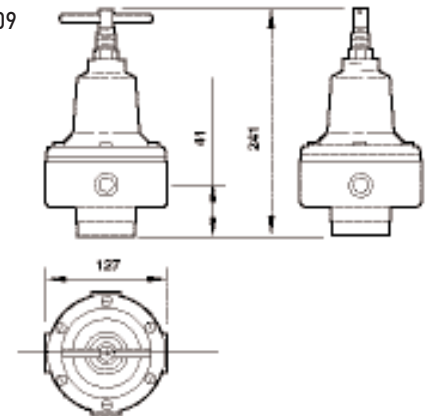
Panel mounting hole diameter:
Models with plastic bonnet: 30 mm
Models with brass bonnet: 21mm
Maximum panel thickness: 6 mm



R06 221 Models with Plastic Bonnet

R06 222 Models with Brass Bonnet

11-809



Dimensions in mm

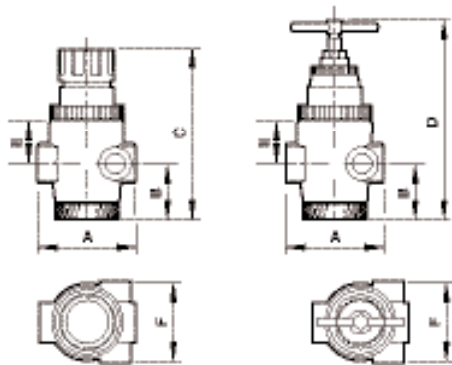
For further information



www.norgren.com/info/nec/en6-126

R43

Panel mounting hole diameter: 48 mm
Maximum panel thickness: 5 mm



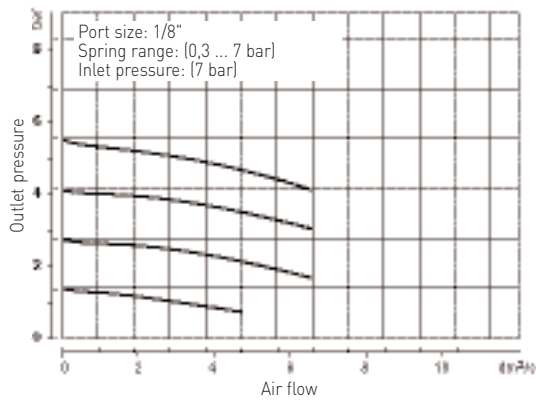
Port size	A	B	C	D	E	F
1/4, 3/8	70	39	124	146	31	59
1/2	85	41	127	150	33	62

Dimensions in mm

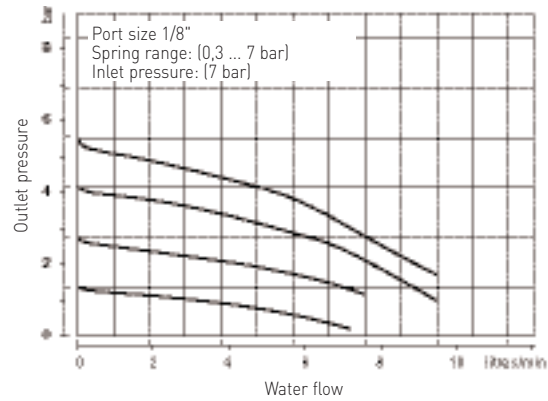
FLOW CHARACTERISTICS

R06

Air flow characteristics

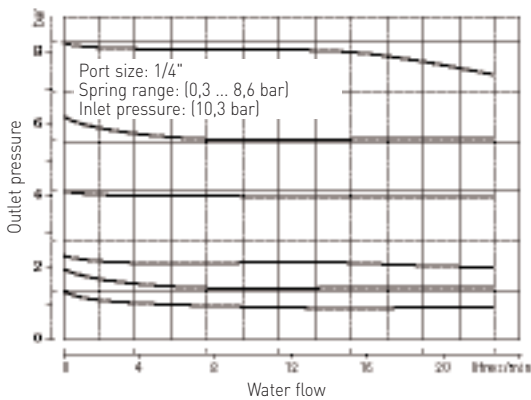


Water flow characteristics

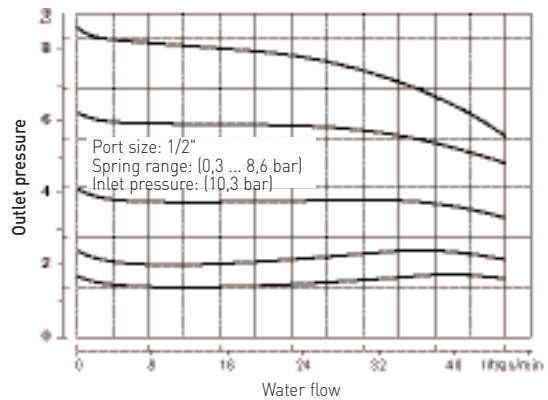


R43

Water flow characteristics

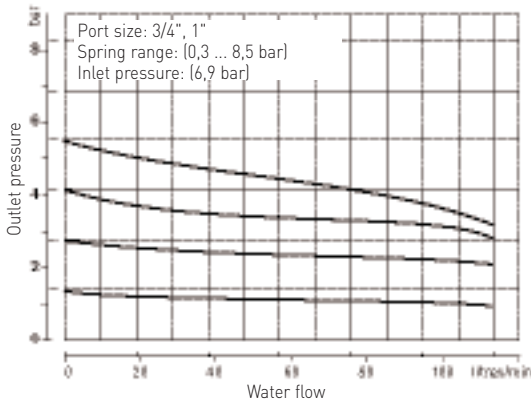


Water flow characteristics



11-809

Water flow characteristics



HIGH SECURITY AND ACCURACY FROM NORGREN PRESSURE RELIEF VALVES

HELPS PROTECT AIR OPERATED EQUIPMENT FROM OVER PRESSURE BY
RETARDING EXCESSIVE PRESSURE BUILD UP

- » Norgren pressure relief valves comply with category 0(S.E.P.) and category 1 of the Pressure Equipment Directive 97/23/EC. If categories 2, 3 or 4 products are required contact our Technical Services.
- » When choosing a relief valve always make sure that the maximum pressure does not exceed the service pressure of the application we are protecting.

Diaphragm types



V07

1/8", 1/4"
0 ... 9 bar
Relief air flow: 0 ... 9,5 dm³/s
page 6-100



40AC

3/4", 1"
0 ... 16 bar
Relief air flow: 0 ... 200 dm³/s
page 6-129



V72G

1/4", 3/8"
0 ... 10 bar
Relief air flow: 0 ... 25 dm³/s
page 6-048



V64H

1/4", 3/8", 1/2", 3/4"
0 ... 17 bar
Relief air flow: 0 ... 160 dm³/s
page 6-086



V74G

3/8", 1/2", 3/4"
0 ... 17 bar
Relief air flow: 0 ... 100 dm³/s
page 6-048



V68H

3/4", 1", 1 1/4", 1 1/2"
0 ... 17 bar
Relief air flow: 0 ... 300 dm³/s
page 6-086

Pop types



1002

1/4"
0 ... 14 bar
Relief air flow: 0 ... 5,5 dm³/s
page 6-130



61B2

1/4"
0 ... 16 bar
Relief air flow: 0 ... 5,5 dm³/s
page 6-130



V05

1/4"
0 ... 4 bar
Relief air flow: 0 ... 20 dm³/s
page 6-130

PILOT OPERATED PRESSURE RELIEF VALVES

Diaphragm type

40AC - G3/4, G1

40AC



Protect compressed air systems from over-pressurisation

40AC pilot operated units can be installed at any point in the compressed air system without regard to accessibility – pilot regulator can be installed in the most convenient location

Norgren pressure relief valves comply with category O[S.E.P.] and category 1 of the Pressure Equipment Directive 97/23/EC. If categories 2, 3 or 4 products are required contact our Technical Services.

TECHNICAL DATA

Medium:

Compressed air only

Gauge ports:

G1/8

Relief port:

As inlet port

Relief pressure adjustment range:

0,14 ... 16 bar

Ambient temperature:

-20°C to +80°C

Consult our Technical Service for use below +2°C

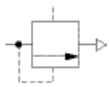
MATERIALS

Body: zinc alloy

Bonnet: aluminium alloy

Elastomers: synthetic rubber

Port size	kg	MODELS	ACCESSORIES	SERVICE KIT	
			Neck mounting bracket	Gauge 0 ... 10 bar	
G 3/4	1,60	 40AC-6/PX100	 18-001-029	 18-013-014	 40AC-100
G 1	1,55	40AC-8/PX100	18-001-029	18-013-014	40AC-100

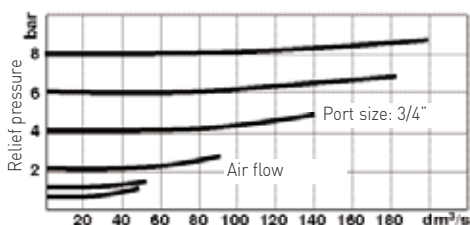


Operating pressure range may be restricted by piloting regulator or controlled air supply. For pilot operator use regulator type 11400.

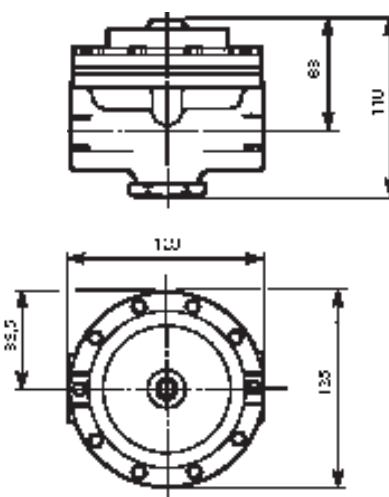
Feedback pilot regulators should never be used in conjunction with pilot operated relief valves.

* Note: Use of these units outside of their operating pressure ranges could lead to product malfunction and should not be attempted.

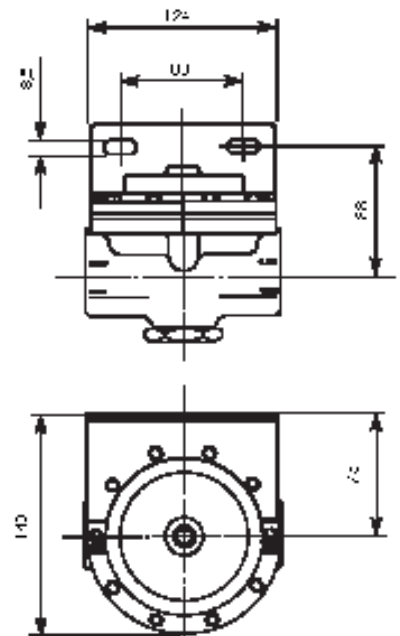
FLOW CHARACTERISTICS



DIMENSIONS



Bracket kit



Weight: 1,60 kg

For further information



www.norgren.com/info/nec/en6-129

POP TYPE PRESSURE RELIEF VALVES

1002, 61B2, V05 - R1/4



Protect compressed air systems from over-pressurisation

Simple, low cost 'Pop' type units for direct connection to pressure vessels and associated components

Pre-set and tamper resistant relief valves protected from ingress

Norgren pressure relief valves comply with category O(S.E.P.) and category 1 of the Pressure Equipment Directive 97/23/EC. If categories 2, 3 or 4 products are required contact our Technical Services.

TECHNICAL DATA

Medium:

Compressed air only

Ambient temperature:

-40°C ... +230°C (1002)

-20°C ... +80°C (61B2)

-4°C ... +40°C (V05)

Consult our Technical Service for use below +2°C

MATERIALS

1002:

Body & adjusting cap: brass

Ball seal: stainless steel

61A2, 61B2:

Body & adjusting cap: brass

Seal: polyurethane

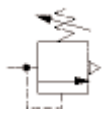
V05 (brass):

Body & adjusting cap: brass

Seal: polyurethane

Seal body: acetal or brass

Series	Pressure range (bar)	kg	MODELS
R1/4	2 ... 6,3	0,110	1002
R1/4	0 ... 1,6	0,110	1002/BM000
R1/4	1,6 ... 2,5	0,110	1002/BP000
R1/4	6,3 ... 14	0,110	1002/BR000
R1/4	0,63 ... 1,6	0,051	61B2/BM000
R1/4	1,6 ... 4	0,051	61B2/BN000
R1/4	2,5 ... 5	0,051	61B2/BS000
R1/4	5 ... 10	0,051	61B2/BT000
R1/4	10 ... 16	0,051	61B2/BU000



OPTIONS SELECTOR

V05-200-P★★★

Nominal setting	Substitute	Thread type	Substitute
1,00 bar	15	NPT (brass)	A
1,35 bar	20	BSPT (brass)	B
1,70 bar	25	Push in connection (plastic)	P
2,00 bar	30		
2,35 bar	35		
2,70 bar	40		
3,00 bar	45		
3,35 bar	50		
3,70 bar	55		
4,00 bar	60		

Additional pressure settings are available up to 15,5 bar, please contact Norgren Technical Service for details

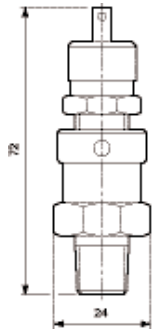
For further information



www.norgren.com/info/nec/en6-130

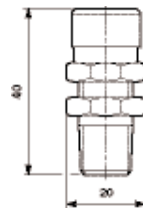
DIMENSIONS

1002



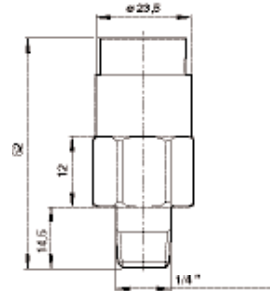
Weight: 0,11 kg

61B2



Weight: 0,05 kg

V05 (brass)

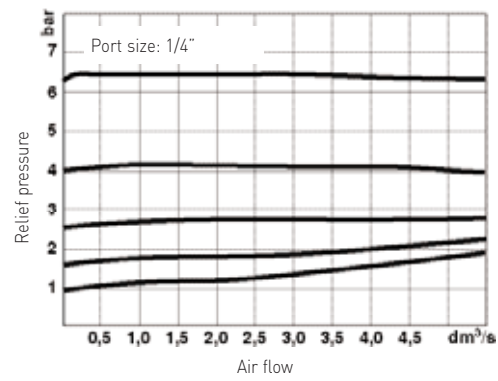


V05 (plastic)

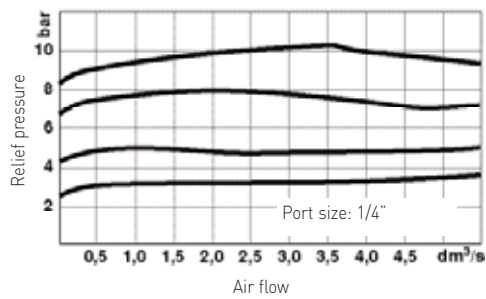


FLOW CHARACTERISTICS

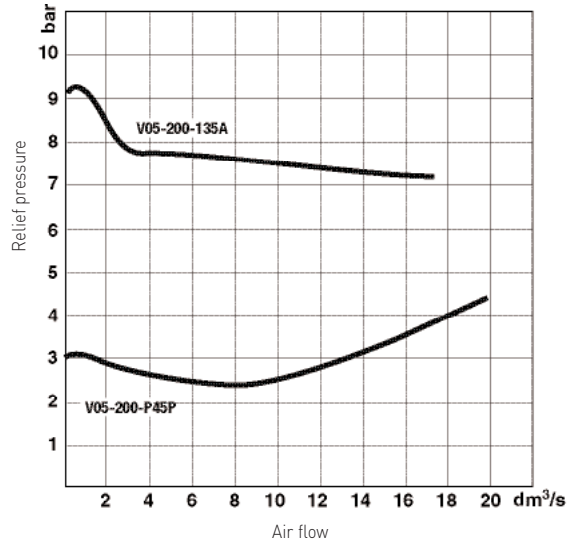
1002



61A2, 61B2



V05



MINIATURE STAINLESS STEEL REGULATORS

Pressure regulators, filter-regulators

B05, R05 - 1/4" PTF



R05

B05

Metallic parts meet NACE* recommendations

Miniature high corrosion resistant design

Adjusting knob has snap-action lock

Particularly suitable for marine, petro-chemical, food processing, medical, dental and similar applications

Panel mounting facility

* National Association of Corrosion Engineers - recognised oil-field recommendation for resistance to sulphide stress cracking common in well-head and other corrosive environments.

TECHNICAL DATA

Medium:

Compressed air only

Maximum inlet pressure:

17 bar

Gauge ports:

1/8" PTF

Ambient temperature:

-34°C ... +66°C

Consult our Technical Service for use below +2°C

MATERIAL

Body: stainless steel body

Adjusting knob/bonnet: acetal resin

Elastomers: viton

Filter element: polypropylene

ALTERNATIVE MODELS

Non-relieving versions

Contact our Technical Services for details

B05

		MODELS		ACCESSORIES		SERVICE KIT	
Port size	Pressure range (bar)	Flow * (dm ³ /s)	kg	Gauge** 0 ... 10 bar	Mounting nut		
	1/4 PTF	0,3...8,6	5	0,42	 18-013-844	 2962-89	 B05-KITM05R
	1/4 PTF	0,2...3,5	4	0,42	 18-013-844	 2962-89	 B05-KITM05R

* Typical flow with 10 bar inlet pressure, 6,3 pressure and 1 bar drop from set. ** Not NACE standard

R05

		MODELS		ACCESSORIES		SERVICE KIT	
Port size	Pressure range (bar)	Flow * (dm ³ /s)	kg	Gauge** 0 ... 10 bar	Mounting nut		
	1/4 PTF	0,3...8,6	3	0,20	 18-013-844	 2962-89	 R05-KITR
	1/4 PTF	0,2...3,5	3	0,20	 18-013-844	 2962-89	 R05-KITR

* Typical flow with 10 bar inlet pressure, 6,3 pressure and 1 bar drop from set. ** Not NACE standard

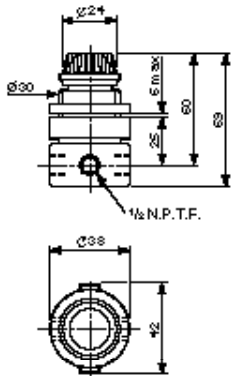
For further information



www.norgren.com/info/nec/en6-132

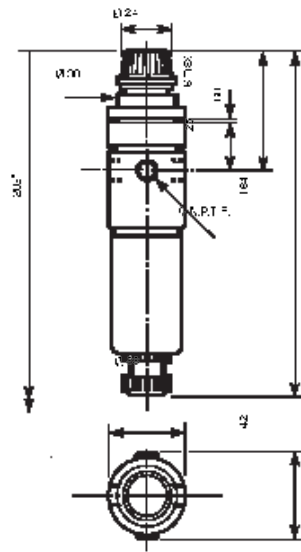
DIMENSIONS

R05



Weight: 0,20 kg

B05



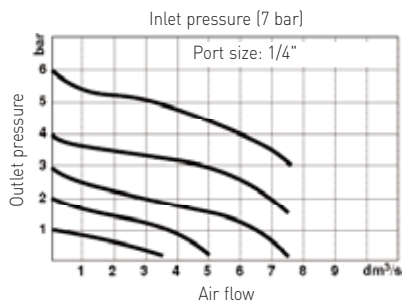
Manual drain

Weight: 0,42 kg

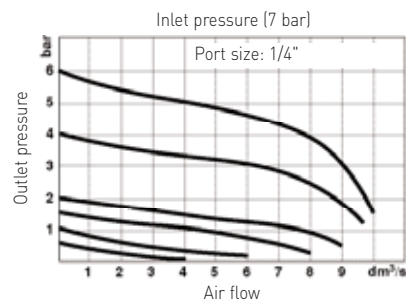
*Minimum clearance required to remove bowl from body.

FLOW CHARACTERISTICS

R05



B05



PORTED STAINLESS STEEL EQUIPMENT

Filters, pressure regulators, lubricators

F22, R22, L22 - 1/2" PTF



F22

R22

L22

Materials meet NACE* recommendations (MR-0175, 2002 revision)

25 µm filter element and auto drain as standard

Orientable metal bowls with sightglasses

* National Association of Corrosion Engineers – recognised oil-field recommendation for resistance to sulphide stress cracking common in well-head and other corrosive environments

TECHNICAL DATA

Medium:

Compressed air only

Maximum inlet pressure:

17 bar (F22, L22)
20 bar (R22)

Gauge ports:

1/4 PTF (R22)

Pressure range:

R22: 0,4...10 bar

Operation:

R22: see table below
L22: Oil-fog

Start point:

L22: 1,7 dm³/sat 6,3 bar

Ambient temperature:

-20°C ... +80°C

Consult our Technical Service for use below +2°C

MATERIALS

Bowl, bonnet & adjusting screw: stainless steel

Elastomers: synthetic rubber

Filter element: sintered stainless steel, polyethylene (option of stainless steel)

F22 - FILTERS

Port size	Flow* (dm ³ /s)	MODELS		ACCESSORIES		SERVICE KIT	
		Auto drain	Manual drain	Wall mounting bracket		Auto drain	Manual drain
 1/2 PTF	57						
		F22-400-A7DA	F22-400-M7DA	18-001-962		F22-KITA25	F22-KITM25

* Typical flow with 10 bar inlet pressure, 6.3 bar pressure and 0.5 bar pressure drop

R22 - PRESSURE REGULATORS

Port size	Flow* (dm ³ /s)	Operation	MODELS		ACCESSORIES			SERVICE KIT
			Auto drain		Neck mounting bracket	Gauge** 0 ... 10 bar	Wall mounting bracket	Auto drain
 1/2 PTF	50	Relieving						
1/2 PTF	50	Non-relieving	R22-401-NNMA		18-001-959	18-013-909	18-001-962	

* Typical flow with 10 bar inlet pressure, 6.3 bar set pressure and 1 bar drop from set **Not to NACE standard

L22 - LUBRICATORS

Port size	Flow* (dm ³ /s)	MODELS		ACCESSORIES		SERVICE KIT
		Auto drain		Wall mounting bracket		
 1/2 PTF	48					
		L22-400-OP8A		18-001-962	L22-KIT	

* Typical flow with 6.3 bar inlet pressure and 0.5 bar pressure drop

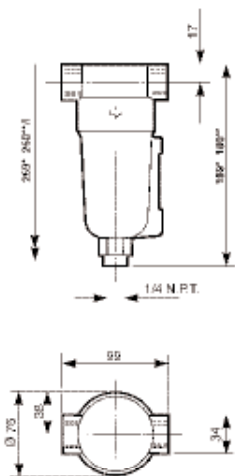
For further information



www.norgren.com/info/nec/en6-134

DIMENSIONS

F22

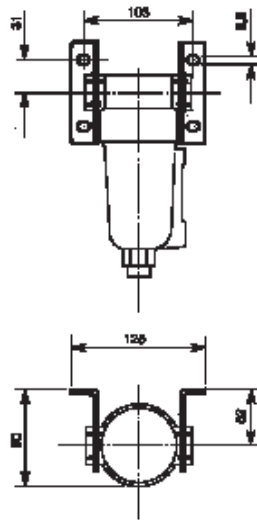


Weight: 1,88 kg

*Auto **Manual

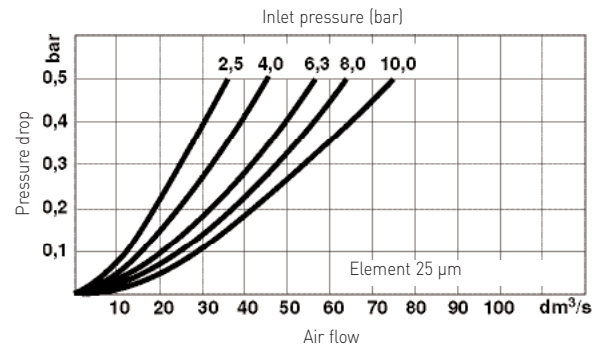
Minimum clearance required to remove bowl from body

Bracket mounting (F22)

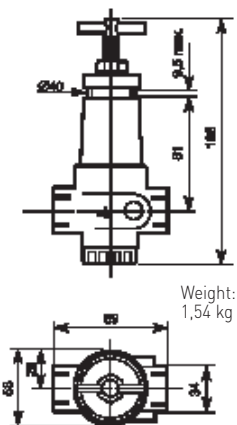


FLOW CHARACTERISTICS

F22

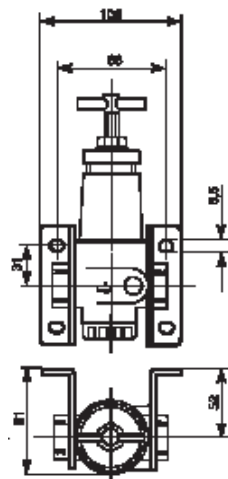


R22

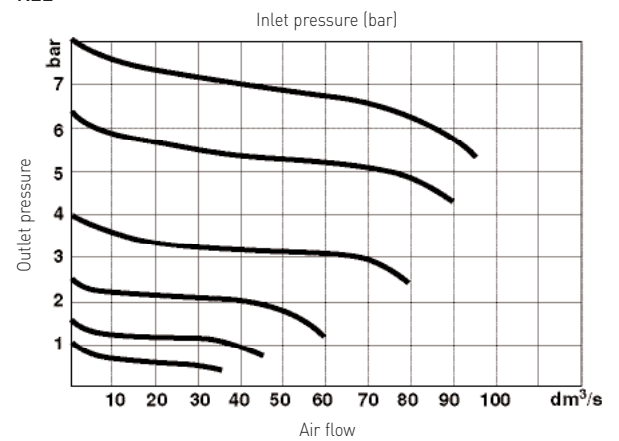


Weight:
1,54 kg

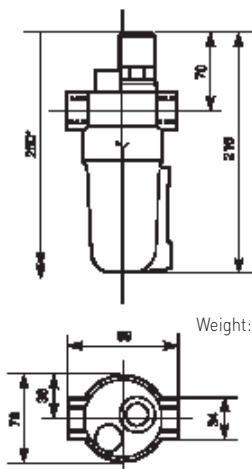
Bracket mounting (R22)



R22

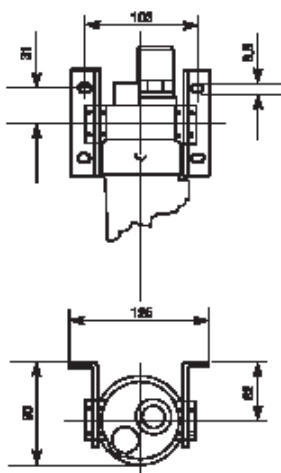


L22

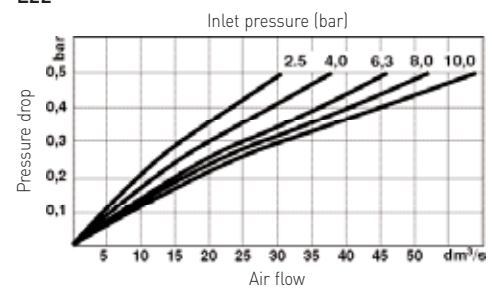


Weight: 1,93 kg

Bracket mounting (L22)



L22



STAINLESS STEEL Filter-regulator

B38 - 1/2, 3/8 & 3/4"PTF

B38



Designed for use in corrosive environments

Metallic parts meet NACE Standard MR-01-75*

Applications include marine environments, oil and gas production, chemical and food processing, medical analysis

Relieving or non relieving models. Relieving models allow reduction of outlet pressure even when the system is dead-ended

* National Association of Corrosion Engineers – recognised oil-field recommendation for resistance to sulphide stress cracking common in well-head and other corrosive environments

Gauge ports: 1/4"PTF

Relief port: 1/8"PTF

Ambient temperature: -40°C ... +80°C

Consult our Technical Service for use below +2°C

Automatic drain connection: 1/4"PTF

Automatic drain operating conditions (float operated):

To close drain: Greater than 0.3 bar

To open drain: Less than 0,2 bar

Minimum air flow required to close drain 1dm³/s

ACCESSORIES

Series	Neck mounting bracket	Gauge	Panel mounting	Plastic adjusting knob
B38	18-001-973 (includes panel nut)	18-013-909 (0-10bar) 18-013-913 (0-6bar)	5988-02 (Nut only)	74630-04

TECHNICAL DATA

Medium:

Compressed air only

Maximum inlet pressure:

17 bar (autodrain)

31 bar (manual drain)

Flow:

50 dm³/s

Typical flow with 12 bar inlet pressure, 8 bar set pressure and 1 bar droop from set.

MATERIALS

Body – Stainless steel

Bonnet – Stainless steel

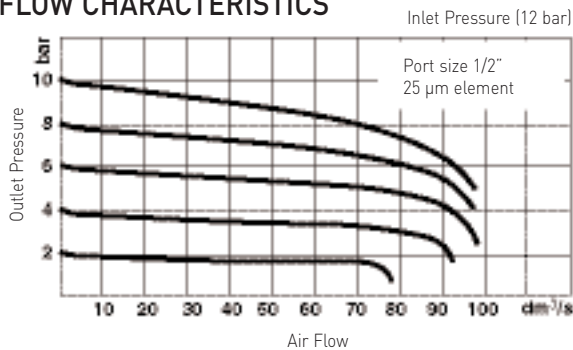
Bowl – Stainless steel

Adjusting screw – Stainless steel

Elements: High density polyethylene

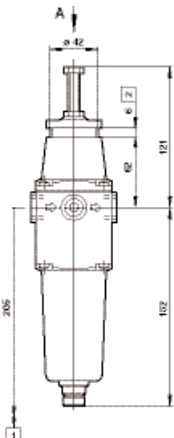
Elastomeric materials – Synthetic rubber

FLOW CHARACTERISTICS



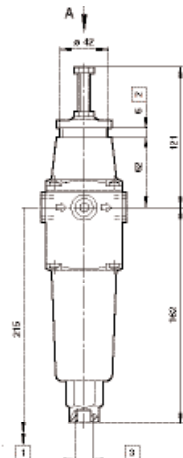
DIMENSIONS

Manual drain



- 1 Minimum clearance required to remove bowl
- 2 Maximum panel thickness 6 mm
- 3 Connection 1/4"PTF

Automatic drain



OPTIONS SELECTOR

B38-*****A

Port size	Substitute	←
3/8" PTF	3	
1/2" PTF	4	
3/4" PTF	6	
Materials	Substitute	←
Nitrile elastomers	4	
Diaphragm	Substitute	←
Relieving with panel nut	4	
Non relieving with panel nut	5	
Outlet pressure adjustment range*	Substitute	←
0,04 ... 2 bar	C	
0,07 ... 4 bar	F	
0,3 ... 9 bar	L	
0,7 ... 17 bar	S	
Element	Substitute	←
5 µm	1	
25 µm	2	
Drain	Substitute	←
Automatic	A	
Manual	M	

* Outlet pressure can be adjusted to pressures in excess of, and less than, those specified. Do not use these units to control pressures outside of the specified ranges.

For further information



www.norgren.com/info/nec/en6-136

PRECISION STAINLESS STEEL REGULATORS

Pressure regulators, filter-regulators

R38, B38 - 1/4" PTF



R38



B38

Materials meet NACE* recommendations (MR-0175, 2002 revision)

Suitable for marine, offshore, food processing and dental applications

R38/B38 models for precision regulation and high flow rates

* National Association of Corrosion Engineers – recognised oil-field recommendation for resistance to sulphide stress cracking common in well-head and other corrosive environments

TECHNICAL DATA

Medium:

Compressed air only

Maximum inlet pressure:

17 bar (autodrain)

31 bar (R38, B38 manual drain)

Gauge ports:

1/4 PTF (R38, B38)

Ambient temperature:

-40°C ... +80°C (R38, B38)

Consult our Technical Service for use below +2°C

Operation:

Relieving

MATERIALS

Body, bowl, bonnet & adjusting screw: stainless steel

Elastomers: synthetic rubber

Filter element: high density polyethylene (25 µm), ceramic pyrolith (5 µm) [B38]

PRECISION REGULATORS

Port size	Flow (dm ³ /s)*	Range (bar)	kg	MODELS		ACCESSORIES				SERVICE KIT
				Neck mounting	Gauge (0 ... 10bar)**	Panel mounting	Plastic adjusting knob			
1/4 PTF	8	0,04 ... 2	0,48							R38-100R
	8	0,07 ... 4	0,46							R38-101R

* Typical flow with 7 bar inlet pressure, 6,3 bar set pressure and a droop of 1 bar

** Other pressure ranges available – see page XXX

*** Stainless steel items not strictly to NACE standard MR-01-75

PRECISION FILTER-REGULATORS

Port size	Flow (dm ³ /s)*	Element (µm)	Range (bar)	kg (Manual - Auto)	MODELS		ACCESSORIES				SERVICE KIT	
					Manual	Auto	Neck mounting bracket	Gauge (0 ... 10bar)***	Panel mounting	Plastic adjusting knob		
1/4 PTF	8*	25	0,25 ... 7	1,4		-						B38-100S (25)
	8*	25	0,07 ... 4	1,4 - 1,6								B38-100S (25)

Can be adjusted to zero outlet pressure, and, generally, to pressures in excess of those specified.

* Typical flow with 7 bar inlet pressure, 1 bar set pressure and a droop of 0,05 bar.

Drain kits:

Manual drain 2787-43

‡ Auto drain 3000-87

*** Other pressure ranges available – see page xxx
**** Stainless steel items not strictly to NACE standard MR-01-75

For further information



www.norgren.com/info/nec/en6-137

OPTIONS SELECTOR

B38-24★-★-★-★

Diaphragm	Substitute
Relieving with panel nut	4
Non relieving with panel nut	5

Drain	Substitute
Automatic	A
Manual – short bowl	B
Manual – long bowl	M

Element	Substitute
5 µm	1
25 µm	2

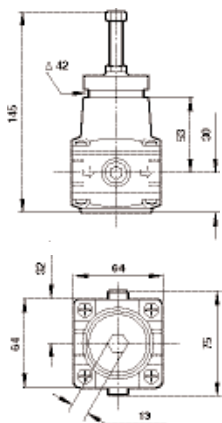
Thread	Substitute
PTF	A
ISO RC Taper	B
ISO G Parallel	D

Outlet pressure adjustment range*	Substitute
0,04 ... 2	C
0,07 ... 4	F
0,25 ... 7	K#
0,50 ... 10	M

* Outlet pressure can be adjusted to pressures in excess of, and less than, those specified. Do not use these units to control pressures outside of the specified ranges. # 1/4" only. ± 1/2" only

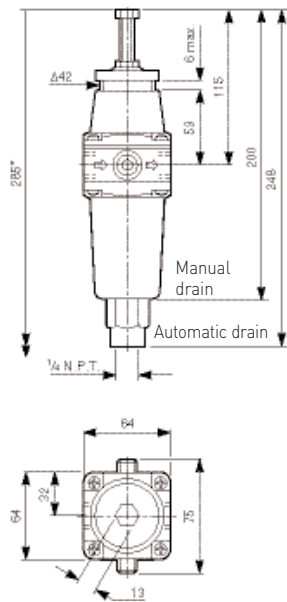
DIMENSIONS

R38 (1/4)



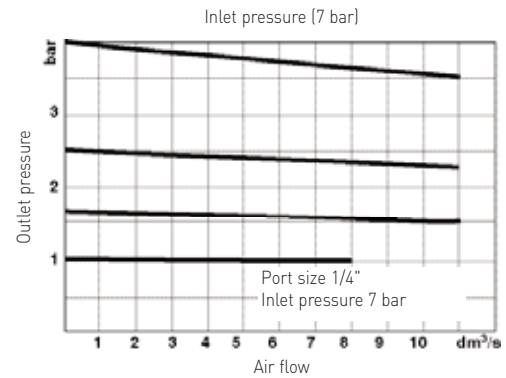
Weight: 0,48 kg

B38 (1/4)



FLOW CHARACTERISTICS

R38/B38, 1/4"



DRIP LEG DRAIN

17-816 - G1/2

17-816



Fully automatic unit that can drain liquid from low points in compressed air systems

Vent valve allows pressure to be exhausted to atmosphere before routine maintenance is carried out

TECHNICAL DATA

Medium:

Compressed air only

Maximum inlet pressure:

10 bar transparent bowl
16 bar metal bowl

Operating Temperature:

-20°C* ... +50°C transparent bowl
-20°C* ... +80°C metal bowl

Consult our Technical Service for use below +2°C

Port Sizes:

G¹/₂ to ISO 1179

Accepts ISO 228 (BS 2779) parallel or ISO 7 (BS 21) taper connectors

MATERIALS

Polycarbonate bowl to BS 6005 as standard, zinc alloy bowl optional. Zinc alloy body. Synthetic rubber elastomeric materials.

	Port size	Bowl	kg	MODELS	SPARE KIT
	G1/2	Transparent	0,30	17-816-999	17-916-100
	G1/2	Metal	0,44	17-816-998	17-916-100

ACCESSORIES

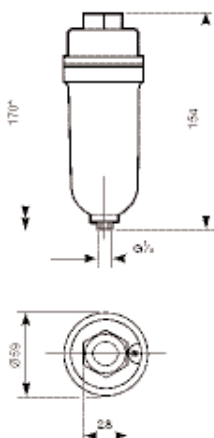
Bowl guard kit for transparent bowl model, reference 18-012-985.

Shut-off ball valve, G1/2 x G1/2, reference VC8PCIH.

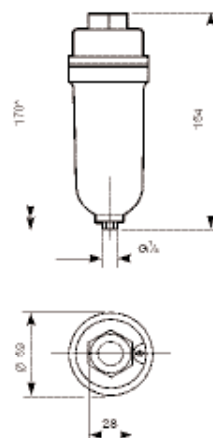
Automatic drain kit, reference 3000-04.

DIMENSIONS

Transparent polycarbonate bowl



Metal bowl



*Minimum clearance required to remove bowl from body.

For further information



www.norgren.com/info/nec/en6-139

COALESCING EXHAUST SILENCERS

CS13, CS15 - G1/4 ... G1 1/2

CS13 / CS15



Effectively reduces noise emission of multi-valve and cylinder systems

Removes oil mist and sub-micron particles from exhaust air

Assists in complying with Noise and COSHH regulations

Available as single or double units (for high flow)

Flow in either direction

TECHNICAL DATA

Medium:

Compressed air

Operating temperature*:

-20°C ... +50°C

*Air supply must be dry enough to avoid ice formation at temperatures below +2°C

MATERIALS

Body and Yoke:

CS13: Zinc

CS15: Aluminium

Cage: Aluminium

Bowl: Polypropylene

Element:

CS13: Composite materials

CS15: Steel, synthetic foam, fiber



Elastomers:

CS13: Synthetic rubber

CS15: Nitrile

ALTERNATIVE MODELS

Consult aor Technical Service for details

Port size	Description	kg	MODELS	ACCESSORIES Wall mounting bracket
				
G1/4	Single redimount	1,35	CS13-264-10GG	74504-52
G3/8	Single redimount	1,33	CS13-364-10GG	74504-52
G1/2	Single redimount	1,30	CS13-464-10GG	74504-52
G3/4	Single redimount	1,66	CS13-664-10GG	74504-52
G3/4	Single redimount	2,34	CS15-600-10DD	18-001-979
G3/4	Double redimount	4,26	CS15-600-20DD	18-001-979
G1	Single redimount	2,29	CS15-800-10DD	18-001-979
G1	Double redimount	4,21	CS15-800-20DD	18-001-979
G1 1/4	Double redimount	4,27	CS15-A00-20DD	18-001-978
G1 1/2	Double redimount	4,28	CS15-B00-20DD	N/A



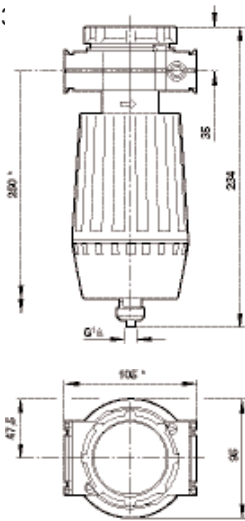
For further information



www.norgren.com/info/nec/en6-140

DIMENSIONS

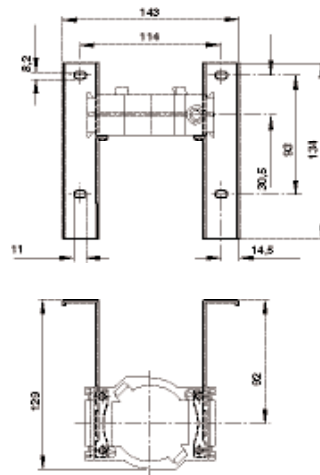
CS1:



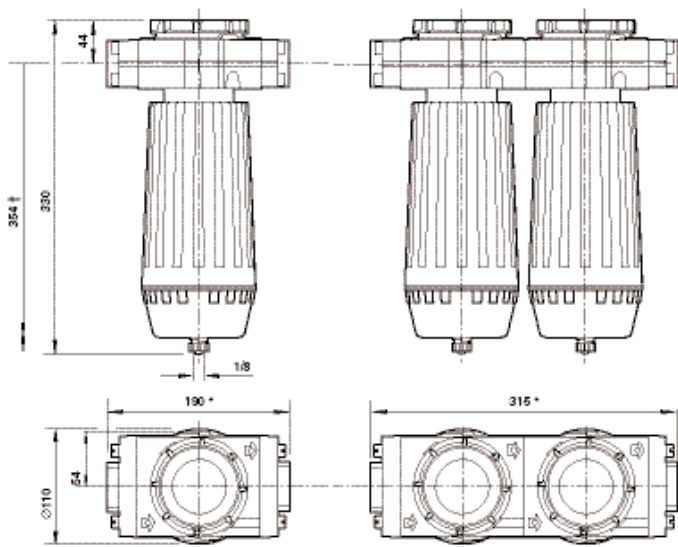
† Minimum clearance required to remove bowl
 * 157 mm for G3/4 models

Bracket mounting CS13

Use 4 mm screws to mount bracket to wall



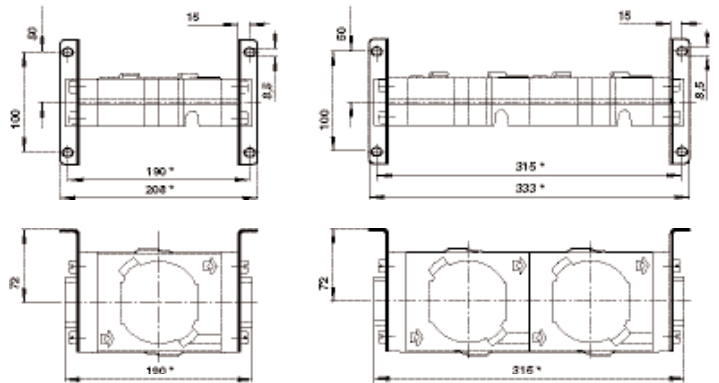
CS15



* Add 10 mm for 1-1/4" and 1-1/2" models
 † Minimum clearance required to remove bowl

Bracket Mounting CS15

Use 4 mm screws to mount bracket to wall



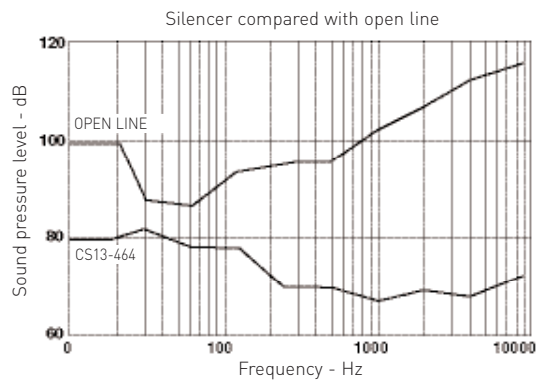
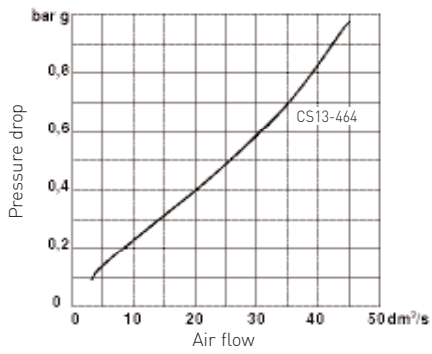
* Add 10 mm for 1-1/4" and 1-1/2" models

COALESCING EXHAUST SILENCERS

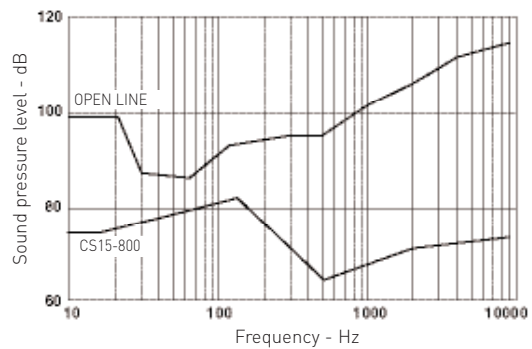
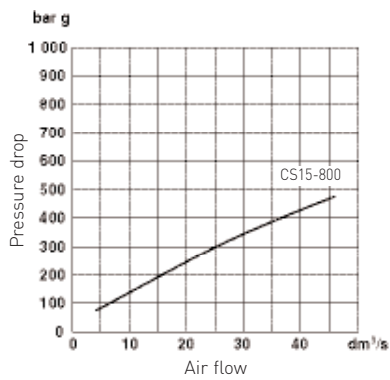
CS13, CS15 - G1/4 ... G1 1/2

FLOW CHARACTERISTICS

CS13



CS15



3/2 SLEEVE VALVES

M/7200 - G1/8 ... G1/2

M/7200



Sliding sleeve operation
Very compact in-line units
Easy to install
Very simple and reliable operation
3/2 function

TECHNICAL DATA

Medium:

Compressed air, filtered, lubricated and non-lubricated

Operation:

Sleeve valve, directly actuated, with open exhaust

Mounting:

Concentrically directly in the pipework

Port size:

G1/8 ... G1/2

Operating pressure:

0 ... 16 bar

Operating temperature:

-20°C ... +80°C max.

Consult our Technical Service for use below +2°C

MATERIALS

Body: nickel plated brass

Sleeve: clear anodised aluminium

Seals: nitrile rubber

	Port size	Flow factor C *	b	Cv	Kv **	Flow 1 - 2 at 6 - 5 bar (l/min)	kg	MODELS
	G1/8	2,8	0,2	0,7	0,6	678	0,05	M/7218
	G1/4	4,6	0,2	1,3	0,98	1107	0,09	M/7228
	G3/8	8,5	0,2	2,1	1,8	2035	0,16	M/7238
	G1/2	13	0,2	3,2	2,77	3131	0,24	M/7248

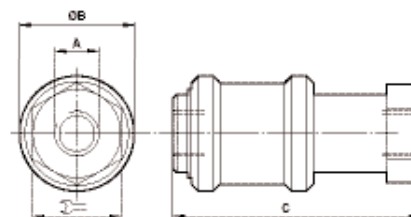


* Measured in dm³/ (s.bar)

** Measured in m³/ h

DIMENSIONS

Series	A	B	C	Ø
M/7218	G1/8	25	48	14
M/7228	G1/4	30	58	17
M/7238	G3/8	35	68	22
M/7248	G1/2	40	80	27



For further information



www.norgren.com/info/nec/en6-143



GreatOrientalTrading
www.gotrading.co.th

LINE @gotrading Facebook GreatOrientalTrading 097-3619703

1049 ถ.ร่วมธรรม ต.คลองสี้อ.หาดใหญ่ อ.สงขลา 90110