

GRB

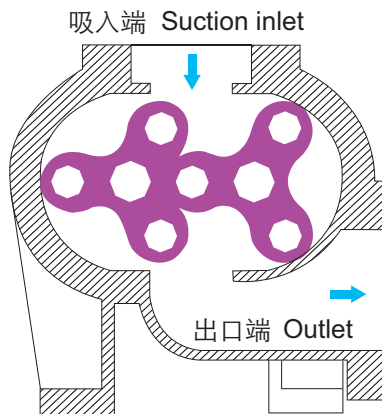
三叶罗茨鼓风机

GRB three-lobe roots blower



GRB三叶罗茨鼓风机

GRB three-lobe roots blower



原理 Theory

GRB三叶罗茨风机是一种容积式风机，其压力可根据用户的要求在允许的范围内加以调节，在机壳内部设置有两组互朝相反方向回转的叶轮，在叶轮与叶轮，及叶轮与壳体间仅留极小缝隙的状态下回转。当叶轮经过吸入端时，与壳体之间捕捉一定量的空气，随叶轮旋转，空气侧移，压力逐渐升高再送至出口端。

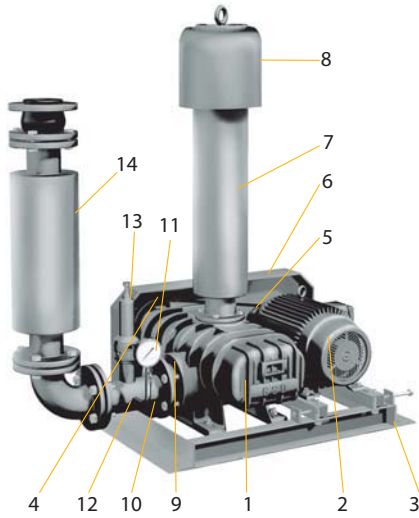
GRB is a displacement blower, the pressure can be adjusted according to the requirement of the user in allowing range, there are two impellers in the blower body which rotate in the opposite direction, in order to let the impeller rotate, there are some tiny gap between the impeller to body, impeller to impeller. When the impeller rotates through the suction inlet, it can gather an amount of air between the body and impeller, then the impeller go on rotating, and the air will be pressured, the pressure in the body will rise, finally the air has been send to the outlet.

特点 Features

- 风量和压力范围大。
口径：40mm-300mm(1.5"-12")
风量：0.36-160m³/min(12-5700CFM)
压力：一段式GRB型可达8000mmAq(0.8kgf/cm²)
- 排出气体不含油污。
- 电脑动平衡校正，低振动低噪音。
- 风量稳定，压力变化对风量之影响小。
- 特殊叶轮设计，高效率省能源。
- 构造简单坚固，无故障。
- 使用一级研磨齿轮，精度高，寿命长，低噪音。
- 严格品质管理，标准化制品。
- 叶轮采用最新之龙门刨床六轴加工法，一次加工完成，使更换方便，其具有更高之精密度。
- Wide range of capacity and pressure.
Calibre: 40mm-300mm(1.5"-12")
Capacity: 0.36-160m³/min(12-5700CFM)
Pressure: The pressure of one-stage GRB type up to 8000mmAq(0.8kgf/cm²)
- Delivers completely oil-free air.
- Low oscillation and low noise by dynamic balance which revised by computer.
- Smaller change in capacity against change in pressure.
- High efficiency due to special impeller design, great air-delivery low power.
- Simpler and solider structure, less trouble.
- Highest quality pilot & accurate great applied, long life and low noise assured.
- Standardized product with strict quality control.
- Our rotor has used the most advanced technic, one time for all working process of the six-shaft method, to enhance the precision.



外形结构图 Externality construction



| NO. | 附件 | Accessories |
|-----|-------|-----------------------|
| 1 | 本机体 | Blower body |
| 2 | 电动机 | Motor |
| 3 | 底座 | Foundation |
| 4 | 皮带轮 | Pulley |
| 5 | 传动皮带 | Driving belt |
| 6 | 皮带护罩 | Belt cover |
| 7 | 入口消音器 | Suction silencer |
| 8 | 防雨盖 | Rain cover |
| 9 | 逆止阀 | Check valve |
| 10 | 缓冲管 | Gauge Pipe |
| 11 | 吐出压力表 | Outlet pressure gauge |
| 12 | 三通管 | T-joint |
| 13 | 泄压阀 | Relief valve |
| 14 | 出口消音器 | Outlet silencer |

注：GRB-40机型不配出口消音器
Note: GRB-40 without outlet silencer

型号说明 Type description

GRB - 65

口径(mm)

Diameter(mm)

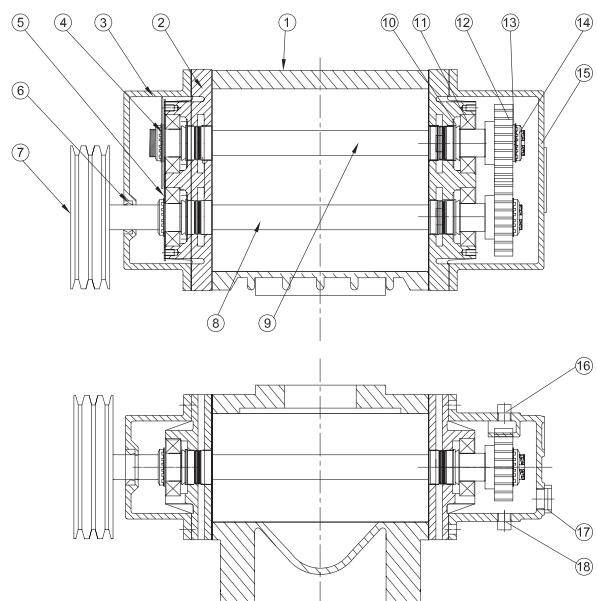
三叶罗茨风机

Three-lobe roots blower

结构简图 Construction

| NO. | 名称 | Name | 材质 Material | |
|-----|-------|--------------------|-------------|----------|
| | | | GB | JIS |
| 1 | 鼓风机本体 | Casing | HT250 | FC250 |
| 2 | 轴承座 | Bearing housing | HT250 | FC250 |
| 3 | 油箱 | Oil box | HT250 | FC250 |
| 4 | 甩油片 | Oil splash | Q235 | SS400 |
| 5 | 轴承固定片 | Bearing washer | Q235 | SS400 |
| 6 | 骨架油封 | Framework oil seal | Viton | Viton |
| 7 | 皮带轮 | Pulley | HT250 | FC250 |
| 8 | 主动叶轮 | Drive rotor | Assembly | Assembly |
| 9 | 被动叶轮 | Driven rotor | Assembly | Assembly |
| 10 | V型油封 | V-ring | Viton | Viton |
| 11 | 轴承 | Bearing | GCr15 | SUJ2 |
| 12 | 齿轮 | Gear | 20CrMnTi | 20CrMnTi |
| 13 | 止动垫圈 | Lock washer | Q235 | SS400 |
| 14 | 止动螺母 | Lock nut | 45 | S45C |
| 15 | 齿轮箱 | Gear box | HT250 | FC250 |
| 16 | 加油栓塞 | Lubrication plug | 45 | S45C |
| 17 | 润滑油面计 | Oil gauge | Assembly | Assembly |
| 18 | 泄油栓塞 | Purge plug | 45 | S45C |

注：不同机型结构略有不同。
Note: Different model has a little difference.



单位换算表 Conversion table

| PRESSURE | atm | kPa | bar | lbt/in ² (psi) | kgf/cm ² | in Hg | ftAq | mmHg(Torr) | mmAq |
|-----------------------------|----------|---------|----------|---------------------------|---------------------|--------|--------|------------|-------|
| 1 atm | 1 | 101.325 | 1.01325 | 14.696 | 1.0333 | 29.921 | 33.914 | 760 | 10333 |
| 1 kPa | 0.0099 | 1 | 0.01 | 0.145 | 0.0102 | 0.295 | 0.335 | 7.5 | 102 |
| 1 bar | 0.9869 | 100 | 1 | 14.504 | 1.0198 | 29.53 | 33.47 | 750 | 10198 |
| 1 lbt/in ² (psi) | 0.068 | 6.894 | 0.0689 | 1 | 0.0703 | 2.036 | 2.308 | 51.71 | 703 |
| 1 kgf/cm ² | 0.968 | 98.062 | 0.981 | 14.228 | 1 | 28.96 | 32.82 | 735.53 | 10000 |
| 1 inHg | 0.0334 | 33863 | 0.0339 | 0.491 | 0.0345 | 1 | 1.133 | 25.4 | 345.3 |
| 1 ftAq | 0.0295 | 2.99 | 0.0299 | 0.434 | 0.0305 | 0.882 | 1 | 22.42 | 304.8 |
| 1 mmHg(Torr) | 0.013 | 0.1338 | 0.00138 | 0.019 | 0.0014 | 0.04 | 0.045 | 1 | 13.6 |
| 1 mmAq | 0.000097 | 0.0098 | 0.000098 | 0.0014 | 0.0001 | 0.003 | 0.0033 | 0.074 | 1 |

| CAPACITY | m ³ /min | l/min | cm ³ /s | in ³ /s | ft ³ /min(cfm) |
|-----------------------------|---------------------|-------|--------------------|--------------------|---------------------------|
| 1 m ³ /min | 1 | 1000 | 16667 | 1016 | 35.288 |
| 1 l/min | 0.001 | 1 | 16.67 | 1.02 | 0.0353 |
| 1 cm ³ /s | 0.00006 | 0.06 | 1 | 0.061 | 0.02 |
| 1 in ³ /s | 0.00098 | 0.983 | 16.39 | 1 | 0.035 |
| 1 ft ³ /min(cfm) | 0.028 | 28.32 | 471.95 | 28.8 | 1 |

压力常用换算公式

Pressure Conversion Formula

1 kPa=1000Pa=1000N/m²

1mbar=10.198mmAq

1mmHg(Torr)=133.8Pa

性能表使用须知 Working directions of performance table

- 性能参数表示鼓风机之型式、口径、回转数、吐出压力、实际进口风量、轴动力。
- 性能参数为标准吸入状态之空气量(温度20℃, 绝对压力1.0332kgf/cm², 相对湿度65%)。
- 基准状态(温度0℃, 绝对压力1.0332kgf/cm²)的风量, 一般以Nm³/min表示。
- 不同状态进口风量的换算:

$$Q_2 = Q_1 \times \frac{P_1}{P_2} \times \frac{273+T_2}{273+T_1}$$
 Q₁: 绝对压力P₁(mmAq) 摄氏温度T₁(°C)状态的风量(m³/min)
 Q₂: 绝对压力P₂(mmAq) 摄氏温度T₂(°C)状态的风量(m³/min)
- 电机功率一般为轴功率的1.1~1.3倍。
- 性能参数误差约5%。

- The performance parameter indicate the type, caliber, revolutions, discharge pressure, actual inlet air capacity and shaft power of the blower.
- The performance parameter indicate the air quantity in standard suction condition (20℃ temperature, absolute pressure 1.0332 kgf/cm² and relative humidity 65%) .
- The reference air capacity (0℃ temperature and absolute pressure 1.0332kgf/cm²) is generally indicated in Nm³/min.
- The inlet air capacity can be converted as following.

$$Q_2 = Q_1 \times \frac{P_1}{P_2} \times \frac{273+T_2}{273+T_1}$$
 Q₁: Air capacity (m³/min) based on absolute pressure P₁(mmAq) and temperature T₁(°C)
 Q₂: Air capacity (m³/min) based on absolute pressure P₂(mmAq) and temperature T₂(°C)
- The motor power is 1.1~1.3 multiple of shaft power.
- The error of the parameter is about 5%.



性能参数 Performance parameters

Qs(m³/min) Pressure(mmAq) La(kW)

| 型号 Type | 转速 RPM | 1000mmAq | | 2000mmAq | | 3000mmAq | | 4000mmAq | | 5000mmAq | | 6000mmAq | | 7000mmAq | | 8000mmAq | |
|------------|-----------|----------|------|----------|------|----------|------|----------|------|----------|------|----------|-------|----------|-------|----------|-------|
| | | Qs | La | Qs | La | Qs | La | Qs | La | Qs | La | Qs | La | Qs | La | Qs | La |
| GRB-40 | 850 | 1.02 | 0.23 | 0.85 | 0.47 | 0.67 | 0.70 | 0.46 | 0.94 | 0.23 | 1.17 | - | - | - | - | - | - |
| | 950 | 1.18 | 0.26 | 1.00 | 0.53 | 0.83 | 0.79 | 0.60 | 1.05 | 0.44 | 1.31 | - | - | - | - | - | - |
| | 1050 | 1.33 | 0.29 | 1.16 | 0.58 | 0.99 | 0.87 | 0.75 | 1.16 | 0.62 | 1.45 | - | - | - | - | - | - |
| | 1150 | 1.49 | 0.32 | 1.31 | 0.64 | 1.14 | 0.95 | 0.89 | 1.27 | 0.76 | 1.59 | - | - | - | - | - | - |
| | 1250 | 1.64 | 0.35 | 1.47 | 0.69 | 1.30 | 1.04 | 1.12 | 1.38 | 0.90 | 1.73 | 0.90 | 2.07 | 0.67 | 2.42 | 0.52 | 2.76 |
| | 1350 | 1.80 | 0.37 | 1.62 | 0.75 | 1.45 | 1.12 | 1.28 | 1.49 | 1.16 | 1.87 | 1.05 | 2.24 | 0.99 | 2.61 | 0.82 | 2.99 |
| | 1450 | 1.96 | 0.4 | 1.78 | 0.80 | 1.61 | 1.20 | 1.43 | 1.60 | 1.31 | 2.00 | 1.21 | 2.40 | 1.15 | 2.81 | 1.11 | 3.21 |
| | 1550 | 2.11 | 0.43 | 1.93 | 0.86 | 1.76 | 1.29 | 1.59 | 1.71 | 1.47 | 2.14 | 1.37 | 2.57 | 1.30 | 3.00 | 1.26 | 3.43 |
| | 1650 | 2.27 | 0.46 | 2.09 | 0.91 | 1.92 | 1.37 | 1.74 | 1.82 | 1.63 | 2.28 | 1.52 | 2.74 | 1.46 | 3.19 | 1.42 | 3.65 |
| | 1750 | 2.42 | 0.48 | 2.25 | 0.97 | 2.08 | 1.45 | 1.90 | 1.93 | 1.78 | 2.42 | 1.68 | 2.90 | 1.61 | 3.39 | 1.57 | 3.87 |
| | 1850 | 2.58 | 0.51 | 2.40 | 1.02 | 2.23 | 1.53 | 2.06 | 2.05 | 1.94 | 2.56 | 1.83 | 3.07 | 1.77 | 3.58 | 1.73 | 4.09 |
| 1950 | 2.73 | 0.54 | 2.56 | 1.08 | 2.39 | 1.62 | 2.21 | 2.16 | 2.09 | 2.70 | 1.99 | 3.23 | 1.92 | 3.77 | 1.88 | 4.31 | |
| GRB-50 | 850 | 1.63 | 0.39 | 1.29 | 0.78 | 0.96 | 1.17 | 0.73 | 1.57 | 0.57 | 1.96 | - | - | - | - | - | - |
| | 950 | 1.89 | 0.44 | 1.55 | 0.88 | 1.22 | 1.31 | 0.99 | 1.75 | 0.83 | 2.19 | 0.67 | 2.63 | - | - | - | - |
| | 1050 | 2.14 | 0.48 | 1.81 | 0.97 | 1.48 | 1.45 | 1.25 | 1.93 | 1.09 | 2.42 | 0.91 | 2.90 | 0.88 | 3.39 | 0.80 | - |
| | 1150 | 2.40 | 0.53 | 2.07 | 1.06 | 1.74 | 1.59 | 1.51 | 2.12 | 1.35 | 2.65 | 1.15 | 3.18 | 1.15 | 3.71 | 1.06 | 4.24 |
| | 1250 | 2.66 | 0.58 | 2.33 | 1.15 | 2.00 | 1.73 | 1.77 | 2.30 | 1.61 | 2.88 | 1.45 | 3.46 | 1.43 | 4.03 | 1.32 | 4.61 |
| | 1350 | 2.92 | 0.62 | 2.59 | 1.24 | 2.26 | 1.87 | 2.03 | 2.49 | 1.87 | 3.11 | 1.77 | 3.73 | 1.72 | 4.35 | 1.58 | 4.98 |
| | 1450 | 3.18 | 0.67 | 2.84 | 1.34 | 2.52 | 2.00 | 2.29 | 2.67 | 2.13 | 3.34 | 2.03 | 4.01 | 1.98 | 4.68 | 1.84 | 5.34 |
| | 1550 | 3.44 | 0.71 | 3.10 | 1.43 | 2.78 | 2.14 | 2.54 | 2.86 | 2.39 | 3.57 | 2.29 | 4.28 | 2.24 | 5.00 | 2.10 | 5.71 |
| | 1650 | 3.52 | 0.76 | 3.36 | 1.52 | 3.03 | 2.28 | 2.80 | 3.04 | 2.65 | 3.80 | 2.55 | 4.56 | 2.50 | 5.32 | 2.36 | 6.08 |
| | 1750 | 3.76 | 0.81 | 3.62 | 1.61 | 3.29 | 2.42 | 3.06 | 3.22 | 2.91 | 4.03 | 2.81 | 4.84 | 2.76 | 5.64 | 2.62 | 6.45 |
| | 1850 | 4.01 | 0.85 | 3.88 | 1.70 | 3.55 | 2.56 | 3.32 | 3.41 | 3.17 | 4.26 | 3.07 | 5.11 | 3.02 | 5.97 | 2.87 | 6.82 |
| 1950 | 4.26 | 0.90 | 4.14 | 1.80 | 3.81 | 2.70 | 3.58 | 3.59 | 3.43 | 4.49 | 3.32 | 5.39 | 3.28 | 6.29 | 3.13 | 7.19 | |
| GRB-65 | 850 | 2.15 | 0.51 | 2.04 | 1.02 | 1.76 | 1.53 | 1.65 | 2.04 | 1.49 | 2.55 | - | - | - | - | - | - |
| | 950 | 2.48 | 0.57 | 2.40 | 1.14 | 2.10 | 1.71 | 1.98 | 2.28 | 1.83 | 2.84 | 1.71 | 3.41 | 1.62 | 3.98 | - | - |
| | 1050 | 2.82 | 0.63 | 2.77 | 1.26 | 2.43 | 1.89 | 2.32 | 2.52 | 2.17 | 3.14 | 2.04 | 3.77 | 1.95 | 4.40 | 1.81 | 5.03 |
| | 1150 | 3.16 | 0.69 | 3.13 | 1.38 | 2.77 | 2.07 | 2.66 | 2.75 | 2.50 | 3.44 | 2.38 | 4.13 | 2.29 | 4.82 | 2.15 | 5.51 |
| | 1250 | 3.49 | 0.75 | 3.24 | 1.50 | 3.11 | 2.25 | 3.00 | 2.99 | 2.84 | 3.74 | 2.72 | 4.49 | 2.63 | 5.24 | 2.49 | 5.99 |
| | 1350 | 3.83 | 0.81 | 3.57 | 1.62 | 3.45 | 2.43 | 3.33 | 3.23 | 3.18 | 4.04 | 3.06 | 4.85 | 2.97 | 5.66 | 2.82 | 6.47 |
| | 1450 | 4.17 | 0.87 | 3.91 | 1.74 | 3.78 | 2.61 | 3.67 | 3.47 | 3.52 | 4.34 | 3.39 | 5.21 | 3.30 | 6.08 | 3.16 | 6.95 |
| | 1550 | 4.51 | 0.93 | 4.25 | 1.86 | 4.12 | 2.78 | 4.01 | 3.71 | 3.85 | 4.64 | 3.73 | 5.57 | 3.64 | 6.50 | 3.50 | 7.43 |
| | 1650 | 4.84 | 0.99 | 4.59 | 1.98 | 4.46 | 2.96 | 4.35 | 3.95 | 4.19 | 4.94 | 4.07 | 5.93 | 3.98 | 6.92 | 3.83 | 7.91 |
| | 1750 | 5.18 | 1.05 | 4.92 | 2.10 | 4.79 | 3.14 | 4.68 | 4.19 | 4.53 | 5.24 | 4.41 | 6.29 | 4.32 | 7.34 | 4.17 | 8.38 |
| | 1850 | 5.52 | 1.11 | 5.26 | 2.22 | 5.13 | 3.32 | 5.02 | 4.43 | 4.87 | 5.54 | 4.74 | 6.65 | 4.65 | 7.76 | 4.51 | 8.86 |
| 1950 | 5.86 | 1.17 | 5.60 | 2.34 | 5.47 | 3.50 | 5.36 | 4.67 | 5.20 | 5.84 | 5.08 | 7.01 | 4.99 | 8.17 | 4.85 | 9.34 | |
| GRB-80 | 800 | 3.83 | 0.85 | 3.41 | 1.70 | 3.06 | 2.55 | 2.59 | 3.40 | 2.26 | 4.25 | - | - | - | - | - | - |
| | 900 | 4.42 | 0.96 | 4.01 | 1.91 | 3.66 | 2.87 | 3.19 | 3.83 | 2.86 | 4.78 | 2.57 | 5.74 | 2.15 | 6.70 | - | - |
| | 1000 | 5.02 | 1.06 | 4.61 | 2.13 | 4.26 | 3.19 | 3.79 | 4.25 | 3.46 | 5.32 | 3.17 | 6.38 | 2.75 | 7.44 | 2.33 | 8.50 |
| | 1100 | 5.62 | 1.17 | 5.20 | 2.34 | 4.86 | 3.51 | 4.39 | 4.68 | 4.06 | 5.85 | 3.77 | 7.02 | 3.35 | 8.19 | 2.93 | 9.35 |
| | 1200 | 6.22 | 1.28 | 5.80 | 2.55 | 5.46 | 3.83 | 4.99 | 5.10 | 4.66 | 6.38 | 4.36 | 7.65 | 3.95 | 8.93 | 3.53 | 10.21 |
| | 1300 | 6.82 | 1.38 | 6.40 | 2.76 | 6.05 | 4.15 | 5.59 | 5.53 | 5.26 | 6.91 | 4.96 | 8.29 | 4.55 | 9.67 | 4.13 | 11.06 |
| | 1400 | 7.42 | 1.49 | 7.00 | 2.98 | 6.65 | 4.46 | 6.19 | 5.95 | 5.86 | 7.44 | 5.56 | 8.93 | 5.15 | 10.42 | 4.73 | 11.91 |
| | 1500 | 8.02 | 1.59 | 7.60 | 3.19 | 7.25 | 4.78 | 6.79 | 6.38 | 6.45 | 7.97 | 6.16 | 9.57 | 5.75 | 11.16 | 5.33 | 12.76 |
| | 1600 | 8.62 | 1.70 | 8.20 | 3.40 | 7.85 | 5.10 | 7.38 | 6.80 | 7.05 | 8.50 | 6.76 | 10.21 | 6.34 | 11.91 | 5.93 | 13.61 |
| | 1650 | 8.92 | 1.75 | 8.50 | 3.51 | 8.15 | 5.26 | 7.68 | 7.02 | 7.35 | 8.77 | 7.06 | 10.52 | 6.64 | 12.28 | 6.23 | 14.03 |



性能参数 Performance parameters

Qs(m³/min) Pressure(mmAq) La(kW)

| 型号 Type | 转速 RPM | 1000mmAq | | 2000mmAq | | 3000mmAq | | 4000mmAq | | 5000mmAq | | 6000mmAq | | 7000mmAq | | 8000mmAq | | |
|------------|-----------|----------|------|----------|-------|----------|-------|----------|-------|----------|-------|----------|-------|----------|-------|----------|-------|---|
| | | Qs | La | Qs | La | Qs | La | Qs | La | Qs | La | Qs | La | Qs | La | Qs | La | |
| GRB-80 | 1750 | 9.51 | 1.86 | 9.10 | 3.72 | 8.75 | 5.58 | 8.28 | 7.44 | 7.95 | 9.30 | 7.66 | 11.16 | 7.24 | 13.02 | 6.82 | 14.88 | |
| | 1850 | 10.11 | 1.97 | 9.70 | 3.93 | 9.35 | 5.90 | 8.88 | 7.87 | 8.55 | 9.83 | 8.26 | 11.80 | 7.84 | 13.77 | 7.42 | 15.73 | |
| | 1950 | 10.71 | 2.07 | 10.29 | 4.15 | 9.95 | 6.22 | 9.48 | 8.29 | 9.15 | 10.36 | 8.85 | 12.44 | 8.44 | 14.51 | 8.02 | 16.58 | |
| GRB-100 | 850 | 5.69 | 1.19 | 5.10 | 2.38 | 4.52 | 3.57 | 4.19 | 4.76 | 3.96 | 5.95 | - | - | - | - | - | - | |
| | 950 | 6.53 | 1.34 | 5.94 | 2.68 | 5.36 | 4.02 | 5.03 | 5.36 | 4.79 | 6.70 | 4.65 | 8.04 | 4.32 | 9.38 | - | - | |
| | 1000 | 7.37 | 1.49 | 6.77 | 2.98 | 6.20 | 4.46 | 5.87 | 5.95 | 5.63 | 7.44 | 5.49 | 8.93 | 5.16 | 10.42 | 5.02 | 11.91 | |
| | 1100 | 8.21 | 1.64 | 7.61 | 3.27 | 7.04 | 4.91 | 6.71 | 6.55 | 6.47 | 8.19 | 6.33 | 9.82 | 6.00 | 11.46 | 5.86 | 13.10 | |
| | 1200 | 9.04 | 1.79 | 8.45 | 3.57 | 7.87 | 5.36 | 7.55 | 7.14 | 7.31 | 8.93 | 7.17 | 10.72 | 6.83 | 12.50 | 6.69 | 14.29 | |
| | 1300 | 9.88 | 1.93 | 9.29 | 3.87 | 8.71 | 5.80 | 8.38 | 7.74 | 8.15 | 9.67 | 8.01 | 11.61 | 7.67 | 13.54 | 7.53 | 15.48 | |
| | 1400 | 10.72 | 2.08 | 10.13 | 4.17 | 9.55 | 6.25 | 9.22 | 8.33 | 8.99 | 10.42 | 8.84 | 12.50 | 8.51 | 14.59 | 8.37 | 16.67 | |
| | 1500 | 11.56 | 2.23 | 10.97 | 4.46 | 10.39 | 6.70 | 10.06 | 8.93 | 9.82 | 11.16 | 9.68 | 13.39 | 9.35 | 15.63 | 9.21 | 17.86 | |
| | 1600 | 12.40 | 2.38 | 11.80 | 4.76 | 11.23 | 7.14 | 10.90 | 9.52 | 10.66 | 11.91 | 10.52 | 14.29 | 10.19 | 16.67 | 10.05 | 19.05 | |
| | 1650 | 12.82 | 2.46 | 12.22 | 4.91 | 11.65 | 7.37 | 11.32 | 9.82 | 11.08 | 12.28 | 10.94 | 14.73 | 10.61 | 17.19 | 10.47 | 19.65 | |
| | 1750 | 13.65 | 2.60 | 13.06 | 5.21 | 12.49 | 7.81 | 12.16 | 10.42 | 11.92 | 13.02 | 11.78 | 15.63 | 11.45 | 18.23 | 11.30 | 20.84 | |
| | 1850 | 14.49 | 2.75 | 13.90 | 5.51 | 13.32 | 8.26 | 12.99 | 11.01 | 12.76 | 13.77 | 12.62 | 16.52 | 12.28 | 19.27 | 12.14 | 22.03 | |
| | 1950 | 15.33 | 2.90 | 14.74 | 5.80 | 14.16 | 8.71 | 13.83 | 11.61 | 13.60 | 14.51 | 13.45 | 17.41 | 13.12 | 20.31 | 12.98 | 23.22 | |
| | GRB-125A | 780 | 8.29 | 1.70 | 7.60 | 3.40 | 6.98 | 5.10 | 6.28 | 6.80 | 5.55 | 8.50 | 5.11 | 10.21 | - | - | - | - |
| | | 830 | 8.90 | 1.81 | 8.22 | 3.62 | 7.59 | 5.43 | 6.89 | 7.24 | 6.16 | 9.05 | 5.72 | 10.86 | - | - | - | - |
| 880 | | 9.52 | 1.92 | 8.83 | 3.84 | 8.21 | 5.76 | 7.51 | 7.68 | 6.78 | 9.59 | 6.34 | 11.51 | 5.97 | 13.43 | - | - | |
| 990 | | 10.87 | 2.16 | 10.18 | 4.32 | 9.56 | 6.48 | 8.86 | 8.64 | 8.13 | 10.79 | 7.69 | 12.95 | 7.32 | 15.11 | 6.81 | 17.27 | |
| 1050 | | 11.61 | 2.29 | 10.92 | 4.58 | 10.30 | 6.87 | 9.59 | 9.16 | 8.86 | 11.45 | 8.42 | 13.74 | 8.06 | 16.03 | 7.55 | 18.32 | |
| 1100 | | 12.22 | 2.40 | 11.53 | 4.80 | 10.91 | 7.20 | 10.21 | 9.59 | 9.48 | 11.99 | 9.04 | 14.39 | 8.67 | 16.79 | 8.17 | 19.19 | |
| 1180 | | 13.20 | 2.57 | 12.51 | 5.15 | 11.89 | 7.72 | 11.19 | 10.29 | 10.46 | 12.87 | 10.02 | 15.44 | 9.65 | 18.01 | 9.15 | 20.59 | |
| 1250 | | 14.06 | 2.73 | 13.37 | 5.45 | 12.75 | 8.18 | 12.05 | 10.90 | 11.32 | 13.63 | 10.88 | 16.35 | 10.51 | 19.08 | 10.01 | 21.81 | |
| 1320 | | 14.92 | 2.88 | 14.23 | 5.76 | 13.61 | 8.64 | 12.91 | 11.51 | 12.18 | 14.39 | 11.74 | 17.27 | 11.37 | 20.15 | 10.87 | 23.03 | |
| 1390 | | 15.78 | 3.03 | 15.09 | 6.06 | 14.47 | 9.09 | 13.77 | 12.12 | 13.04 | 15.16 | 12.60 | 18.19 | 12.23 | 21.22 | 11.73 | 24.25 | |
| 1470 | | 16.77 | 3.21 | 16.08 | 6.41 | 15.45 | 9.62 | 14.75 | 12.82 | 14.02 | 16.03 | 13.58 | 19.23 | 13.21 | 22.44 | 12.71 | 25.64 | |
| 1560 | | 17.87 | 3.40 | 17.18 | 6.80 | 16.56 | 10.21 | 15.86 | 13.61 | 15.13 | 17.01 | 14.69 | 20.41 | 14.32 | 23.81 | 13.82 | 27.21 | |
| 1650 | | 18.98 | 3.60 | 18.29 | 7.20 | 17.66 | 10.79 | 16.96 | 14.39 | 16.23 | 17.99 | 15.79 | 21.59 | 15.42 | 25.19 | 14.92 | 28.78 | |
| 1750 | | 20.20 | 3.82 | 19.52 | 7.63 | 18.89 | 11.45 | 18.19 | 15.26 | 17.46 | 19.08 | 17.02 | 22.90 | 16.65 | 26.71 | 16.15 | 30.53 | |
| 1850 | | 21.43 | 4.03 | 20.74 | 8.07 | 20.12 | 12.10 | 19.42 | 16.14 | 18.69 | 20.17 | 18.25 | 24.21 | 17.88 | 28.24 | 17.38 | 32.27 | |
| GRB-125 | 780 | 11.73 | 2.49 | 10.57 | 4.97 | 9.79 | 7.46 | 8.94 | 9.94 | 8.51 | 12.43 | 7.88 | 14.92 | - | - | - | - | |
| | 830 | 12.63 | 2.65 | 11.47 | 5.29 | 10.69 | 7.94 | 9.83 | 10.58 | 9.40 | 13.23 | 8.78 | 15.87 | - | - | - | - | |
| | 880 | 13.53 | 2.80 | 12.37 | 5.61 | 11.59 | 8.41 | 10.73 | 11.22 | 10.30 | 14.02 | 9.67 | 16.83 | 9.61 | 19.63 | - | - | |
| | 990 | 15.50 | 3.16 | 14.34 | 6.31 | 13.56 | 9.47 | 12.71 | 12.62 | 12.28 | 15.78 | 11.65 | 18.93 | 11.59 | 22.09 | 10.94 | 25.24 | |
| | 1050 | 16.58 | 3.35 | 15.42 | 6.69 | 14.64 | 10.04 | 13.78 | 13.39 | 13.35 | 16.73 | 12.72 | 20.08 | 12.66 | 23.43 | 12.02 | 26.77 | |
| | 1100 | 17.48 | 3.51 | 16.32 | 7.01 | 15.54 | 10.52 | 14.68 | 14.02 | 14.25 | 17.53 | 13.62 | 21.04 | 13.56 | 24.54 | 12.92 | 28.05 | |
| | 1180 | 18.92 | 3.76 | 17.76 | 7.52 | 16.97 | 11.28 | 16.12 | 15.04 | 15.69 | 18.80 | 15.06 | 22.56 | 15.00 | 26.33 | 14.35 | 30.09 | |
| | 1250 | 20.17 | 3.98 | 19.01 | 7.97 | 18.23 | 11.95 | 17.37 | 15.94 | 16.94 | 19.92 | 16.31 | 23.90 | 16.25 | 27.89 | 15.61 | 31.87 | |
| | 1320 | 21.43 | 4.21 | 20.27 | 8.41 | 19.49 | 12.62 | 18.63 | 16.83 | 18.20 | 21.04 | 17.57 | 25.24 | 17.51 | 29.45 | 16.87 | 33.66 | |
| | 1390 | 22.69 | 4.43 | 21.53 | 8.86 | 20.74 | 13.29 | 19.89 | 17.72 | 19.46 | 22.15 | 18.83 | 26.58 | 18.77 | 31.01 | 18.12 | 35.44 | |
| | 1470 | 24.12 | 4.69 | 22.96 | 9.37 | 22.18 | 14.06 | 21.32 | 18.74 | 20.89 | 23.43 | 20.26 | 28.11 | 20.20 | 32.08 | 19.56 | 37.48 | |
| | 1560 | 25.74 | 4.97 | 24.58 | 9.94 | 23.79 | 14.92 | 22.94 | 19.89 | 22.51 | 24.86 | 21.88 | 29.83 | 21.82 | 34.80 | 21.17 | 39.78 | |
| | 1650 | 27.35 | 5.26 | 26.19 | 10.52 | 25.41 | 15.78 | 24.55 | 21.04 | 24.12 | 26.29 | 23.50 | 31.55 | 23.43 | 36.81 | 22.79 | 42.07 | |
| | 1750 | 29.15 | 5.58 | 27.99 | 11.15 | 27.20 | 16.73 | 26.35 | 22.31 | 25.92 | 27.89 | 25.29 | 33.46 | 25.23 | 39.04 | 24.59 | 44.62 | |
| | 1850 | 30.94 | 5.90 | 29.78 | 11.79 | 29.00 | 17.69 | 28.14 | 23.58 | 27.71 | 29.48 | 27.09 | 35.38 | 27.02 | 41.27 | 26.38 | 47.17 | |



性能参数 Performance parameters

Qs(m³/min) Pressure(mmAq) La(kW)

| 型号 Type | 转速 RPM | 1000mmAq | | 2000mmAq | | 3000mmAq | | 4000mmAq | | 5000mmAq | | 6000mmAq | | 7000mmAq | | 8000mmAq | |
|------------|-----------|----------|-------|----------|-------|----------|-------|----------|-------|----------|-------|----------|-------|----------|-------|----------|-------|
| | | Qs | La | Qs | La | Qs | La | Qs | La | Qs | La | Qs | La | Qs | La | Qs | La |
| GRB-150 | 780 | 15.04 | 3.21 | 13.49 | 6.41 | 12.70 | 9.62 | 11.98 | 12.82 | 11.51 | 16.03 | 10.79 | 19.23 | - | - | - | - |
| | 830 | 16.20 | 3.41 | 14.65 | 6.82 | 13.86 | 10.23 | 13.13 | 13.64 | 12.66 | 17.06 | 11.95 | 20.47 | - | - | - | - |
| | 880 | 17.36 | 3.62 | 15.81 | 7.23 | 15.02 | 10.85 | 14.29 | 14.47 | 13.82 | 18.08 | 13.11 | 21.70 | 12.51 | 25.32 | 12.04 | 28.93 |
| | 990 | 19.90 | 4.07 | 18.35 | 8.14 | 17.56 | 12.21 | 16.84 | 16.27 | 16.37 | 20.34 | 15.65 | 24.41 | 15.05 | 28.48 | 14.58 | 32.55 |
| | 1050 | 21.29 | 4.32 | 19.74 | 8.63 | 18.95 | 12.95 | 18.23 | 17.26 | 17.76 | 21.58 | 17.04 | 25.89 | 16.44 | 30.21 | 15.97 | 34.52 |
| | 1100 | 22.45 | 4.52 | 20.90 | 9.04 | 20.11 | 13.56 | 19.38 | 18.08 | 18.91 | 22.60 | 18.20 | 27.12 | 17.60 | 31.64 | 17.13 | 36.17 |
| | 1180 | 24.30 | 4.85 | 22.75 | 9.70 | 21.96 | 14.55 | 21.23 | 19.40 | 20.77 | 24.25 | 20.05 | 29.10 | 19.45 | 33.95 | 18.98 | 38.80 |
| | 1250 | 25.92 | 5.14 | 24.37 | 10.27 | 23.58 | 15.41 | 22.86 | 20.55 | 22.39 | 25.69 | 21.67 | 30.82 | 21.07 | 35.96 | 20.60 | 41.10 |
| | 1320 | 27.54 | 5.42 | 25.99 | 10.85 | 25.20 | 16.27 | 24.48 | 21.70 | 24.01 | 27.12 | 23.29 | 32.55 | 22.69 | 37.97 | 22.22 | 43.40 |
| | 1390 | 29.16 | 5.71 | 27.61 | 11.42 | 26.82 | 17.14 | 26.10 | 22.85 | 25.63 | 28.56 | 24.91 | 34.27 | 24.31 | 39.99 | 23.84 | 45.70 |
| | 1470 | 31.02 | 6.04 | 29.46 | 12.08 | 28.68 | 18.12 | 27.95 | 24.17 | 27.48 | 30.21 | 26.76 | 36.25 | 26.17 | 42.29 | 25.69 | 48.33 |
| | 1560 | 33.10 | 6.41 | 31.55 | 12.82 | 30.76 | 19.23 | 30.03 | 25.64 | 29.56 | 32.06 | 28.85 | 38.47 | 28.25 | 44.88 | 27.78 | 51.29 |
| | 1650 | 35.18 | 6.78 | 33.63 | 13.56 | 32.84 | 20.34 | 32.11 | 27.12 | 31.65 | 33.91 | 30.93 | 40.69 | 30.33 | 47.47 | 29.86 | 54.25 |
| | 1750 | 37.50 | 7.19 | 35.95 | 14.38 | 35.16 | 21.58 | 34.43 | 28.77 | 33.96 | 35.96 | 33.24 | 43.15 | 32.65 | 50.34 | 32.18 | 57.54 |
| | 1850 | 39.81 | 7.60 | 38.26 | 15.21 | 37.47 | 22.81 | 36.74 | 30.41 | 36.28 | 38.01 | 35.56 | 45.62 | 34.96 | 53.22 | 34.49 | 60.82 |
| GRB-200A | 620 | 18.86 | 4.09 | 17.50 | 8.18 | 16.52 | 12.27 | 15.65 | 16.36 | 14.87 | 20.46 | - | - | - | - | - | - |
| | 660 | 20.22 | 4.36 | 18.95 | 8.71 | 17.98 | 13.07 | 17.11 | 17.42 | 16.33 | 21.78 | - | - | - | - | - | - |
| | 700 | 21.68 | 4.62 | 20.41 | 9.24 | 19.34 | 13.86 | 18.47 | 18.48 | 17.69 | 23.10 | 17.01 | 27.71 | - | - | - | - |
| | 740 | 23.13 | 4.88 | 21.77 | 9.77 | 20.80 | 14.65 | 19.93 | 19.53 | 19.14 | 24.42 | 18.47 | 29.30 | - | - | - | - |
| | 780 | 24.59 | 5.15 | 23.23 | 10.29 | 22.26 | 15.44 | 21.28 | 20.59 | 20.61 | 25.74 | 19.73 | 30.88 | 19.25 | 36.03 | - | - |
| | 830 | 26.34 | 5.48 | 24.98 | 10.95 | 24.01 | 16.43 | 23.13 | 21.91 | 22.36 | 27.38 | 21.68 | 32.86 | 21.09 | 38.34 | - | - |
| | 880 | 28.09 | 5.81 | 26.73 | 11.61 | 25.76 | 17.42 | 24.88 | 23.23 | 24.11 | 29.03 | 23.43 | 34.84 | 22.84 | 40.65 | 22.10 | 46.46 |
| | 930 | 29.94 | 6.14 | 28.58 | 12.27 | 27.89 | 18.41 | 26.73 | 24.55 | 25.95 | 30.68 | 25.27 | 36.82 | 24.59 | 42.96 | 23.92 | 49.09 |
| | 990 | 32.08 | 6.53 | 30.72 | 13.07 | 29.74 | 19.60 | 28.87 | 26.13 | 28.10 | 32.66 | 27.41 | 39.20 | 26.73 | 45.73 | 26.00 | 52.26 |
| | 1050 | 34.21 | 6.93 | 32.85 | 13.86 | 31.88 | 20.79 | 31.01 | 27.71 | 30.23 | 34.64 | 29.55 | 41.57 | 28.87 | 48.50 | 28.24 | 55.43 |
| | 1110 | 36.35 | 7.32 | 34.99 | 14.65 | 34.02 | 21.97 | 33.15 | 29.30 | 32.37 | 36.62 | 31.69 | 43.95 | 31.01 | 51.27 | 30.32 | 58.60 |
| | 1180 | 38.78 | 7.79 | 37.52 | 15.57 | 36.45 | 23.36 | 35.58 | 31.15 | 34.90 | 38.93 | 34.12 | 46.72 | 33.53 | 54.51 | 32.83 | 62.29 |
| | 1250 | 41.31 | 8.25 | 39.95 | 16.50 | 38.98 | 24.75 | 38.10 | 32.99 | 37.33 | 41.24 | 36.64 | 49.49 | 36.06 | 57.74 | 35.41 | 65.99 |
| | 1320 | 43.84 | 8.71 | 42.48 | 17.42 | 41.41 | 26.13 | 40.63 | 34.84 | 39.85 | 43.55 | 39.17 | 52.26 | 38.49 | 60.97 | 37.80 | 69.68 |
| | 1390 | 46.27 | 9.17 | 45.00 | 18.34 | 43.93 | 27.52 | 43.06 | 36.69 | 42.28 | 45.86 | 41.60 | 55.03 | 41.02 | 64.21 | 40.31 | 73.38 |
| GRB-200 | 620 | 24.30 | 5.26 | 22.60 | 10.52 | 21.20 | 15.78 | 20.10 | 21.04 | 19.20 | 26.30 | - | - | - | - | - | - |
| | 660 | 26.10 | 5.60 | 24.40 | 11.20 | 23.10 | 16.80 | 22.00 | 22.40 | 21.00 | 28.00 | 20.10 | 33.60 | - | - | - | - |
| | 700 | 27.90 | 5.94 | 26.20 | 11.88 | 24.90 | 17.82 | 23.80 | 23.76 | 22.80 | 29.69 | 21.90 | 35.63 | - | - | - | - |
| | 740 | 29.80 | 6.28 | 28.10 | 12.56 | 26.70 | 18.83 | 25.60 | 25.11 | 24.70 | 31.39 | 23.70 | 37.67 | - | - | - | - |
| | 780 | 31.60 | 6.62 | 29.90 | 13.24 | 28.60 | 19.85 | 27.50 | 26.47 | 26.50 | 33.09 | 25.60 | 39.71 | 24.80 | 46.32 | - | - |
| | 830 | 33.90 | 7.04 | 32.20 | 14.08 | 30.80 | 21.13 | 29.70 | 28.17 | 28.70 | 35.21 | 27.90 | 42.25 | 27.10 | 49.29 | 26.40 | 56.33 |
| | 880 | 36.20 | 7.47 | 34.40 | 14.93 | 33.10 | 22.40 | 32.00 | 29.86 | 31.10 | 37.33 | 30.20 | 44.80 | 29.40 | 52.26 | 28.70 | 59.73 |
| | 930 | 38.50 | 7.89 | 36.80 | 15.78 | 35.40 | 23.67 | 34.30 | 31.56 | 33.40 | 39.45 | 32.50 | 47.34 | 31.70 | 55.23 | 31.00 | 63.12 |
| | 990 | 41.20 | 8.40 | 39.50 | 16.80 | 38.20 | 25.20 | 37.10 | 33.60 | 36.10 | 42.00 | 35.20 | 50.40 | 34.40 | 58.80 | 33.70 | 67.19 |
| | 1050 | 44.00 | 8.91 | 42.30 | 17.82 | 40.90 | 26.73 | 39.80 | 35.63 | 38.90 | 44.54 | 38.00 | 53.45 | 37.20 | 62.36 | 36.50 | 71.27 |
| | 1110 | 46.70 | 9.42 | 45.00 | 18.83 | 43.70 | 28.25 | 42.60 | 37.67 | 41.60 | 47.09 | 40.70 | 56.50 | 39.80 | 65.92 | 39.20 | 75.34 |
| | 1180 | 49.90 | 10.01 | 48.20 | 20.02 | 46.90 | 30.03 | 45.80 | 40.05 | 44.80 | 50.06 | 43.90 | 60.07 | 43.10 | 70.08 | 42.40 | 80.09 |
| | 1250 | 53.10 | 10.61 | 51.40 | 21.21 | 50.10 | 31.82 | 49.00 | 42.42 | 48.00 | 53.03 | 47.10 | 63.63 | 46.30 | 74.24 | 45.60 | 84.84 |
| | 1320 | 56.30 | 11.20 | 54.60 | 22.40 | 53.30 | 33.60 | 52.20 | 44.80 | 51.20 | 56.00 | 50.30 | 67.19 | 49.50 | 78.39 | 48.80 | 89.59 |
| | 1390 | 59.50 | 11.79 | 57.80 | 23.59 | 56.50 | 35.38 | 55.40 | 47.17 | 54.40 | 58.96 | 53.60 | 70.76 | 52.70 | 82.55 | 51.67 | 94.34 |



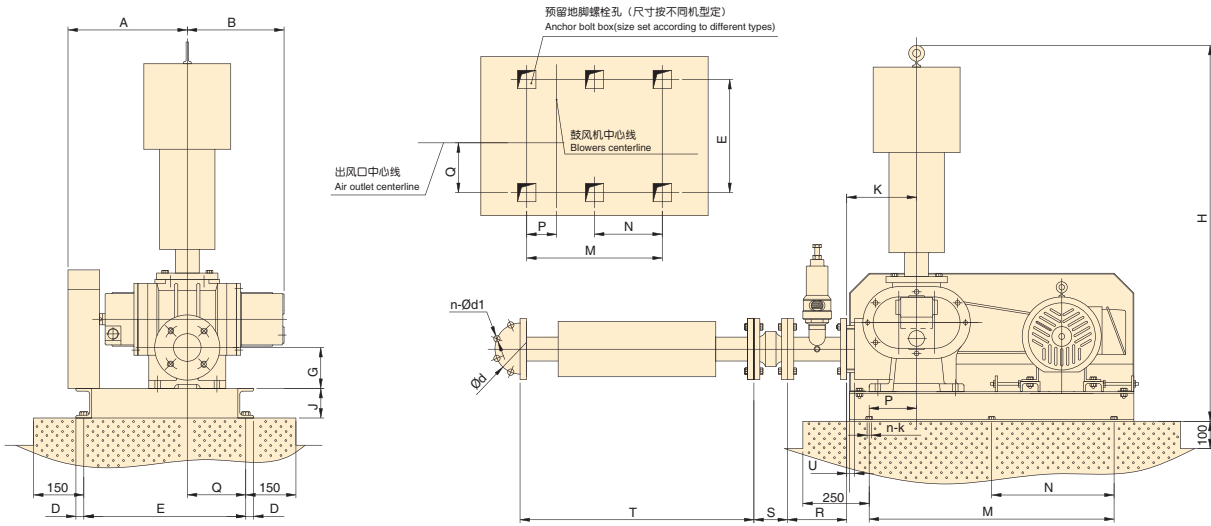
性能参数 Performance parameters

Qs(m³/min) Pressure(mmAq) La(kW)

| 型号 Type | 转速 RPM | 1000mmAq | | 2000mmAq | | 3000mmAq | | 4000mmAq | | 5000mmAq | | 6000mmAq | | 7000mmAq | | 8000mmAq | |
|------------|-----------|----------|--------|----------|--------|----------|--------|----------|--------|----------|--------|----------|--------|----------|--------|----------|--------|
| | | Qs | La | Qs | La | Qs | La | Qs | La | Qs | La | Qs | La | Qs | La | Qs | La |
| GRB-250 | 620 | 33.00 | 7.01 | 31.00 | 14.03 | 29.50 | 21.04 | 28.20 | 28.05 | 27.00 | 35.07 | - | - | - | - | - | - |
| | 660 | 35.50 | 7.47 | 33.50 | 14.93 | 32.00 | 22.40 | 30.60 | 29.86 | 29.50 | 37.33 | 28.40 | 44.80 | - | - | - | - |
| | 700 | 37.80 | 7.92 | 35.90 | 15.84 | 34.30 | 23.76 | 33.00 | 31.67 | 32.00 | 39.59 | 30.90 | 47.51 | - | - | - | - |
| | 740 | 40.30 | 8.37 | 38.40 | 16.74 | 36.80 | 25.11 | 35.50 | 33.48 | 34.30 | 41.86 | 33.30 | 50.23 | - | - | - | - |
| | 780 | 42.80 | 8.82 | 40.70 | 17.65 | 39.20 | 26.47 | 38.00 | 35.29 | 36.80 | 44.12 | 35.80 | 52.94 | 34.80 | 61.76 | - | - |
| | 830 | 45.90 | 9.39 | 43.80 | 18.78 | 42.20 | 28.17 | 41.00 | 37.56 | 39.90 | 46.95 | 38.80 | 56.33 | 37.80 | 65.72 | 37.00 | 75.11 |
| | 880 | 48.90 | 9.95 | 46.90 | 19.91 | 45.30 | 29.86 | 44.10 | 39.82 | 42.90 | 49.77 | 41.90 | 59.73 | 41.00 | 69.68 | 40.00 | 79.64 |
| | 930 | 52.00 | 10.52 | 50.00 | 21.04 | 48.50 | 31.56 | 47.30 | 42.08 | 46.00 | 52.60 | 44.90 | 63.12 | 44.23 | 73.64 | 43.50 | 84.16 |
| | 990 | 55.60 | 11.20 | 53.60 | 22.40 | 52.10 | 33.60 | 50.80 | 44.80 | 49.60 | 56.00 | 48.70 | 67.19 | 47.70 | 78.39 | 46.50 | 89.59 |
| | 1050 | 59.30 | 11.88 | 57.40 | 23.76 | 55.70 | 35.63 | 54.50 | 47.51 | 53.30 | 59.39 | 52.30 | 71.27 | 51.40 | 83.14 | 50.60 | 95.02 |
| | 1110 | 63.00 | 12.56 | 61.00 | 25.11 | 59.40 | 37.67 | 58.10 | 50.23 | 57.00 | 62.78 | 56.00 | 75.34 | 55.00 | 87.90 | 54.20 | 100.45 |
| | 1180 | 67.20 | 13.35 | 65.30 | 26.70 | 63.70 | 40.05 | 62.40 | 53.39 | 61.30 | 66.74 | 60.30 | 80.09 | 59.30 | 93.44 | 58.40 | 106.79 |
| | 1250 | 71.50 | 14.14 | 69.60 | 28.28 | 68.00 | 42.42 | 66.70 | 56.56 | 65.50 | 70.70 | 64.50 | 84.84 | 63.60 | 98.98 | 62.70 | 113.12 |
| | 1320 | 75.80 | 14.93 | 73.90 | 29.86 | 72.30 | 44.80 | 71.00 | 59.73 | 69.80 | 74.66 | 68.80 | 89.59 | 67.90 | 104.52 | 67.10 | 119.46 |
| | 1390 | 80.10 | 15.72 | 78.00 | 31.45 | 76.50 | 47.17 | 75.50 | 62.90 | 74.10 | 78.62 | 73.10 | 94.34 | 72.00 | 110.07 | 71.20 | 125.79 |
| 1480 | 91.10 | 16.74 | 89.40 | 33.48 | 87.90 | 50.23 | 86.40 | 66.97 | 84.90 | 83.71 | 83.70 | 100.45 | 82.10 | 117.19 | 80.70 | 133.94 | |
| GRB-300A | 700 | 51.60 | 10.56 | 49.00 | 21.12 | 46.90 | 31.67 | 45.10 | 42.23 | 43.70 | 52.79 | - | - | - | - | - | - |
| | 850 | 63.90 | 12.82 | 60.70 | 25.64 | 58.00 | 38.46 | 55.90 | 51.28 | 54.10 | 64.10 | 52.30 | 76.92 | - | - | - | - |
| | 1000 | 76.80 | 15.08 | 74.00 | 30.17 | 72.00 | 45.25 | 70.10 | 60.33 | 68.70 | 75.41 | 67.30 | 90.50 | - | - | - | - |
| | 1150 | 90.00 | 17.35 | 86.70 | 34.69 | 84.40 | 52.04 | 82.10 | 69.38 | 80.70 | 86.73 | 78.90 | 104.07 | - | - | - | - |
| | 1300 | 101.60 | 19.61 | 99.00 | 39.22 | 96.90 | 58.82 | 95.10 | 78.43 | 93.50 | 98.04 | 92.20 | 117.65 | - | - | - | - |
| | 1450 | 115.50 | 21.87 | 112.60 | 43.74 | 110.10 | 65.61 | 108.30 | 87.48 | 106.40 | 109.35 | 104.80 | 131.22 | - | - | - | - |
| 1550 | 126.00 | 23.38 | 120.50 | 46.76 | 120.10 | 70.14 | 117.90 | 93.51 | 115.60 | 116.89 | 114.20 | 140.27 | - | - | - | - | |
| GRB-300 | 600 | 71.20 | 14.56 | 68.00 | 29.11 | 65.30 | 43.67 | 62.60 | 58.23 | 60.50 | 72.78 | 58.50 | 85.44 | 56.80 | 99.68 | - | - |
| | 700 | 85.50 | 16.98 | 81.40 | 33.97 | 78.70 | 50.95 | 76.00 | 67.93 | 73.90 | 84.92 | 71.90 | 99.68 | 70.20 | 116.30 | 68.70 | 130.08 |
| | 800 | 98.50 | 19.41 | 94.80 | 38.82 | 92.10 | 58.23 | 89.40 | 77.64 | 87.30 | 97.05 | 85.30 | 113.92 | 83.60 | 132.91 | 82.10 | 148.67 |
| | 900 | 111.50 | 21.84 | 108.20 | 43.67 | 105.60 | 65.51 | 102.90 | 87.34 | 100.80 | 109.18 | 98.80 | 128.16 | 97.10 | 149.53 | 95.60 | 167.25 |
| | 1000 | 124.50 | 24.26 | 121.60 | 48.52 | 118.90 | 72.78 | 116.20 | 97.05 | 114.10 | 121.31 | 112.10 | 142.41 | 110.40 | 166.14 | 108.90 | 185.83 |
| | 1100 | 138.10 | 26.69 | 135.10 | 53.38 | 132.40 | 80.06 | 129.70 | 106.75 | 127.60 | 133.44 | 125.60 | 156.65 | 123.90 | 182.75 | 122.40 | 204.42 |
| | 1200 | 151.70 | 29.11 | 148.50 | 58.23 | 145.80 | 87.34 | 143.10 | 116.46 | 141.00 | 145.57 | 139.00 | 170.89 | 137.30 | 199.37 | 135.80 | 223.00 |
| | 1300 | 165.30 | 31.54 | 162.10 | 63.08 | 159.40 | 94.62 | 156.70 | 126.16 | 154.60 | 157.70 | 152.60 | 185.13 | 150.90 | 215.98 | 149.40 | 241.58 |
| 1400 | 178.02 | 33.97 | 174.57 | 67.93 | 171.66 | 101.90 | 168.75 | 135.87 | 166.49 | 169.83 | 164.34 | 199.37 | 162.51 | 232.60 | 160.89 | 260.17 | |



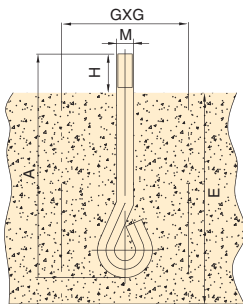
外形尺寸图 (配用卧式出口消音器) Installation dimensions (horizontal outlet silencer)



单位: (mm)

| 型号 Type | A | B | D | E | G | H | J | K | M | N | P | Q | R | S | T | U | Ød | n-Ød1 | 地脚螺栓 n-k |
|------------|-------|-------|----|------|-------|------|-----|-------|------|------|-----|-----|-----|-----|------|----|-----|--------|-------------|
| GRB-40 | 245 | 205 | 25 | 350 | 104 | 731 | 46 | 140 | 500 | - | 98 | 90 | 150 | 95 | 592 | 20 | 110 | 4-Ø18 | 4-M12x160 |
| GRB-50 | 302 | 245 | 20 | 410 | 104 | 906 | 80 | 157 | 620 | - | 119 | 148 | 150 | 105 | 592 | 20 | 125 | 4-Ø18 | |
| GRB-65 | 313 | 275 | 20 | 410 | 104 | 906 | 80 | 152 | 620 | - | 117 | 138 | 150 | 115 | 596 | 24 | 145 | 4-Ø18 | |
| GRB-80 | 406.5 | 300 | 20 | 510 | 106.5 | 1241 | 80 | 180 | 670 | - | 112 | 160 | 180 | 135 | 796 | 24 | 160 | 8-Ø18 | |
| GRB-100 | 442 | 350 | 20 | 560 | 106.5 | 1261 | 100 | 180 | 760 | - | 90 | 233 | 180 | 150 | 796 | 24 | 180 | 8-Ø18 | 4-M16x220 |
| GRB-125A | 440 | 370.5 | 24 | 556 | 134.5 | 1860 | 120 | 250 | 900 | - | 133 | 338 | 250 | 165 | 1260 | 25 | 210 | 8-Ø18 | |
| GRB-125 | 500 | 430.5 | 24 | 556 | 157.5 | 1855 | 120 | 262 | 900 | - | 138 | 278 | 250 | 165 | 1264 | 25 | 210 | 8-Ø18 | |
| GRB-150 | 536 | 484.5 | 24 | 556 | 163.5 | 1880 | 120 | 251.5 | 900 | - | 138 | 212 | 250 | 180 | 1264 | 26 | 240 | 8-Ø22 | |
| GRB-200A | 529 | 460 | 30 | 798 | 198 | 2285 | 160 | 358 | 1300 | 650 | 313 | 454 | 250 | 190 | 1644 | 28 | 295 | 8-Ø22 | 6-M20x300 |
| GRB-200 | 570 | 510 | 30 | 940 | 195 | 2285 | 160 | 345 | 1300 | 650 | 310 | 580 | 250 | 190 | 1644 | 28 | 295 | 8-Ø22 | |
| GRB-250 | 695 | 585 | 30 | 940 | 215 | 2520 | 160 | 360 | 1400 | 700 | 270 | 490 | 250 | 230 | 1748 | 28 | 350 | 12-Ø22 | |
| GRB-300A | 830 | 723 | 35 | 940 | 255 | 2660 | 160 | 356 | 1500 | 750 | 248 | 470 | 300 | 250 | 1848 | 45 | 400 | 12-Ø22 | |
| GRB-300 | 750 | 685 | 35 | 1030 | 300 | 3085 | 250 | 560 | 2000 | 1000 | 321 | 532 | 300 | 250 | 1848 | 45 | 400 | 12-Ø22 | |

地脚螺栓 Anchor bolt



单位: (mm)

| 地脚螺栓 M Anchor bolt GB799-88 | A | H | E | GxG | 适用型号 Application type |
|--------------------------------|-----|----|-----|---------|---------------------------|
| M12 | 160 | 36 | 224 | 100x100 | GRB-40,50,65,80 |
| M16 | 220 | 45 | 275 | 120x120 | GRB-100,125A,125,150 |
| M20 | 300 | 55 | 345 | 150x150 | GRB-200A,200,250,300A,300 |

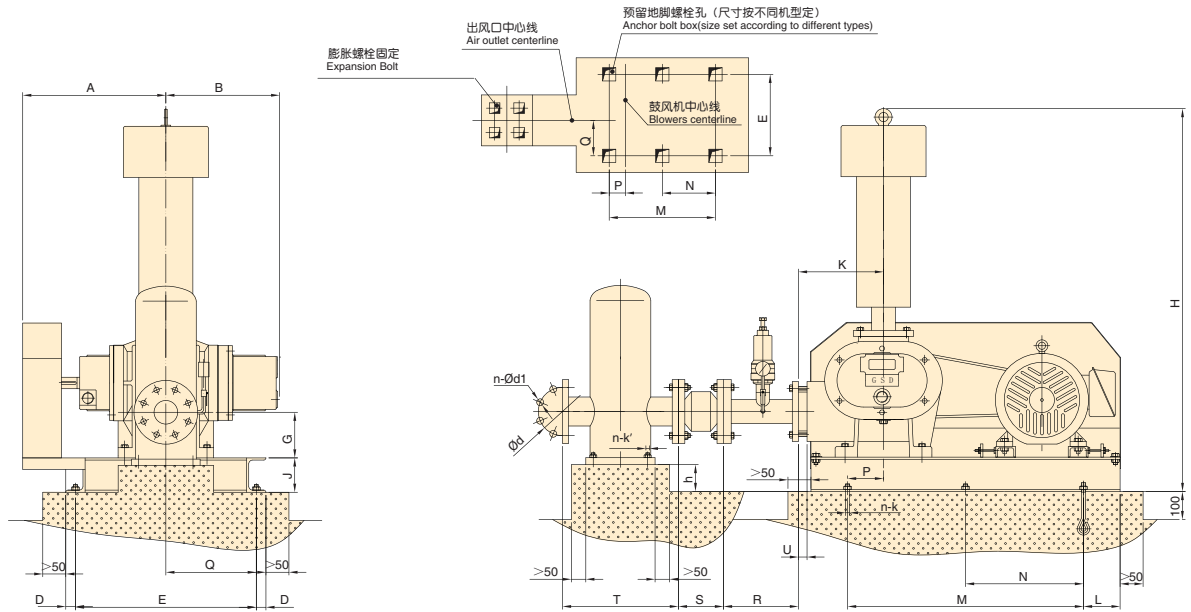
注: 1.图注E为最小尺寸, 根据安装的土壤情况, 应适当加深。
2.GxG为二次浇灌前的预留孔尺寸。

Note: 1. The note E on the drawing is the minimum size, it shall be deepened properly according to the soil condition in the installation place.

2. GxG is the size of the preformed holes for the secondary casting.



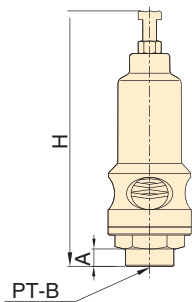
外形尺寸图 (配用立式出口消音器) Installation dimensions (vertical outlet silencer)



单位: (mm)

| 型号 Type | A | B | D | E | G | H | h | J | K | M | N | P | Q | R | S | T | U | Ød | n-Ød1 | 地脚螺栓 n-k | 膨胀螺栓 n-k' |
|------------|-------|-------|----|------|-------|------|-----|-----|-------|------|------|-----|-----|-----|-----|-----|----|-----|--------|-------------|--------------|
| GRB-40 | 245 | 205 | 25 | 350 | 104 | 731 | 30 | 46 | 140 | 500 | - | 98 | 90 | 150 | 95 | - | 20 | 110 | 4-Ø18 | 4-M12x160 | 4-M12x120 |
| GRB-50 | 302 | 245 | 20 | 410 | 104 | 906 | 64 | 80 | 157 | 620 | - | 119 | 148 | 150 | 105 | 300 | 20 | 125 | 4-Ø18 | | |
| GRB-65 | 313 | 275 | 20 | 410 | 104 | 906 | 54 | 80 | 152 | 620 | - | 117 | 138 | 150 | 115 | 350 | 24 | 145 | 4-Ø18 | | |
| GRB-80 | 406.5 | 300 | 20 | 510 | 106.5 | 1241 | 42 | 80 | 180 | 670 | - | 112 | 160 | 180 | 135 | 400 | 24 | 160 | 8-Ø18 | | |
| GRB-100 | 442 | 350 | 20 | 560 | 106.5 | 1261 | 60 | 100 | 180 | 760 | - | 90 | 233 | 180 | 150 | 450 | 24 | 180 | 8-Ø18 | 4-M16x220 | 4-M12x120 |
| GRB-125A | 440 | 370.5 | 24 | 556 | 134.5 | 1860 | 65 | 120 | 250 | 900 | - | 133 | 338 | 250 | 165 | 500 | 25 | 210 | 8-Ø18 | | |
| GRB-125 | 500 | 430.5 | 24 | 556 | 157.5 | 1855 | 88 | 120 | 262 | 900 | - | 138 | 278 | 250 | 165 | 500 | 25 | 210 | 8-Ø18 | | |
| GRB-150 | 536 | 484.5 | 24 | 556 | 163.5 | 1880 | 73 | 120 | 251.5 | 900 | - | 138 | 212 | 250 | 180 | 600 | 26 | 240 | 8-Ø22 | | |
| GRB-200A | 529 | 460 | 30 | 790 | 198 | 2285 | 102 | 160 | 358 | 1300 | 650 | 313 | 454 | 250 | 190 | 672 | 28 | 295 | 8-Ø22 | 6-M20x300 | 4-M12x120 |
| GRB-200 | 570 | 510 | 30 | 940 | 195 | 2285 | 98 | 160 | 345 | 1300 | 650 | 310 | 580 | 250 | 190 | 672 | 28 | 295 | 8-Ø22 | | |
| GRB-250 | 695 | 585 | 30 | 940 | 215 | 2520 | 76 | 160 | 360 | 1400 | 700 | 270 | 490 | 250 | 230 | 750 | 28 | 350 | 12-Ø22 | | |
| GRB-300A | 830 | 723 | 30 | 940 | 255 | 2660 | 200 | 160 | 356 | 1500 | 750 | 248 | 470 | 300 | 250 | 820 | 45 | 400 | 12-Ø22 | | |
| GRB-300 | 750 | 685 | 30 | 1030 | 300 | 3085 | 200 | 250 | 560 | 2000 | 1000 | 321 | 532 | 300 | 250 | 820 | 45 | 400 | 12-Ø22 | | |

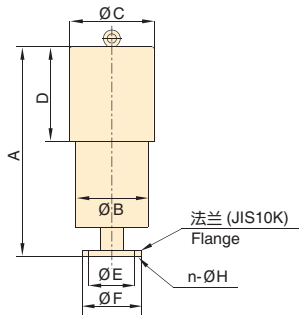
泄压阀 Relief valve



单位: (mm)

| 型号 Type | A | H | 适用机型 Application type | 重量 Weight (kg) |
|------------|----|-----|--------------------------|-------------------|
| SV1 1/4" | 25 | 150 | GRB-40,50,65,80 | 1.6 |
| SV2" | 25 | 180 | GRB-100,125A,125,150 | 2.5 |
| SV3" | 30 | 250 | GRB-200A,200 | 5.0 |
| SV4" | 25 | 316 | GRB-250,300A,300 | 8.5 |

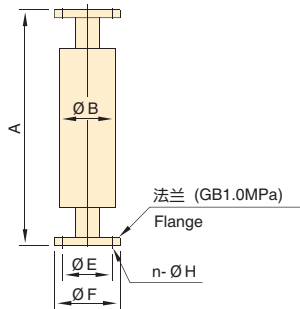
入口消音器 Suction silencer



单位: (mm)

| 型号 Type | A | ØB | ØC | D | ØE | ØF | n-ØH | 重量 Weight (kg) | 适用型号 Application type |
|------------|------|-----|-----|-----|-----|-----|--------|-------------------|--------------------------|
| SS40 | 400 | 140 | 160 | 220 | 105 | 130 | 4-Ø15 | 7.0 | GRB-40 |
| SS50 | 550 | 140 | 160 | 270 | 120 | 155 | 4-Ø18 | 11.0 | GRB-50 |
| SS65 | 550 | 165 | 180 | 270 | 140 | 175 | 4-Ø18 | 14.7 | GRB-65 |
| SS80 | 820 | 210 | 230 | 440 | 150 | 185 | 8-Ø18 | 25.4 | GRB-80 |
| SS100 | 820 | 240 | 275 | 440 | 175 | 210 | 8-Ø18 | 28.0 | GRB-100 |
| SS125 | 1310 | 280 | 315 | 690 | 210 | 250 | 8-Ø22 | 42.0 | GRB-125A GRB-125 |
| SS150 | 1310 | 300 | 345 | 690 | 240 | 280 | 8-Ø22 | 45.3 | GRB-150 |
| SS200 | 1500 | 400 | 460 | 800 | 290 | 330 | 12-Ø22 | 67.8 | GRB-200A GRB-200 |
| SS250 | 1700 | 400 | 480 | 900 | 355 | 400 | 12-Ø22 | 81.2 | GRB-250 |
| SS300 | 1825 | 500 | 600 | 940 | 400 | 445 | 16-Ø22 | 108.0 | GRB-300A GRB-300 |

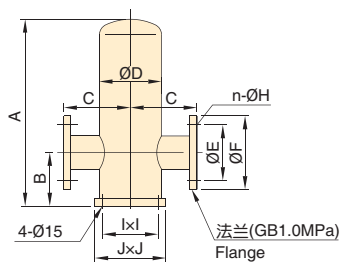
卧式出口消音器 Horizontal outlet silencer



单位: (mm)

| 型号 Type | A | ØB | ØE | ØF | n-ØH | 重量 Weight (kg) | 适用型号 Application type |
|------------|------|-----|-----|-----|--------|-------------------|--------------------------|
| DS40 | 592 | 140 | 110 | 150 | 4-Ø18 | 12.2 | GRB-40 |
| DS50 | 592 | 140 | 125 | 165 | 4-Ø18 | 13.0 | GRB-50 |
| DS65 | 596 | 165 | 145 | 185 | 4-Ø18 | 16.8 | GRB-65 |
| DS80 | 796 | 218 | 160 | 200 | 8-Ø18 | 28.3 | GRB-80 |
| DS100 | 796 | 240 | 180 | 220 | 8-Ø18 | 33.3 | GRB-100 |
| DS125 | 1260 | 280 | 210 | 250 | 8-Ø18 | 45.1 | GRB-125A GRB-125 |
| DS150 | 1264 | 300 | 240 | 285 | 8-Ø22 | 49.1 | GRB-150 |
| DS200 | 1644 | 400 | 295 | 340 | 8-Ø22 | 84.0 | GRB-200A GRB-200 |
| DS250 | 1748 | 400 | 350 | 395 | 12-Ø22 | 97.0 | GRB-250 |
| DS300 | 1848 | 500 | 400 | 445 | 12-Ø22 | 135 | GRB-300A GRB-300 |

立式出口消音器 Vertical outlet silencer

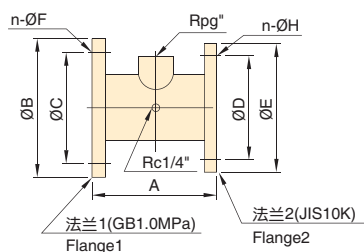


单位: (mm)

| 型号 Type | A | B | C | ØD | ØE | ØF | n-ØH | I | J | 重量 Weight (kg) | 适用型号 Application type |
|------------|------|-----|-----|-----|-----|-----|--------|-----|-----|-------------------|--------------------------|
| VDS40 | 420 | 120 | 150 | 140 | 110 | 125 | 4-Ø18 | 125 | 160 | 18.2 | GRB-40 |
| VDS50 | 420 | 120 | 150 | 140 | 125 | 165 | 4-Ø18 | 125 | 160 | 19.0 | GRB-50 |
| VDS65 | 480 | 130 | 175 | 191 | 145 | 185 | 4-Ø18 | 170 | 210 | 27.0 | GRB-65 |
| VDS80 | 595 | 145 | 200 | 216 | 160 | 200 | 8-Ø18 | 190 | 235 | 36.9 | GRB-80 |
| VDS100 | 660 | 155 | 225 | 267 | 180 | 220 | 8-Ø18 | 230 | 280 | 51.8 | GRB-100 |
| VDS125 | 800 | 190 | 250 | 280 | 210 | 250 | 8-Ø18 | 240 | 300 | 65.9 | GRB-125A GRB-125 |
| VDS150 | 920 | 210 | 300 | 356 | 240 | 285 | 8-Ø22 | 290 | 376 | 99.6 | GRB-150 |
| VDS200 | 1050 | 256 | 325 | 406 | 295 | 340 | 8-Ø22 | 350 | 425 | 131.5 | GRB-200A GRB-200 |
| VDS250 | 1200 | 300 | 375 | 480 | 350 | 395 | 12-Ø22 | 400 | 500 | 184.3 | GRB-250 |
| VDS300 | 1300 | 350 | 410 | 520 | 400 | 445 | 12-Ø22 | 450 | 550 | 243.0 | GRB-300A GRB-300 |



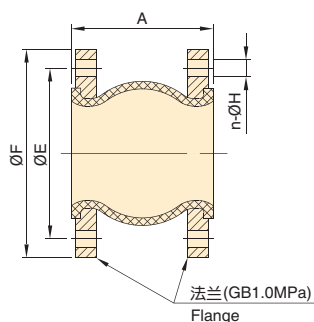
三通管 "T"-joint



单位: (mm)

| 型号 Type | A | ØB | ØC | n-ØF | ØD | ØE | n-ØH | g | 重量 Weight (kg) | 适用型号 Application type |
|---------|-----|-----|-----|--------|-----|-----|--------|----|----------------|-----------------------|
| HJ40 | 150 | 150 | 110 | 4-Ø18 | 120 | 155 | 4-Ø18 | 1¼ | 7.0 | GRB-40 |
| HJ50 | 150 | 165 | 125 | 4-Ø18 | 120 | 155 | 4-Ø18 | 1¼ | 7.3 | GRB-50 |
| HJ65 | 150 | 185 | 145 | 4-Ø18 | 140 | 175 | 4-Ø18 | 1¼ | 9.0 | GRB-65 |
| HJ80 | 180 | 200 | 160 | 8-Ø18 | 150 | 185 | 8-Ø18 | 1¼ | 9.6 | GRB-80 |
| HJ100 | 180 | 220 | 180 | 8-Ø18 | 175 | 210 | 8-Ø18 | 2 | 10.7 | GRB-100 |
| HJ125 | 250 | 250 | 210 | 8-Ø18 | 210 | 250 | 8-Ø22 | 2 | 14.5 | GRB-125A GRB-125 |
| HJ150 | 250 | 285 | 240 | 8-Ø22 | 240 | 280 | 8-Ø22 | 2 | 20.8 | GRB-150 |
| HJ200 | 250 | 340 | 295 | 8-Ø22 | 290 | 330 | 12-Ø22 | 3 | 26.0 | GRB-200A GRB-200 |
| HJ250 | 250 | 395 | 350 | 12-Ø22 | 355 | 400 | 12-Ø22 | 3 | 35.0 | GRB-250 |
| HJ300 | 300 | 445 | 400 | 12-Ø22 | 400 | 445 | 16-Ø22 | 3 | 44.7 | GRB-300A GRB-300 |

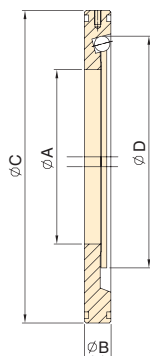
弹性接头 Flexible connector



单位: (mm)

| 型号 Type | A | ØE | ØF | n-ØH | 重量 Weight (kg) | 适用型号 Application type |
|---------|-----|-----|-----|--------|----------------|-----------------------|
| KXT40 | 95 | 110 | 150 | 4-Ø18 | 2.5 | GRB-40 |
| KXT50 | 105 | 125 | 165 | 4-Ø18 | 3.0 | GRB-50 |
| KXT65 | 115 | 145 | 185 | 4-Ø18 | 3.5 | GRB-65 |
| KXT80 | 135 | 160 | 200 | 8-Ø18 | 4.0 | GRB-80 |
| KXT100 | 150 | 180 | 220 | 8-Ø18 | 5.0 | GRB-100 |
| KXT125 | 165 | 210 | 250 | 8-Ø18 | 6.5 | GRB-125A GRB-125 |
| KXT150 | 180 | 240 | 285 | 8-Ø22 | 9.5 | GRB-150 |
| KXT200 | 190 | 295 | 340 | 8-Ø22 | 16.0 | GRB-200A GRB-200 |
| KXT250 | 230 | 350 | 395 | 12-Ø22 | 25.0 | GRB-250 |
| KXT300 | 250 | 400 | 445 | 12-Ø22 | 42.0 | GRB-300A GRB-300 |

逆止阀 Check valve



单位: (mm)

| 型号 Type | ØA | B | ØC | ØD | 重量 Weight (kg) | 适用型号 Application type |
|---------|-----|-----|-----|-------|----------------|-----------------------|
| DCV-50 | 25 | 20 | 104 | 52.7 | 1.1 | GRB-40 GRB-50 |
| DCV-65 | 36 | 24 | 124 | 65.9 | 1.4 | GRB-65 |
| DCV-80 | 46 | 24 | 134 | 78.1 | 1.6 | GRB-80 |
| DCV-100 | 67 | 24 | 159 | 102.3 | 2.3 | GRB-100 |
| DCV-125 | 88 | 25 | 190 | 126.6 | 3.4 | GRB-125A GRB-125 |
| DCV-150 | 108 | 26 | 220 | 151 | 5.0 | GRB-150 |
| DCV-200 | 138 | 28 | 270 | 200 | 10.0 | GRB-200A GRB-200 |
| DCV-250 | 185 | 28 | 335 | 251.4 | 18.0 | GRB-250 |
| DCV-300 | - | 181 | 380 | 300 | 48.0 | GRB-300A GRB-300 |

注: DCV-300型为双瓣式逆止阀, 结构略有不同
Note: DCV-300 is the double flap type check valve, so it's a little difference form others.



如蒙洽询请指示下列各项：

For further details, please fulfill the chart below.

客户：
Customer _____

承办人员：
Undertaker _____

工程名称：
Name of project _____

工程地点：
Address of project _____

电话：
Telephone _____

传真：
Fax _____

| | | | | |
|-------------------------------|---|--|---|---|
| * 用途 Usage | <input type="checkbox"/> 压缩用 Compression | | <input type="checkbox"/> 真空用 Vacuum | |
| * 当地状况 Local condition | 海拔m Elevation | | 最高相对湿度% Max relative humidity | |
| | 当地大气压力(MPa) Local atmospheric pressure | | 最高气温(°C) Max air temperature | |
| * 气体性质 Gas character | 名称 Name | | 温度(°C) Temperature | |
| | 成份 Constituents | | 各组分比例 Ratio of constituent | |
| 风机参数 Blower's parameter | * 风量(m ³ /min) Capacity | | 口径(mm) Diameter | |
| | * 风压(mmAq) Pressure | | 转速(r/min) Speed | |
| 电机参数 Motor's parameter | 型式 Type | | 电压(V) Voltage | |
| | 功率(kW) Power | | 频率(Hz) Frequency | |
| | 极数 Pole | | 其它 Others | |
| 安装位置 Location | <input type="checkbox"/> 室内安装 Indoor install | <input type="checkbox"/> 遮雨棚式室外安装 Camping outdoor install | | <input type="checkbox"/> 其它 Others _____ |
| * 传动方式 Driving mode | <input type="checkbox"/> 皮带传动(标准型) Belt-driven(Standard) | | <input type="checkbox"/> 直联传动 Direct drive | |
| 其它要求 Other requirement | | | | |

备注：1. 以上资料请尽可能完整填写。

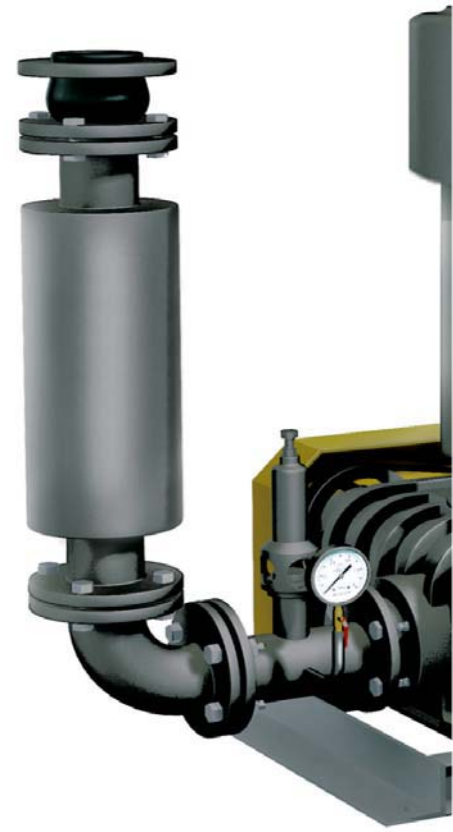
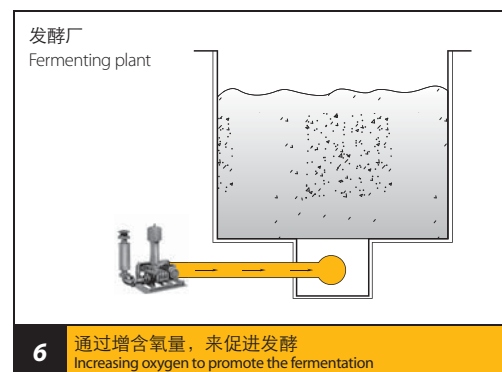
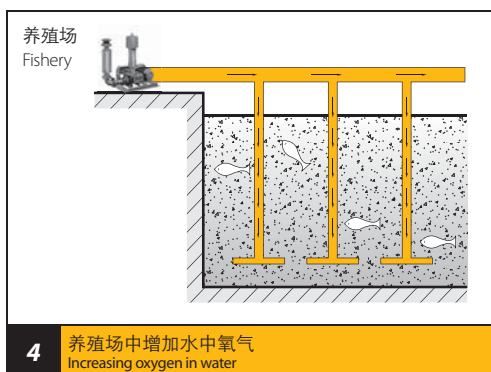
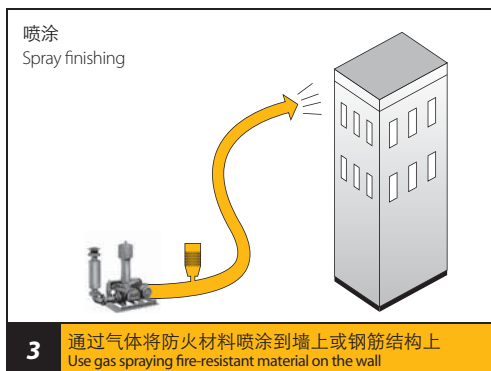
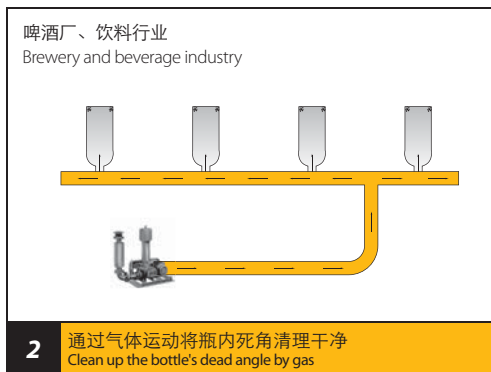
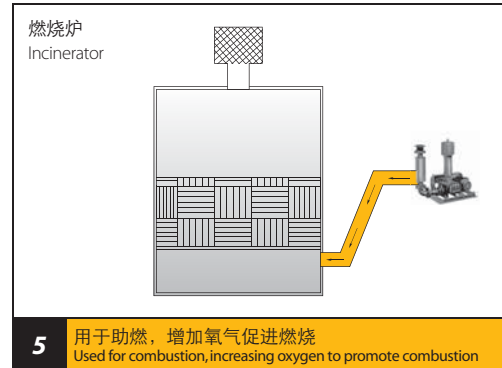
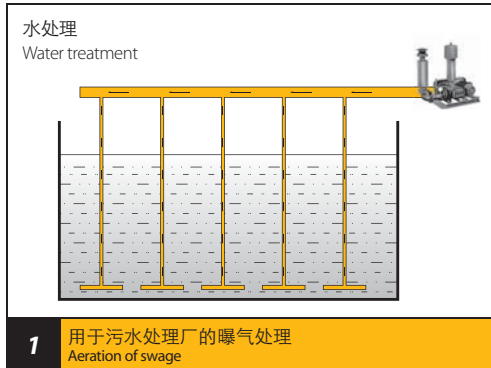
2. 项目前加注“*”者，请务必填写。

Notes: 1. Please fill in the parameter lists as complete as possible.

2. The item with "*" must be filled.



用途说明 Applications





洗车
Car washing

洗车
Car washing

清洗剂 cleaning agent

7 洗车厂通过虹吸现象带动洗车液清洗车辆
Use washing fluid washing car base on siphon principle

管路清理
Pipe clearing

沙粒
grain of sand

9 利用气体吹动沙子或硬质颗粒来冲刷管路
Use gas blowing sand to flush pipes

管路清理
Pipe clearing

电镀行业
Electroplate factory

10 利用气体使液体均匀化，液体与工件充分接触
Stir gas liquid, make its uniformity

电镀行业
Electroplate factory

桑拿
Sauna

桑拿
Sauna

11 做人体按摩，促进血液循环
Do body massage, promote the blood circulation

物料输送
Conveying

物料输送
Conveying

自动下料机
automatic
baiting
machine

12 利用气体运动将物料输送
Use gas conveying materials

造纸厂
Paper mill

造纸厂
Paper mill

纸张 paper

8 纸张被吹起后，机械手臂使其搬运
The mechanical arm carries the paper after it has been rised by the wind



欢迎索取以下产品型录



泵系列

- 潜水泵系列
- 陆上泵系列
- 特种泵系列
- 消防泵系列



搅拌推流系列

- 搅拌机系列
- 推流器系列



供氧曝气系列

- 曝气机系列
- 曝气盘系列
- 曝气管系列



风机系列

- 三叶罗茨鼓风机系列
- 增压罗茨鼓风机系列



污泥处理设备 及其他

- 固液分离系列
- 泡药设备
- 输送设备