



ELECTRIC CONTROL ACTUATOR



UNIMECH ENGINEERING GROUP (THAILAND) CO.,LTD

Add:68/60 Moo 5 Kingkaew Road, T.Rachatewa A.Banglee, Samutprakarn 10540, Thailand.

Tel:(662) 7388640-6,(662) 7388730-7

<http://www.unimechgroups.com>

AHQ Electric Actuator

©2012 arita technology copyright ♻️ Ecology protection



SUMMARY

"AHQ" series electric actuator is used for controlling 0°~270° rotation of the valves and other similar products, such as butterfly valve, ball valve, damper, flapper valve, cock valve etc. It widely applies to petroleum, chemical, water treatment, shipping, paper making, power plant, heating, light industry and other industries. Drived by 380V/220V/110VAC power or 24V/110VDC power, inputs 4-20mA or 0-10VDC control signal, moves valve to the right position, and achieves to automatic control, maximum output torque is 5000N.M.

PERFORMANCE PARAMETER

Model	Max Output Torque	Operating Time 60/50Hz	Max Drive Shaft Size	F-class Motor	Rated Curee Phases				Handwheel Revolution	Weight
					Single Phase		Three Phase			
	N-M	90°(S)	mm	w	110v	220v	380v	440v	N	(kg)
AHQ-005	50	18/22	φ20	20	1.10/0.95	0.55/0.54	0.3/0.3	N/A	10	7.5
AHQ-008	80	18/22	φ20	20	1.10/0.95	0.55/0.54	0.3/0.3	N/A	10	7.5
AHQ-010	100	18/22	φ20	20	1.10/0.95	0.55/0.54	0.3/0.3	N/A	10	7.5
AHQ-015	150	21/25	φ22	40	1.65/1.67	0.88/0.84	0.31/0.31	0.30/0.31	11	17.3
AHQ-020	200	21/25	φ22	40	1.67/1.67	0.89/0.85	0.31/0.31	0.30/0.31	11	17.3
AHQ-030	300	26/31	φ35	90	1.85/1.86	0.92/0.92	0.35/0.35	0.34/0.34	13.5	22
AHQ-050	500	26/31	φ35	90	3.60/3.62	1.55/1.58	0.59/0.59	0.58/0.58	13.5	23
AHQ-060	600	26/31	φ45	120	3.65/3.62	1.60/2.20	0.60/0.59	0.59/0.58	13.5	23
AHQ-080	800	31/37	φ45	180	4.10/4.10	2.15/2.20	0.85/0.85	0.79/0.79	16.5	29
AHQ-120	1200	31/37	φ45	180	4.20/4.10	2.35/2.30	0.87/0.87	0.81/0.81	16.5	29
AHQ-150	1500	78/93	φ45	180	4.20/4.10	2.15/2.20	0.85/0.85	0.79/0.79	49.5	83
AHQ-200	2000	93/112	φ45	180	4.10/4.10	2.15/2.20	0.85/0.85	0.79/0.79	49.5	83
AHQ-300	3000	93/112	φ45	180	4.20/4.10	2.35/2.30	0.87/0.87	0.81/0.81	49.5	83
AHQ-400	4000	155/185	φ45	180	4.20/4.10	2.35/2.30	0.87/0.87	0.81/0.81	82.5	83
AHQ-500	5000	155/185	φ45	180	4.20/4.10	2.35/2.31	0.87/0.87	0.81/0.81	82.5	83

TECHNICAL PARAMETER

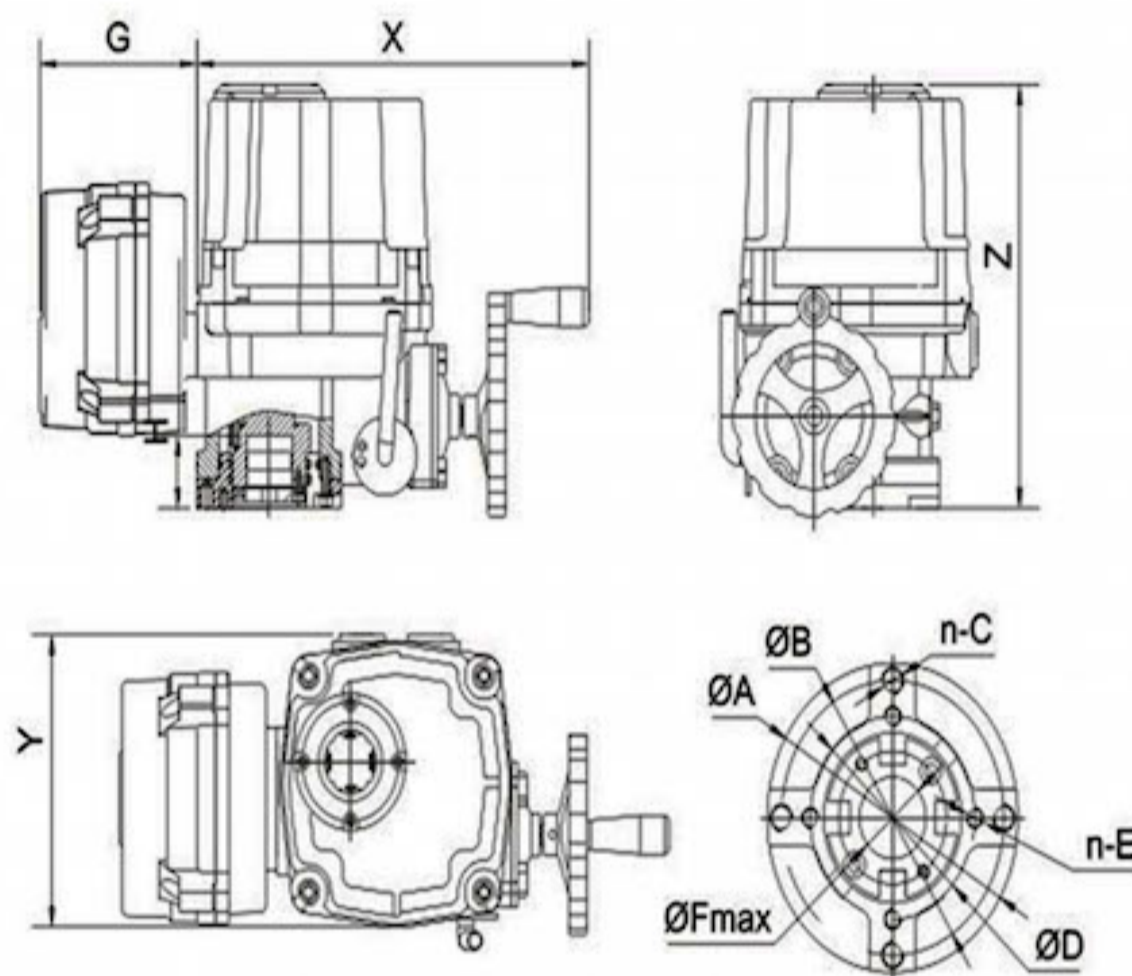
Shell	Enclosure : IP67,N4,NEMA4,Exd II CT5
Power	Standard : 220VAC/1ph Optional : 110VAC/1ph,380V/440V3ph,50/60HZ,±10% 24VDC/110VDC/220VDC
Motor	Asynchronous motor
Limit switch	2xOpen/close,SPDT,250VAC 10A
Auxilliary limit switch	2xOpen/close,SPDT,250VAC 10A
Torque switch	Close/Open,each 1 , SPDT,250VAC 10A ExceptAHQ-005/008/010
Traver	90°±10° 0°~270°
Fail safe/ Operating temperature	Internal-place thermal protection, Open 115°C ± 5°C/Close97°C ±5°C
Indicator	Continuous position indicator
Manual operate	Declutching mechanism, operate by handwheel
Self-locking device	Self-locking by worm and worm gear
Mechanical limit	2 x external adjustable stopper
Space heater	7-10W(110V220VAC)
Conduit entry	2xPF 3/4"
Ambient temperature	-20°C ~ +70°C
Lubrication	Grease moly(EP type)
Material	Steel,Aluminium alloy,Aluminium bronze,Ploycarbonate
Ambient humidity	Max 90% RH A1Non-Condensing
Anti-vibration	X Y Z 10g.2.0 ~34 Hz,30 minutes
External coating	Dry powder,Epoxy ployester,high anti-corrosion

AHQ Electric Actuator Series

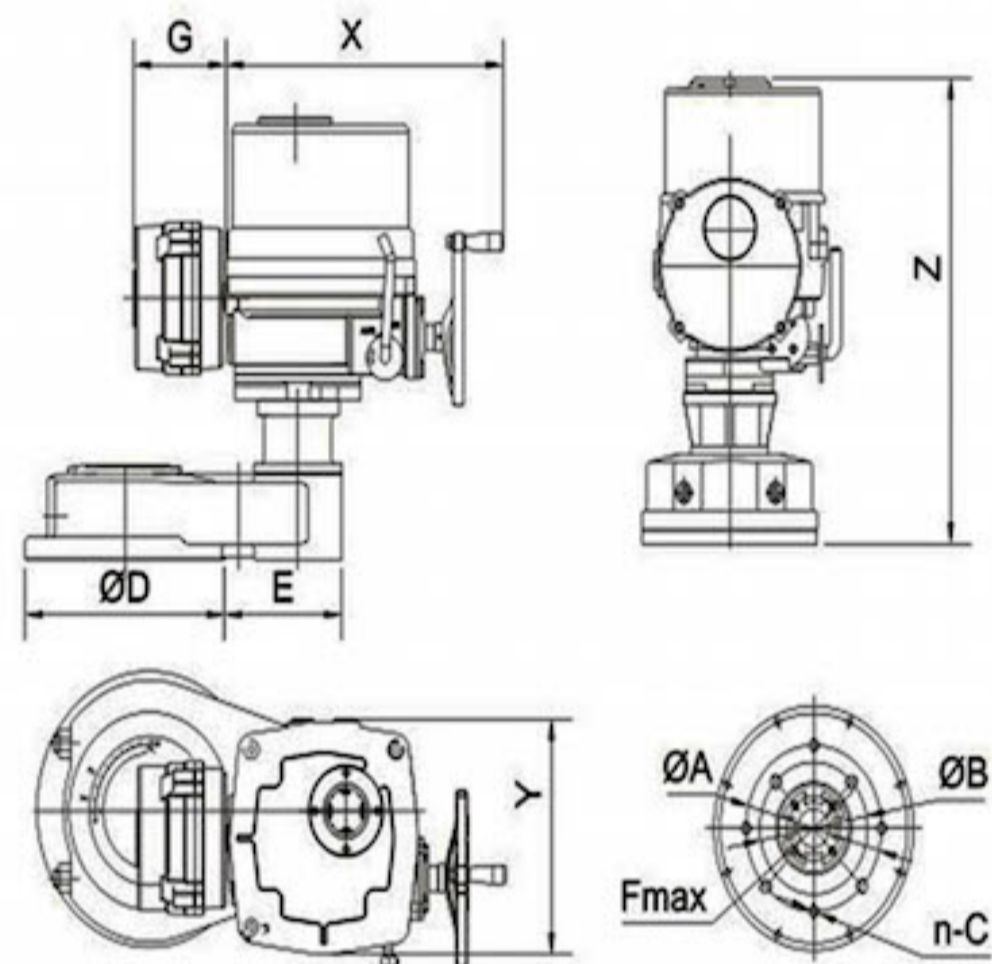
EXPLOSION-PROOF SERIES

GENERAL DRAWING

AHQ-005 - AHQ-080



AHQ-120 - AHQ-500



Model	x	y	z	A	B	N-C	D	N-E	F	G	H
AHQ-005	270	161	233.5	Φ90	Φ70	4-M8			Φ20	140	40
AHQ-008	270	161	233.5	Φ90	Φ70	4-M8			Φ20	140	40
AHQ-010	270	161	233.5	Φ90	Φ70	4-M8			Φ20	140	40
AHQ-015	351	226	270	Φ125	Φ102	4-M10	Φ70	4-M8	Φ22	140	45
AHQ-020	351	226	270	Φ125	Φ102	4-M10	Φ70	4-M8	Φ22	140	45
AHQ-030	358	240	290	Φ150	Φ125	8-M12	Φ102	4-M10	Φ35	140	55
AHQ-050	358	240	290	Φ150	Φ125	8-M12	Φ102	4-M10	Φ35	140	55
AHQ-060	410	240	290	Φ150	Φ125	8-M12	Φ102	4-M10	Φ35	140	55
AHQ-080	410	276	335	Φ180	Φ140	8-M16	Φ125	8-M12	Φ45	140	65
AHQ-120	410	276	335	Φ180	Φ140	8-M16	Φ125	8-M12	Φ45	140	65
AHQ-150	410	276	335	Φ165	Φ140	8-M16	Φ285	147	Φ45		
AHQ-200	410	276	335	Φ165	Φ140	4-M16-M20	Φ285	147	Φ45		
AHQ-300	410	276	335	Φ165	Φ140	4-M16-M20	Φ285	147	Φ45		
AHQ-400	410	276	335	Φ165	Φ140	4-M16-M20	Φ285	147	Φ45		
AHQ-500	410	276	335	Φ165	Φ140	4-M16-M20	Φ285	147	Φ45		