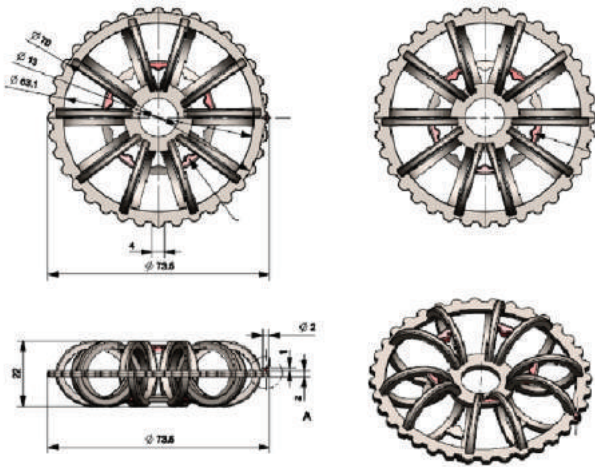


# PACKING MEDIA



## ■ Specification of packing media

Packing Type	: Plastic
Material	: PP(Polypropylene)
Void Ratio	: 96 %
Dimension	: 70 x 23 mm.(Dia.H.)
Surface Area	: 105 Sq.m./ Cu.m.
Quantity	: 6,000 Pcs/ Cu.m.
Bulk Density	: 90 Kg./ Cu.m.

Packing media with low pressure drop and very good mass transfer performance for

- Extraction and removal of gas
- Absorption and stripping of gas
- Pulling down of smoke and dust
- Aerobic & Anaerobic filter
- Bio-Contact Aeration
- Wet scrubber
- Etc.