



Recorder



Flow



Pressure



Temp



Analyzer



Level

Datasheet
COD Sensor
GOT-ADS2000



SENSTEX

Committed to process automation solution

<https://gotcorp.co.th>

Datasheet**COD Sensor
GOT-ADS2000**

Self-cleaning COD sensor is based on the UV absorption principle, does not need reagents, will not cause pollution, more environmental protection; Integrated self-cleaning brush, easy to install and use, even long-term online monitoring still has excellent stability.

Parameters**Applications**

- Domestic sewage
- Plastics industry
- Surface water
- Underground pipe networks
- Food & Pharmaceuticals
- Aquaculture water

Features

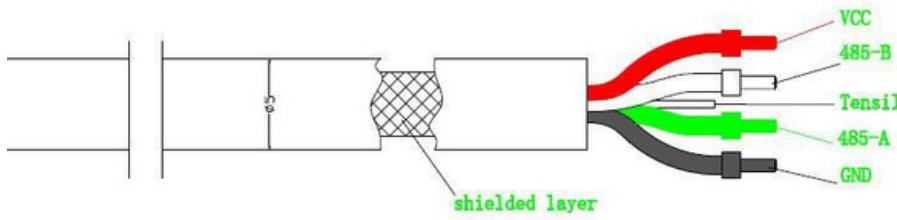
- Digital RS-485 output, Modbus protocol
- Proven UVC LED technology, long lifetime, stable and instant measurement
- Measurement of parameters such as COD, TOC, turbidity and temperature
- With self-cleaning brushes to prevent biological adhesion and longer maintenance intervals

**COD Sensor**

Parameter			
Sensor type	Regular small range	Conventional larger range	Economy
Light source	Imported UV 254 nm LED with 550 nm turbidity compensation	Imported UV254 nm LED, 550nm turbidity compensation	UV 275 nm LED with 550 nm turbidity compensation
Measuring range	(0~500)mg/L equiv.KHP	(0~1500)mg/L equiv.KHP	(0~500)mg/L equiv.KHP
Accuracy	±5%		
Temperature measuring range	(0~50) °C		
Communication output	RS485, Modbus protocol		
Power supply	(12~24)VDC, ≥1A		
Power consumption	No cleaning brush activated: power consumption ≤ 0.25W Start cleaning brush: power consumption ≤ 1W (conventional small range, economic models) power consumption ≤ 1.8W (conventional large range)		
Process pressure	≤ 0.3MPa		
Sensor size Cable length	Φ50mm*179mm 10m (default), customizable	Φ50mm*179mm	Φ46mm*176m m

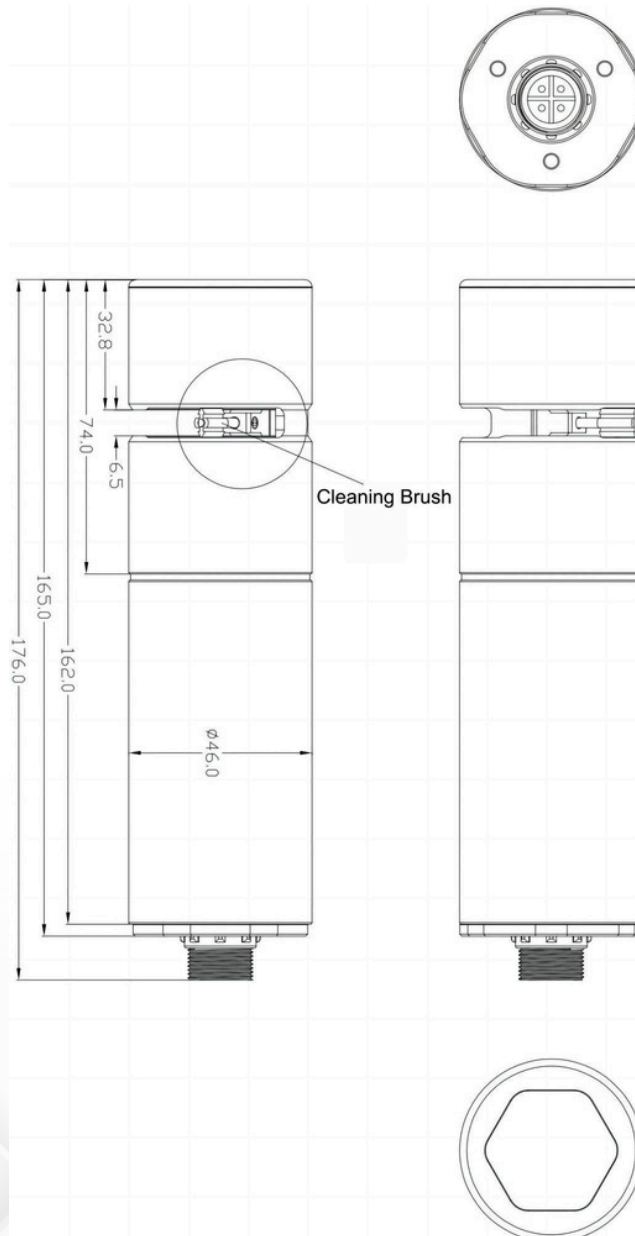
Wiring

4 wire AWG-24 OR AWG-26 shielding wire. OD=5.5mm



- 1, Red—Power (VCC)
- 2, White—485 Date_B (485_B)
- 3, Green—485 Date_A (485_A)
- 4, Black—Ground (GND)

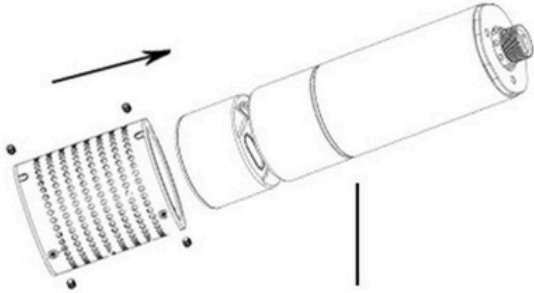
Dimension



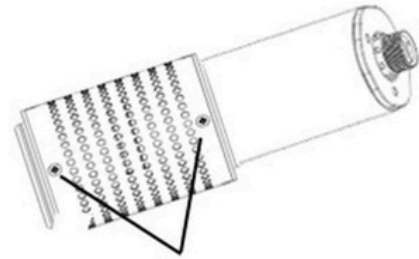
Installation

Protective cover installation:

After unpacking of the sensor, install a protective probe cover onto the sensor, as shown in the figure below (4 screws on the cover shall be tightened).



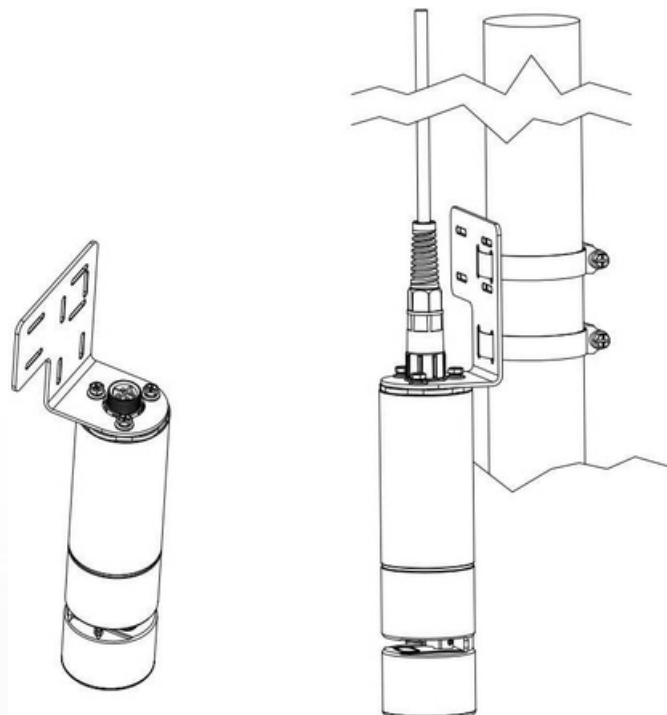
Loose 4 screws on the protection cover, and then slid the cover on the sensor gap.



Tighten the screws to complete installation

Fixed installation on site

It is suggested to carry out a fixed installation in the following two ways as shown in Figure (1) and Figure (2).



Elbow installation in Figure (1) is good for environment with no rapid water flow and less debris.

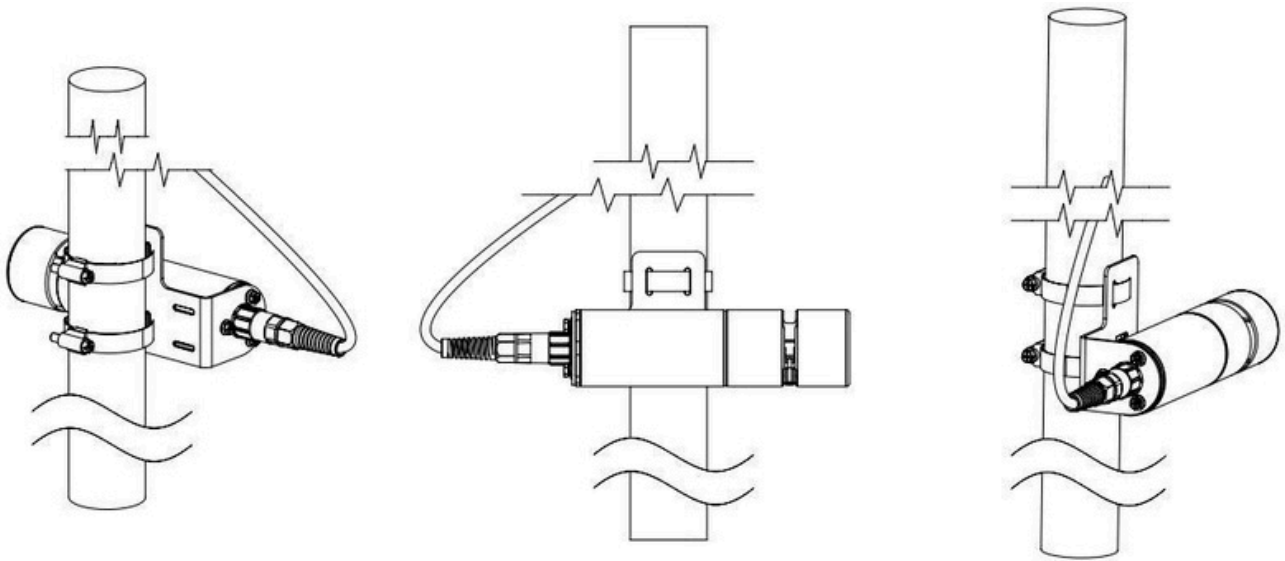


Fig. (2) is an illustration for plate installation, which provide a stable installation in rapid water

Ordering code

GOT-ADS2000		Description	
GOT-ADS2000	- - - - -		
Type	A B C		(0-500) mg/L, Light Source: UV 275nm LED (0-500) mg/L, Imported Light Source: UV 254nm LED (0-1500) mg/L, Imported Light Source: UV 254nm LED
Output	A		RS485
Powersupply	B		12VDC(12-24VDC)
Cable Length	10		10m
	20		20m
	30		30m
	XX		Other
Housing Material	M3		SS316L
	T1		Titanium(Suitable for seawater)



Great Oriental Corporation Co., Ltd.

02 408 8661-2

062 665 9797 / 088 790 4383

061 175 4646

saleteam1@gotcorp.co.th

saleteam2@gotcorp.co.th

www.gotcorp.co.th

www.wastex.co.th

